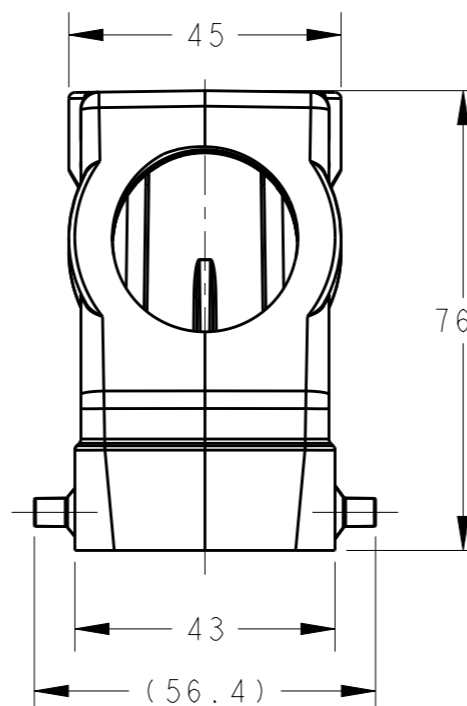
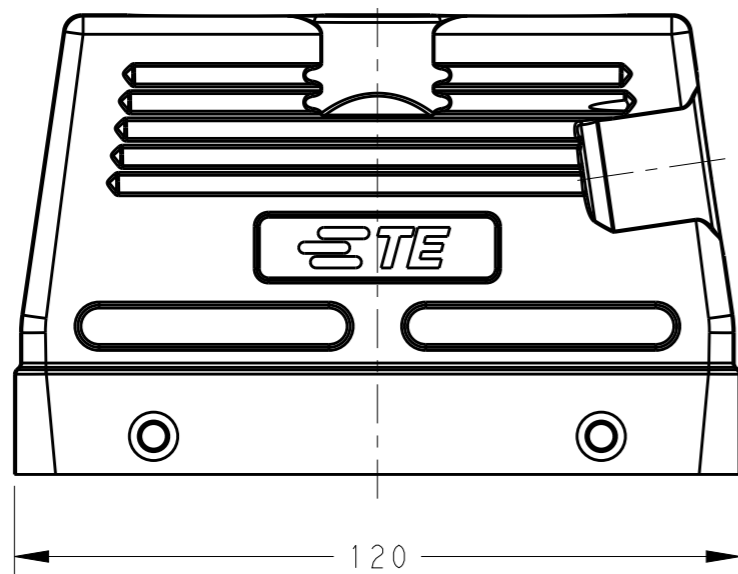


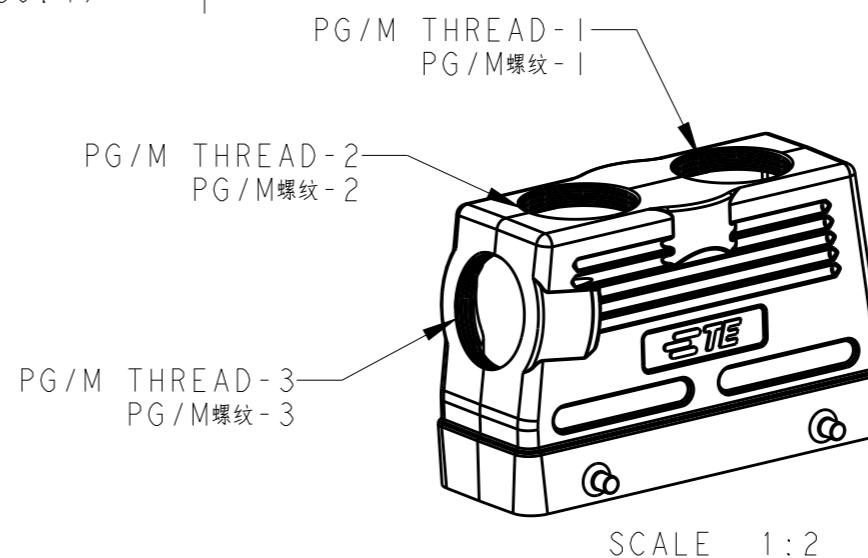
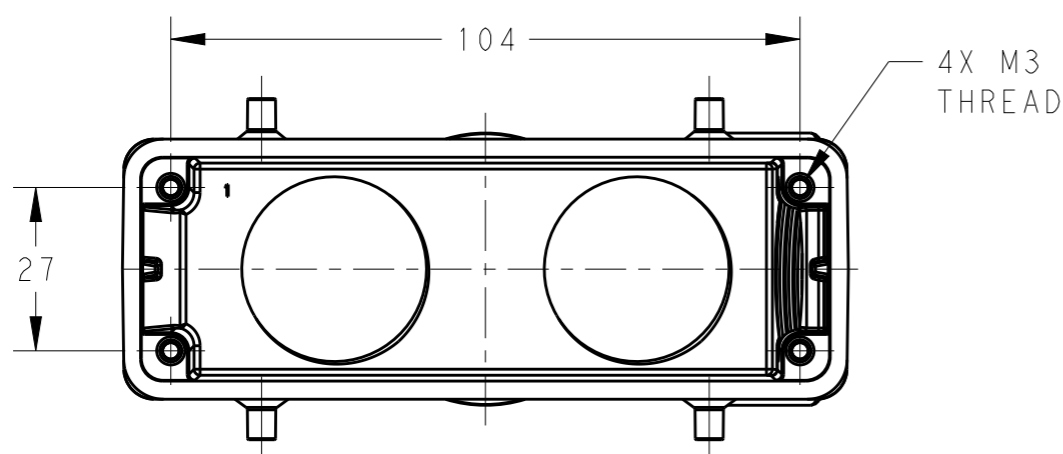
REVISIONS

P	LTR	DESCRIPTION	DATE	DWN	APVD
	A	INITIAL	01JUN2015	DW	CW
	A1	ECR-16-001431	31JAN2016	OY	CW



NOTES:
 1. TECHNICAL CHARACTERISTICS:
 HOOD MATERIAL: DIE CAST ALUMINIUM ALLOY
 SURFACE: POWDER COATED, GREY
 OPERATION TEMPERATURE: -40-+125°C
 DEGREE OF PROTECTION: IP65 (MATED)

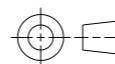
注释:
 1. 技术参数:
 上壳材料: 铝合金
 表面处理: 粉末涂层, 灰色
 工作温度: -40-+125°C
 防护等级: IP65(配合)



T1190240232-320	H24B-TGH/TSH-2M32/M32 H24B上壳 顶出2M32, 侧出M32, 4耳, 高结构	M32	M32	M32	HIGH CONSTRUCTION 高结构
T1190242032-000	H24B-TGH/TSH-2M32/M20 H24B上壳 顶出2M32, 侧出M20, 4耳, 高结构	M32	M32	M20	
T1190241632-000	H24B-TGH/TSH-2M32/M16 H24B上壳 顶出2M32, 侧出M16, 4耳, 高结构	M32	M32	M16	
ASSEMBLY PART NUMBER 成品料号	ASSEMBLY PART DESCRIPTION 成品描述	PG/M THREAD-1 PG/M螺纹-1	PG/M THREAD-2 PG/M螺纹-2	PG/M THREAD-3 PG/M螺纹-3	TYPE 类型

THIS DRAWING IS A CONTROLLED DOCUMENT.

DIMENSIONS:
mm



TOLERANCES UNLESS OTHERWISE SPECIFIED:

0 PLC	±-
1 PLC	±-
2 PLC	±-
3 PLC	±-
4 PLC	±-
ANGLES	±-

MATERIAL

FINISH

DWN 01JUN2015

David Wang

CHK 01JUN2015

Chris Wang

APVD 01JUN2015

Xiang Xu

PRODUCT SPEC

108-137013

APPLICATION SPEC

114-137013

WEIGHT

-

Customer Drawing



TE Connectivity

NAME
H24B-TGH/TSH-2M/M

SIZE	CAGE CODE	DRAWING NO	RESTRICTED TO
A3	00779	©-T119024XX32XX0	-

SCALE	SHEET	OF	REV
4:5	1	1	A1