

THIS DRAWING IS UNPUBLISHED.

RELEASED FOR PUBLICATION

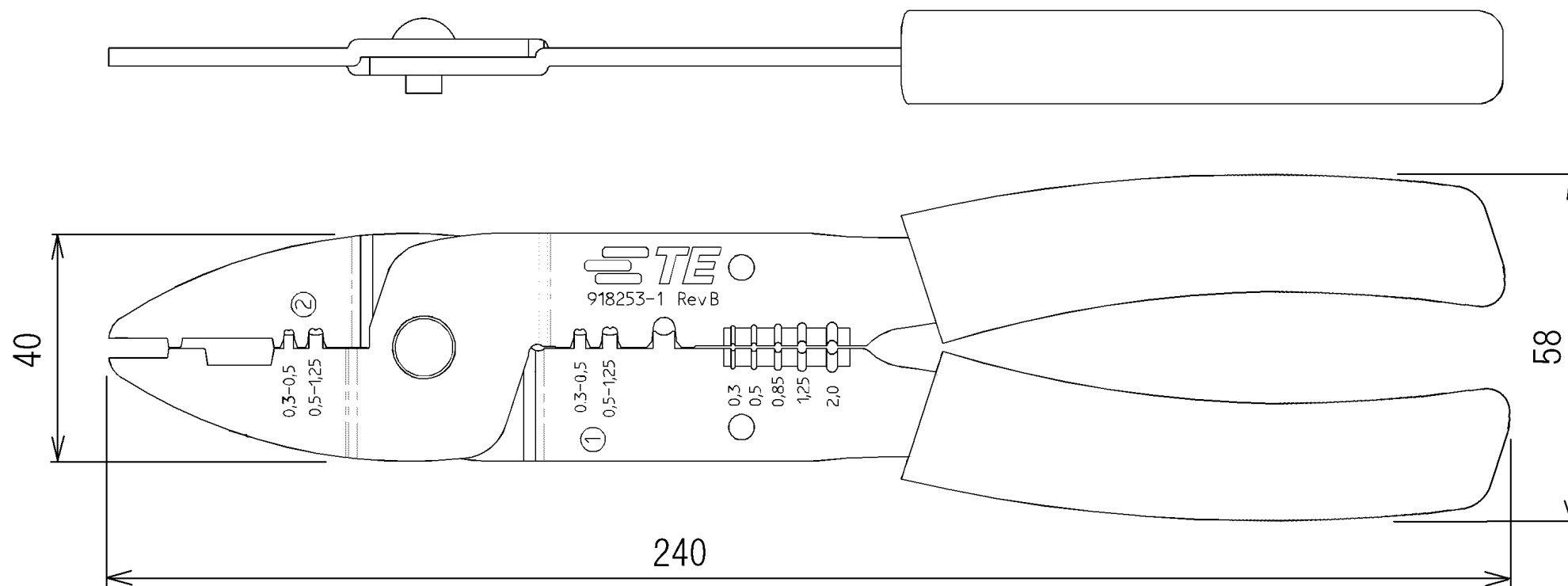
-. .


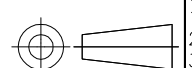
© COPYRIGHT - By Tyco Electronics Japan G.K.

ALL RIGHTS RESERVED.

LOC	DIST	REVISIONS					
J	-	P	LTR	変更 DESCRIPTION	DATE	DWN	APVD
		A		ECR-11-017331	20AUG2011	S.N	J.K

工具型番 (Tool P/N) : 918253-1
 適用端子 (Applicable Terminal) : 171699-1, 173600-1, 173706-1, 173707-1
 取扱説明書 (Instruction Sheet) : 411-5588 (Was IS-588J)



THIS DRAWING IS A CONTROLLED DOCUMENT.		DWN	K.KOMURO	15MAY1992	 TE Connectivity
DIMENSIONS: 単位: 耗 mm		CHK	K.KOMURO	15MAY1992	
		APVD	H.ABE	15MAY1992	
TOLERANCES UNLESS OTHERWISE SPECIFIED: 一般公差		PRODUCT SPEC 製品規格		NAME 名称	
0 PLC ± - 1 PLC ± - 2 PLC ± - 3 PLC ± - 4 PLC ± - ANGLES ± -		APPLICATION SPEC 取付適用規格		070 EJ II (+) 用スーパーチャンプ (SUPER CHAMP FOR 070 EJ II(+))	
MATERIAL 材料	FINISH 仕上	WEIGHT	SIZE		RESTRICTED TO
-	-	-	A3	CAGE CODE 00779	-
CUSTOMER DRAWING		DRAWING NO 番号 G-918253		SCALE 尺度	
				SHEET 1 OF 1	
				REV A	