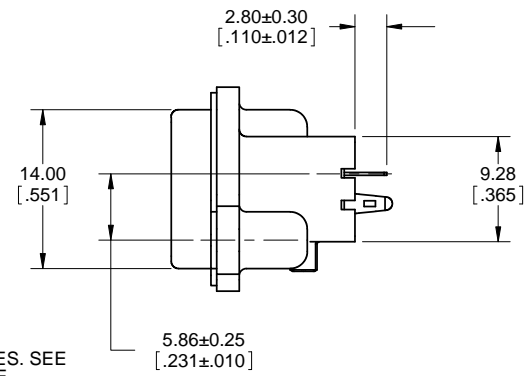
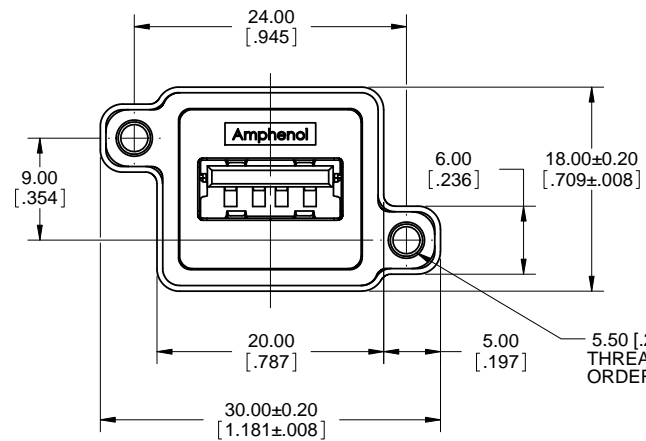


REVISIONS			
REV.	DESCRIPTION, ECN, EAR NO.	DATE	APPROVED
G	PRODUCT DRAWING (EAR 13897)	JUN27/11	K.L.



**ORDERING CODE: M U S B - A 5 1 1 - X X**

SERIES, RUGGED USB

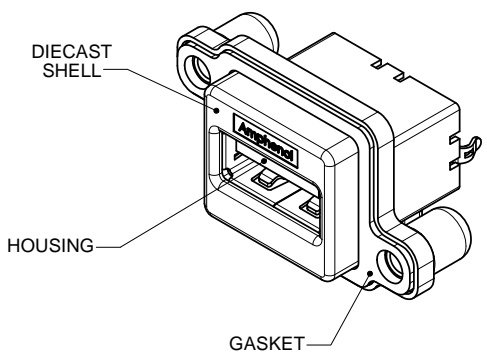
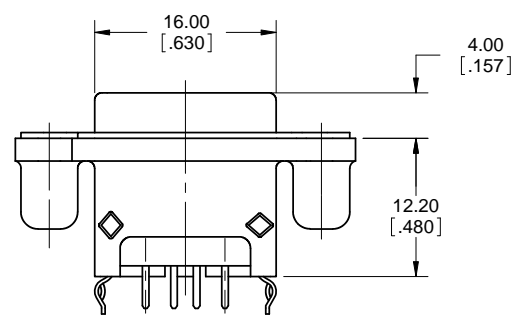
USB SERIES 'A' RECEPTACLE, VERTICAL, PCB TAIL

THREAD OPTION  
 0=#4-40 UNC THREAD  
 M=M3 x 0.5 THREAD  
 N= M3 x 0.5 THREAD

NOTE: THERE IS NO DIFFERENCE BETWEEN THREAD OPTIONS 'M' AND 'N'. USE OF 'N' IS PREFERRED

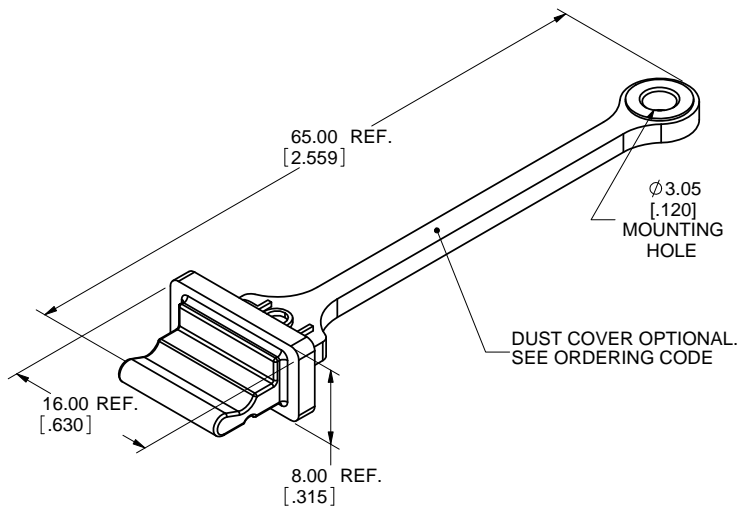
DUST COVER OPTION  
 0=NO DUST COVER SUPPLIED  
 1=WITH GREY DUST COVER SUPPLIED  
 5=WITH BLACK DUST COVER SUPPLIED

**SPECIAL CONNECTORS:**  
 MANY UNIQUE FEATURES MAY BE READILY AVAILABLE TO SUIT CUSTOMER REQUIREMENTS. CONSULT WITH AMPHENOL CANADA FOR DETAILS.



**NOTES:**

- MATERIAL:**  
 ALL MATERIALS ARE RoHS COMPLIANT PER EU DIRECTIVE 2002/95/EC AND AMENDMENTS
  - OUTER SHELL - DIECAST ZINC, NICKEL PLATED
  - CONTACTS - COPPER ALLOY WITH 30 MICROINCHES (0.76 MICRONS) GOLD OVER 50 MICROINCHES (1.27 MICRONS) MINIMUM NICKEL ON THE MATING AREA AND TIN ON THE CONTACT TAILS.
  - USB HOUSING - ENGINEERING THERMOPLASTIC, HIGH TEMPERATURE RESISTANT, UL FLAMMABILITY RATING 94V-0, COLOUR: BLACK
  - UBS SHIELD: COPPER ALLOY, NICKEL PLATED
  - GASKET - SILICONE RUBBER, BLACK
  - DUST COVER - SILICONE RUBBER WITH NICKEL PLATED, COPPER ALLOY BUSHING
- ENVIRONMENTAL PERFORMANCE PER IEC 60529 CODE IP67 FOR SEAL BETWEEN MATING AREA AND PCB SIDE OF CONNECTOR. GASKET PROVIDES SEAL TO INSIDE FACE OF ENCLOSURE PANEL. AVAILABLE DUST COVER PROVIDES ADDED PROTECTION.
- CURRENT RATING: 1.5 AMPERES
- CONTACT RESISTANCE: 30 MILLIOHMS MAXIMUM
- OPERATING TEMPERATURE: -40C TO +105C
- DUST COVERS MAY BE ORDERED SEPERATELY. SPECIFY
  - MUSB-2A111-014BP FOR GREY DUST COVER
  - MUSB-2A111-024BP FOR BLACK DUST COVER
 SEE PAGE 2 FOR APPLICATION VIEW.

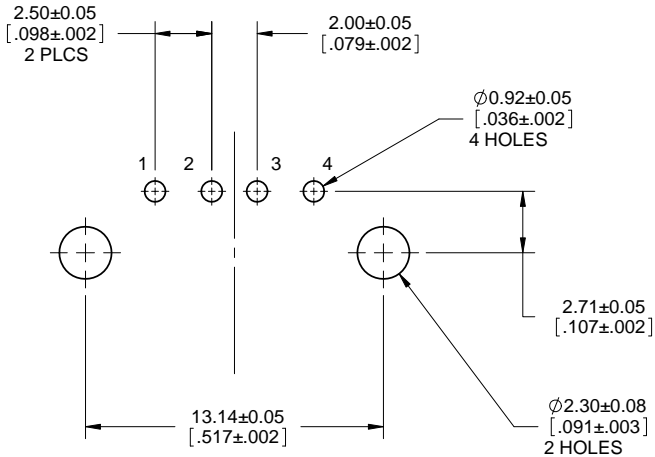


UNLESS SPECIFIED OTHERWISE	DRAWN	S.SEMENOV	DEC13/05
PRIMARY UNITS	MILLIMETERS	CHECKED	S.SEMENOV
SECONDARY	INCHES	M.E. APP'D	
REFERENCE IN PARENTHESES		Q.A. APP'D	
GENERAL TOLERANCES	DWG APPR.	K.BOUTROS	DEC13/05
1 DECIMAL PLACE	ENG. REL. NO.		
2 DECIMAL PLACES	REF.		
3 DECIMAL PLACES	THIRD ANGLE PROJECTION		
ANGULAR DEGREES	DO NOT SCALE DRAWING		

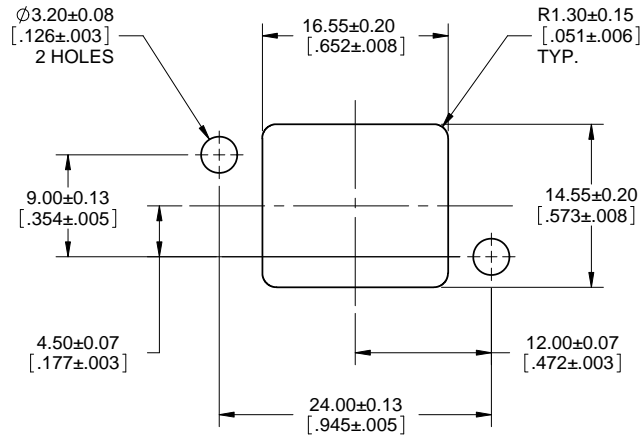
<b>Amphenol Canada Corp.</b>	
MUSB SERIES RUGGED USB RECEPTACLE, SERIES 'A' INTERFACE, VERTICAL PCB MOUNT, RoHS COMPLIANT	
DWG. NO.	REV
<b>P-MUSB-A511-XX</b>	<b>G</b>
CODE ID NO. 03554	DWG SIZE: C SCALE: 3:1 SHEET 1 OF 2

THIS DOCUMENT CONTAINS PROPRIETARY INFORMATION AND SUCH INFORMATION MAY NOT BE DISCLOSED TO OTHERS FOR ANY PURPOSE OR USED FOR MANUFACTURING PURPOSES WITHOUT WRITTEN PERMISSION FROM AMPHENOL CANADA CORP.

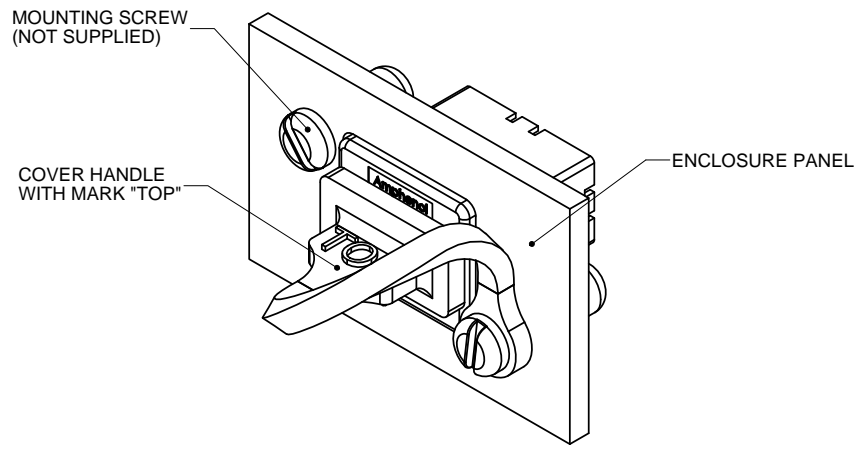
REVISIONS			
REV.	DESCRIPTION, E.C.N., EAR NO.	DATE	APPROVED
G	PRODUCT DRAWING (EAR 13897)	JUN27/11	K.L.



**RECOMMENDED PCB LAYOUT**



**RECOMMENDED PANEL CUTOUT  
(OUTSIDE FACE OF PANEL)**



**DUST COVER APPLICATION**



UNLESS SPECIFIED OTHERWISE	DRAWN	S.SEMENOV	DEC13/05
PRIMARY UNITS	MILLIMETERS	CHECKED	S.SEMENOV
SECONDARY	INCHES	M.E. APP'D	
REFERENCE IN PARENTHESES		Q.A. APP'D	
GENERAL TOLERANCES	DWG APPR.	K.BOUTROS	DEC13/05
1 DECIMAL PLACE	REF.	ENG. REL. NO.	
2 DECIMAL PLACES	THIRD ANGLE PROJECTION		
3 DECIMAL PLACES	DO NOT SCALE DRAWING		
ANGULAR DEGREES			

<b>Amphenol Canada Corp.</b>			
MUSB SERIES RUGGED USB RECEPTACLE, SERIES 'A' INTERFACE, VERTICAL PCB MOUNT, RoHS COMPLIANT			
DWG. NO.	P-MUSB-A511-XX		REV <b>G</b>
CODE ID NO. 03554	DWG SIZE: C	SCALE: 3:1	SHEET 2 OF 2

THIS DOCUMENT CONTAINS PROPRIETARY INFORMATION AND SUCH INFORMATION MAY NOT BE DISCLOSED TO OTHERS FOR ANY PURPOSE OR USED FOR MANUFACTURING PURPOSES WITHOUT WRITTEN PERMISSION FROM AMPHENOL CANADA CORP.