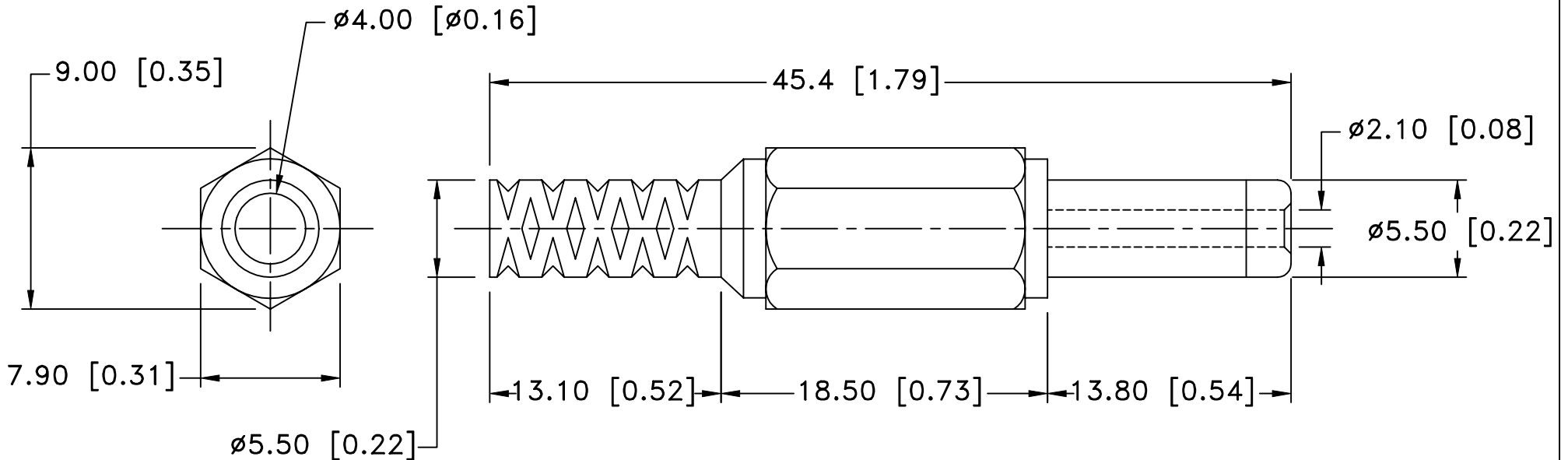


Date	SYM	REVISION RECORD	AUTH	DR.	CK.
08/16/03	A	REVISED TITLE	T.B.	B.S.	




NOTES:

MAX. RATING: 12V 5A.

MATERIAL:

- 1) INSULATOR: ABS
- 2) PLUG: BRASS, NICKLE PLATED
- 3) COVER: PP

Tolerance (Except as noted)	 Memory Protection Devices, Inc 200 Broad Hollow Road, Farmingdale, New York 11735	
decimal ±.5 (.020)	Scale	Drawn By B.S. Approved By T.B.
Fractional ± .8 (.030)	Title DC PLUG - 2.1mm MOLDED WITH STRAIN RELIEF	
Angular ± 3°	Date 08/16/03	Drawing Number EP502-A