

MODEL NUMBER  
PWD-5532-02-TNC-79

NOTES:

1.0 ELECTRICAL SPECIFICATIONS:

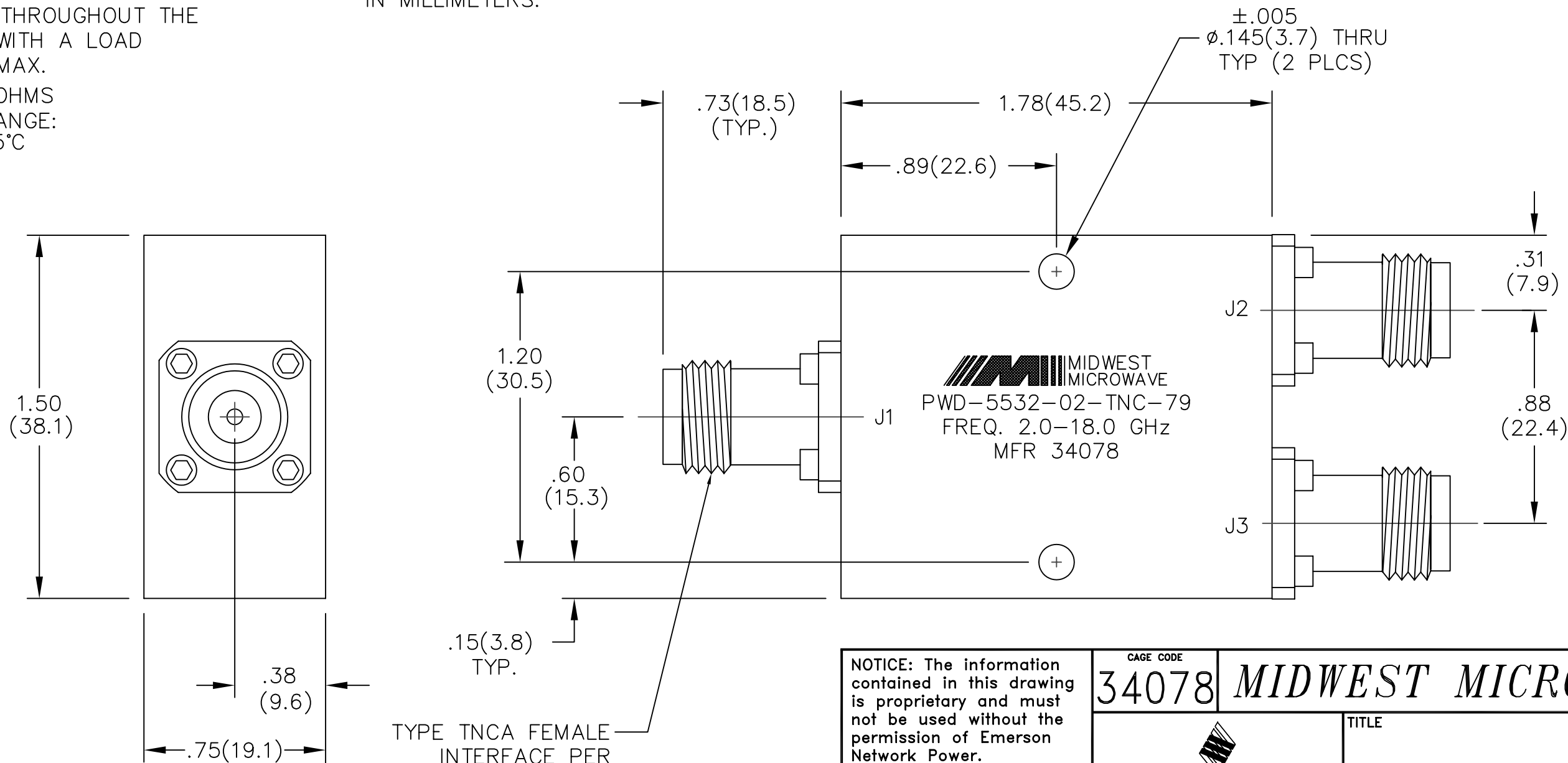
- 1.1 FREQUENCY RANGE: 2.0 to 18.0 GHz
- 1.2 INSERTION LOSS: 1.5dB MAX.
- 1.3 ISOLATION: 15dB MIN.
- 1.4 VSWR (MAX): 1.80:1
- 1.5 OUTPUT UNBALANCE:  
  AMPLITUDE: 0.40dB MAX.  
  PHASE: 10° MAX.
- 1.6 MAX. INPUT POWER:  
  10 WATTS CW THROUGHOUT THE  
  FREQ. RANGE WITH A LOAD  
  VSWR OF 2:1 MAX.
- 1.7 IMPEDANCE: 50 OHMS
- 1.8 TEMPERATURE RANGE:  
  -65°C to +125°C

2.0 FINISHING:

- 2.1 GREY PER MIL-E-15090 TYPE II, CLASS 2  
  OVER MIL-C-5541 CLASS 3A  
  MEETS MIL-F-14072  
  MEETS MIL-E-5400

2.2 MARKING: MARK UNIT AS SHOWN

3.0 DIMENSIONS IN PARENTHESIS ARE  
  IN MILLIMETERS.



TYPE TNCA FEMALE  
INTERFACE PER  
MIL-STD-348A  
FIG. 313-4  
(INTERFACE ALSO MEETS TYPE TNC 18.0 GHZ,  
GRADE 1, PER IEC 169-26, FIG. 2)  
TYP. (3 PLCS.)

**MIDWEST MICROWAVE**  
PWD-5532-02-TNC-79  
FREQ. 2.0-18.0 GHz  
MFR 34078

NOTICE: The information contained in this drawing is proprietary and must not be used without the permission of Emerson Network Power.

UNLESS OTHERWISE NOTED DIMENSIONS ARE IN INCHES AND TOLERANCES ARE:  
3 PLACE DECIMALS  $\pm .005$   
2 PLACE DECIMALS  $\pm .02$   
FRACTIONS  $\pm 1/64$   
PARALLELITY: T.I.R. \_\_\_\_\_  
FLATNESS: T.I.R. \_\_\_\_\_  
CONCENTRICITY: T.I.R. \_\_\_\_\_  
ANGLES AND PERPENDICULARITY:  $\pm 1^\circ$

CAGE CODE <b>34078</b>		<b>MIDWEST MICROWAVE</b>	
		TITLE POWER DIVIDER OUTLINE DRAWING	
		DRAWING NUMBER PWD-5532-02-TNC-79-01	
DRAWN/DATE A.BEATTY 3/13/96	ENG./DATE J.O'NEIL 3/19/96	DRAWING NUMBER PWD-5532-02-TNC-79-01	REV. D
CHECKED/DATE	APPROVED/DATE	SCALE: 5=1	SHEET 1 of 1

REV.	DESCRIPTION	DATE
-	RELEASED	11/3/96
-1	ADDED TITLEBLOCK	7/20/05
A	ECN 20777	3/23/06
C	ECO 22746	10/27/10
D	ECO 23013	12/15/10