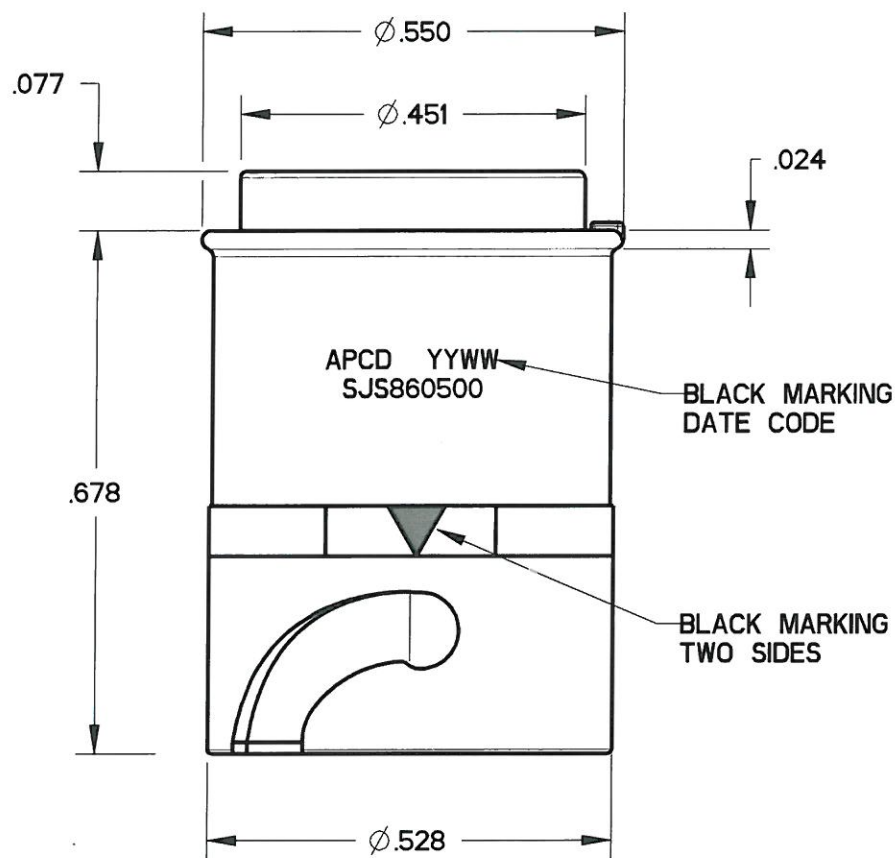
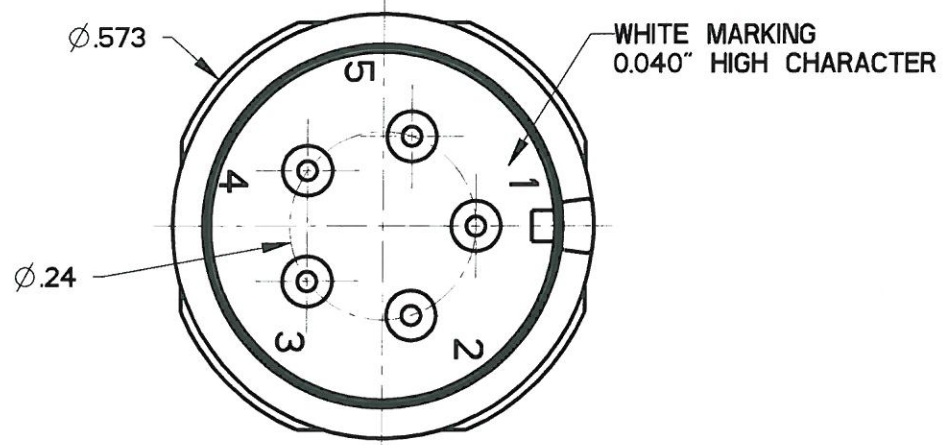
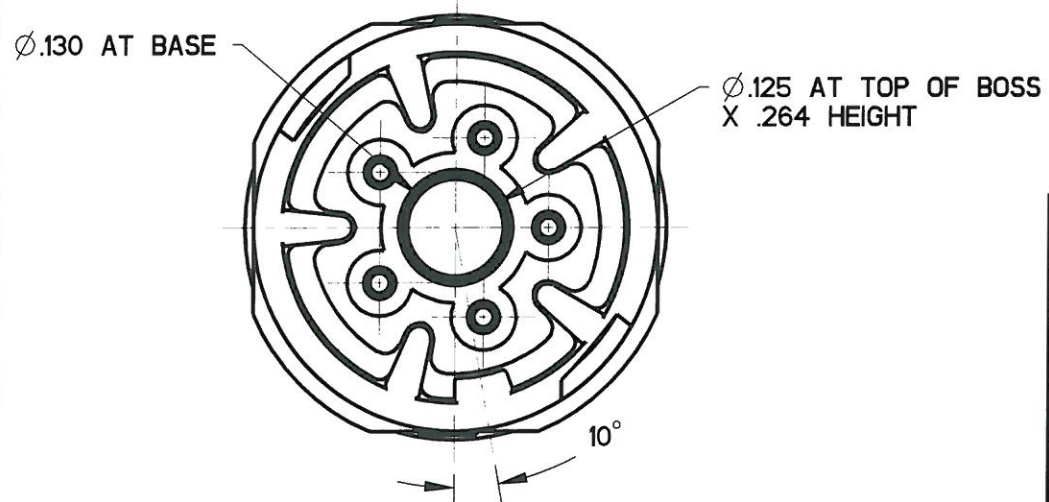
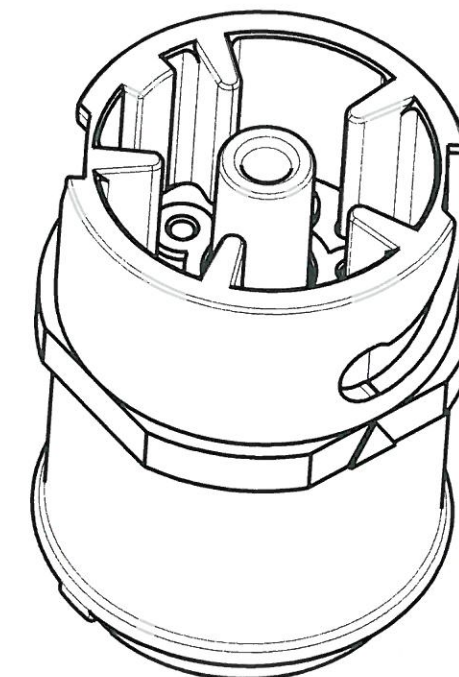
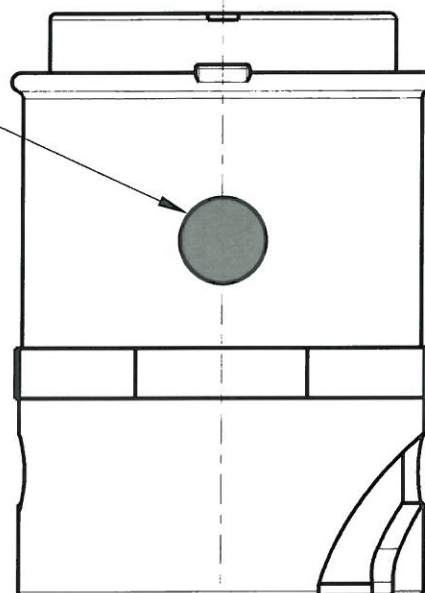


| REV | ECN | APP'D |
|-----|------|------------|
| - | 6498 | JT 3/11/10 |
| A | 6564 | JT 8/6/10 |



BLACK DOT



- NOTES:
- MATERIALS:
HOUSING: PA6/6
CONTACT RETAINER: STAINLESS STEEL
GROMMET: SILICONE RUBBER PER A-A-59588
 - ACCEPTS M39029/58-360 PIN CONTACT (NOT INCLUDED)
 - PART MATES WITH SJS860510
 - WEIGHT: 2.5 GRAMS
 - SUPPLIED WITH DUST CAP

| | | | | | | | |
|---|--|-----------------------|--|----------------|--|------------------|--------------------------------|
| DIMENSIONS ANSI Y14.5M UNITS: INCHES Pro/E FILE | TOLERANCES .XX ±0.01 .XXX ±0.005 ANGLES ±1.0° | PROJECTION | Amphenol Pcd SPECIFICATION DRAWING | | TITLE 5P SZ22 INLINE WHITE RECEPTACLE FOR SJS | | |
| | | | ENGR Frank.Li 15-Mar-09 | CHKD 8/6/10 | APPD 8/6/10 | SIZE B | DWG NO. SJS860500_CE |
| ORIGINAL | THIS DOCUMENT CONTAINS PROPRIETARY INFORMATION WHICH IS THE CONFIDENTIAL PROPERTY OF AMPHENOL PCD INC., BEVERLY, MA | | | CODE: 58982 | SCALE: 4:1 | SHEET 1 OF 1 | |

SJS860500

SJS860500