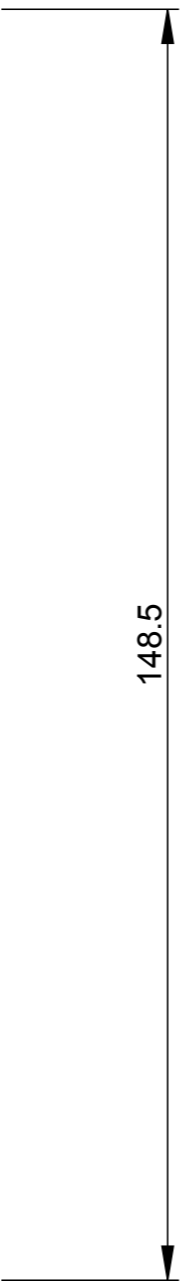
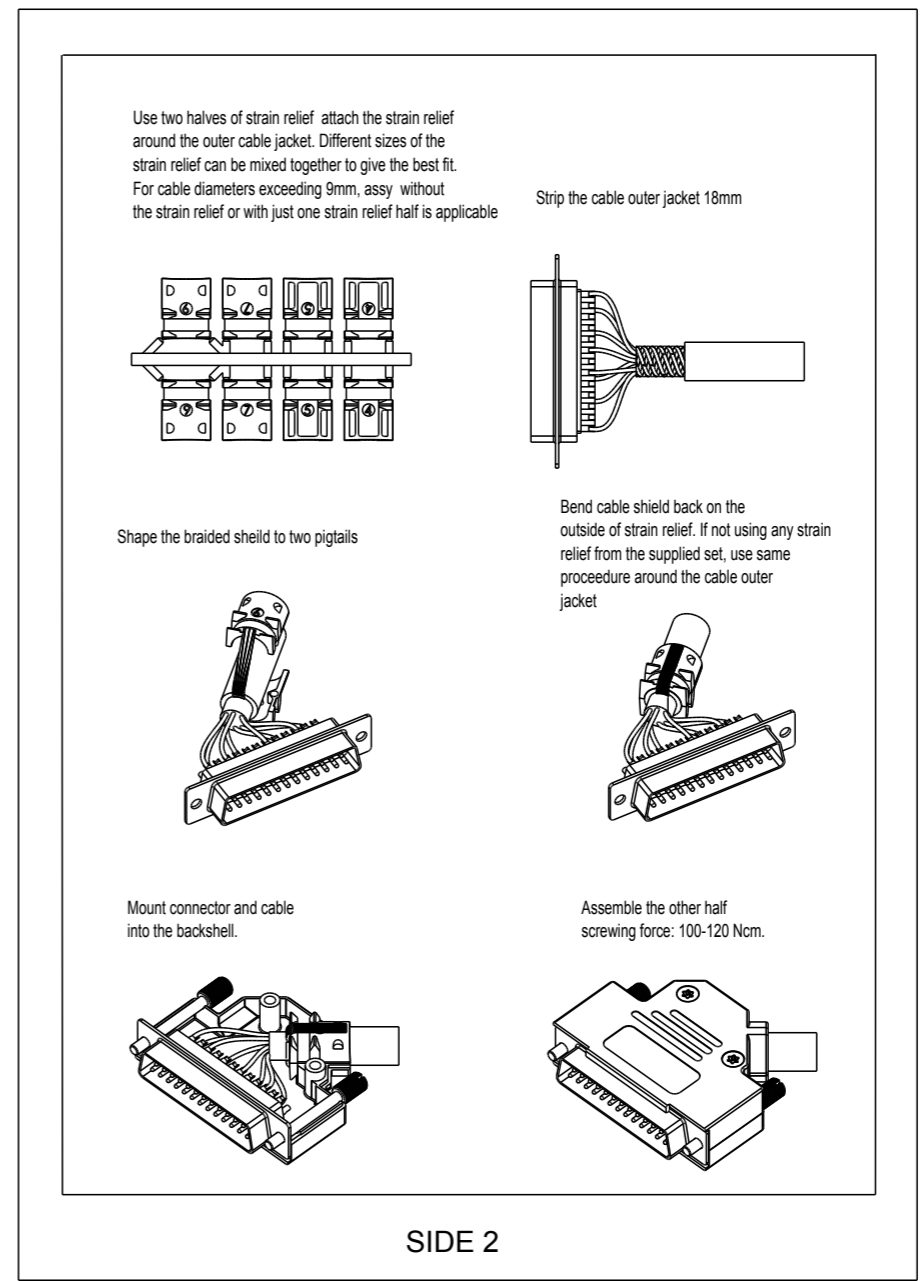
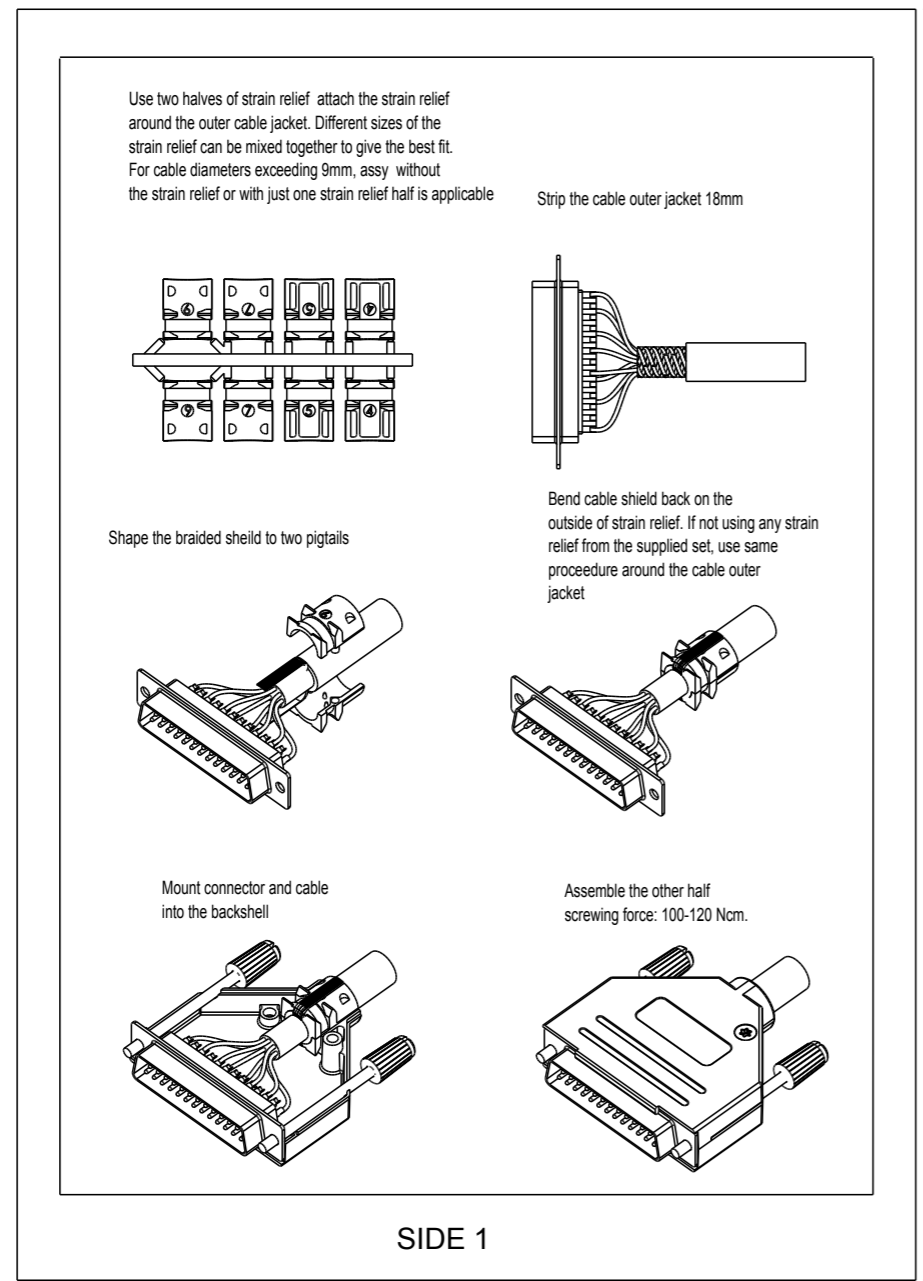
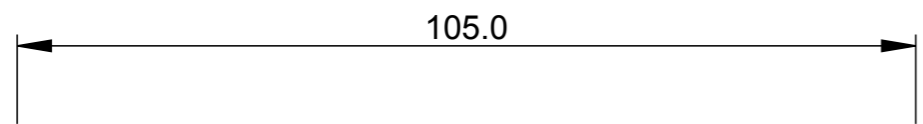


LOC	DIST	REVISIONS			
P	LTR	DESCRIPTION	DATE	DWN	APVD
B	E	B	ECR-11-018638	08/09/11	MJG JA



THIS DRAWING IS A CONTROLLED DOCUMENT.		DWN <b>AJ BEKEN</b>	07/03/02	<p>TE Connectivity</p> <p><b>LEAFLET</b> ASSEMBLY INSTRUCTIONS ADK BACKSHELL</p>	
DIMENSIONS: mm		CHK <b>C NEALE</b>	07/03/02		
TOLERANCES UNLESS OTHERWISE SPECIFIED:		APVD <b>F W K</b>	07/03/02		
		PRODUCT SPEC	-		
MATERIAL		FINISH	-	APPLICATION SPEC	-
		WEIGHT	-	SIZE	<b>A3</b>
		CUSTOMER DRAWING		CAGE CODE	<b>00779</b>
				DRAWING NO	<b>C-1478530</b>
				RESTRICTED TO	-
				SCALE	<b>NTS</b>
				SHEET	<b>1</b> OF <b>1</b>
				REV	<b>B</b>