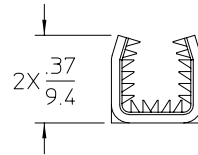
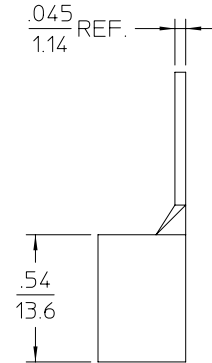
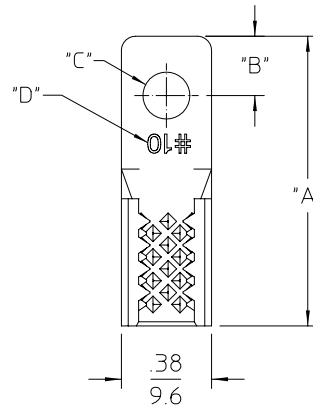
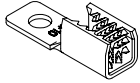


MATERIAL NUMBER	DIM. "A"	DIM. "B"	DIM. "C"	"D"
191951006	1.22/31.0	.25/6.4	Ø.198/5.03	#10
191951012	1.41/35.8	.34/8.5	Ø.265/6.73	1/4
191951022	1.22/31.0	.25/6.4	Ø.173/4.39	#8



NOTES:

1. MATERIAL: COPPER ALLOY.
2. FINISH: ELECTRO TIN PLATE.  
THICKNESS=100μINCHES MINIMUM.
3. PRODUCT SPECIFICATION: PS-19195-001.
4. PART USED TO CONNECT COPPER OR ALUMINUM SINGLE MAGNET WIRE OR MULTIPLE WIRE COMBINATIONS.
5. COMBINATIONS OF WIRES ARE EITHER MAGNET WIRE TO MAGNET WIRE OR MAGNET WIRE TO LEAD WIRE.

EC NO: ETC2003-0089 DRWN: JPWLICK 2002/09/27 CHKD: JPWLICK 2002/09/27 APPR: RDEROSS 2002/09/27	QUALITY SYMBOLS ▽ = 0 ▽ = 0	GENERAL TOLERANCES (UNLESS SPECIFIED)		SCALE 2:1	DESIGN UNITS INCH	THIRD ANGLE PROJECTION	REVISE ON CAD ONLY	
		4 PLACES ± --- ± ---	3 PLACES ± --- ± ---	DIMENSION STYLE IN/MM		TITLE MAGKRIMP SQUARE RING 4,110-20,760 CMA		
		2 PLACES ± --- ± .010	1 PLACE ± 0.25 ± ---	DRAWN BY JPWLICK	DATE 02/04/03	MOLEX INCORPORATED		
		ANGULAR ± 2 °		CHECKED BY JPWLICK	DATE 02/04/03	MATERIAL NO SEE CHART	DOCUMENT NO SD-19195-015	SHEET NO 1 OF 1
DRAFT WHERE APPLICABLE MUST REMAIN WITHIN DIMENSIONS		APPROVED BY RDEROSS	DATE 02/04/03	THIS DRAWING CONTAINS INFORMATION THAT IS PROPRIETARY TO MOLEX INCORPORATED AND SHOULD NOT BE USED WITHOUT WRITTEN PERMISSION				