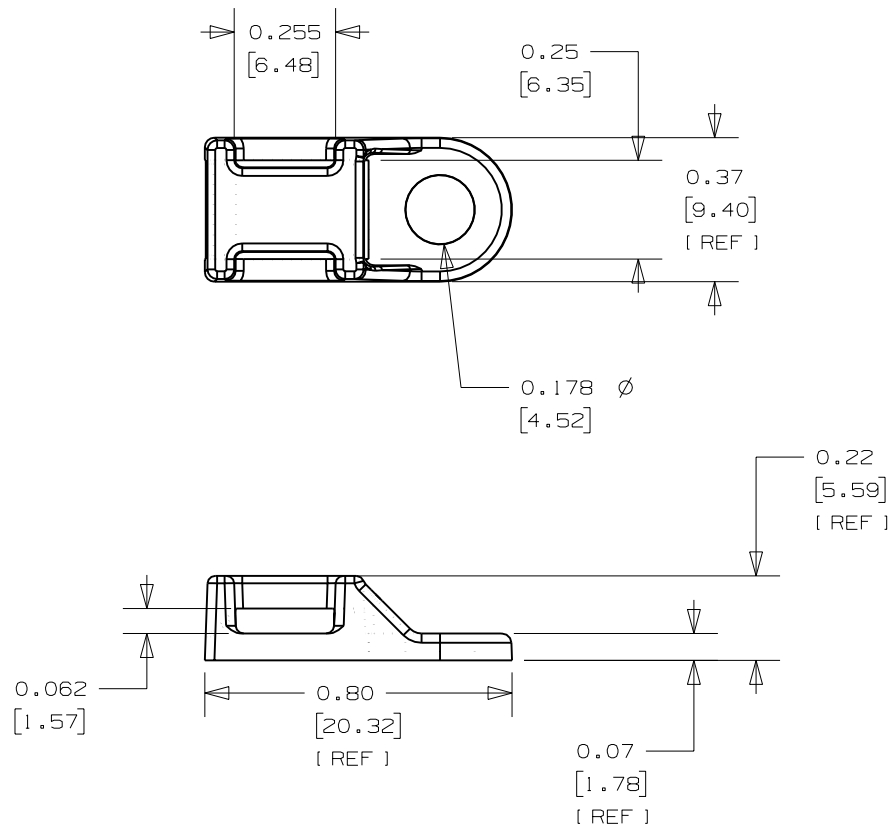


THIS COPY IS PROVIDED ON A RESTRICTED BASIS AND IS NOT TO BE USED IN ANY WAY DETRIMENTAL TO THE INTERESTS OF PANDUIT CORP.

PANDUIT PART NO.	REQUIRED FASTNER	WEIGHT lbs/100 pcs (g)/100 pcs	PRODUCT COMPATIBLE WITH CABLE TIE CROSS-SECTION(S):
SGTA1S8-_ TASG1S8-_ _	#8 (M4) SCREW	0.86 (38.77)	M, I, S SG100M, SG150I, SG200S, SG250S, SG300S, SG370S



NOTES:

- SEE CURRENT PRICE SHEET FOR PART NUMBER SUFFIX DESIGNATION FOR PACKAGE SIZE

DIMENSIONS IN BRACKETS ARE METRIC [mm]

CAD FILENAME/LAYERS G02987CE_PB_TASG1S8_02

PANDUIT CORP. TINLEY PARK, ILLINOIS

TIE ANCHOR (SUPER GRIP TIES)
SGTA1S8- & TASG1S8-
_

UNLESS OTHERWISE SPECIFIED,
DIMENSIONAL TOLERANCES ARE:
(.X) ± 0.05 (1.3) (.XXX) ± 0.010 (0.25)
(.XX) ± 0.02 (0.5) ANGLES $\pm 5^\circ$

UNLESS OTHERWISE SPECIFIED,
ALL DIMENSIONS ARE GIVEN
IN INCHES, THIRD ANGLE PROJECTION.

DRAWN BY TMSA

MAT'L:

SCALE 2/1

DATE 4-7-05

NYLON 6/6

DRAWING NO.

GB2987CE

DWG
SIZE
A

2	3/9/06	JAD	COMPLETELY REVISED	GB2987CE	2				
REV	DATE	BY	CHK	DESCRIPTION	ECN	R	CUST	SUP	