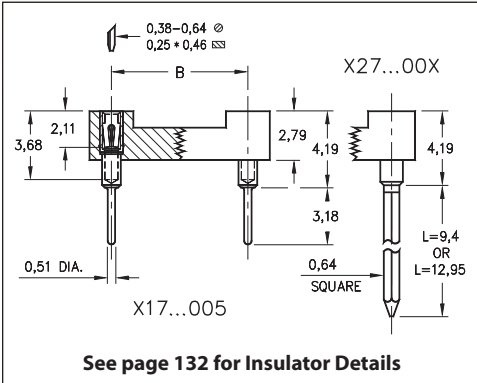


# DUAL-IN-LINE SOCKETS

**SERIES 117, 127, 217, 227, 317, 327 • SHRINK DIP, SOLDER TAIL & WRAPOST**



- High density DIP sockets and strips for devices featuring 1,78 lead spacing
- Solder tails use MM #1802 receptacles, See page 169 for details. Wraposts use MM #1702-2 or 1703-3 receptacles, See page 198 for details
- Hi-Rel, 4-finger BeCu #30 contact is rated at 3 amps. See page 253 for details
- Insulators are high temperature thermoplastic, suitable for all soldering operations
- For Electrical, Mechanical and Environmental Data, see page 264 for details



Total number of pins	Pin Spacing			Quantity per tube	ORDERING INFORMATION			
	A	B	C		Solder Tail	L = 9,4 (2 Level Wrapost)	L = 12,95 (3 Level Wrapost)	
					<b>OPEN FRAME DIP SOCKET</b>			
16	14,53	7,62	9,91	35	117-XX-316-41-005000	127-XX-316-41-002000	127-XX-316-41-003000	
28	25,2	10,16	12,45	20	117-XX-428-41-005000	127-XX-428-41-002000	127-XX-428-41-003000	
30	26,97	10,16	12,45	18	117-XX-430-41-005000	127-XX-430-41-002000	127-XX-430-41-003000	
48	42,98	10,16	12,45	12	117-XX-448-41-005000	127-XX-448-41-002000	127-XX-448-41-003000	
20	18,08	15,24	17,53	28	117-XX-620-41-005000	127-XX-620-41-002000	127-XX-620-41-003000	
28	25,2	15,24	17,53	20	117-XX-628-41-005000	127-XX-628-41-002000	127-XX-628-41-003000	
40	35,86	15,24	17,53	14	117-XX-640-41-005000	127-XX-640-41-002000	127-XX-640-41-003000	
42	37,64	15,24	17,53	13	117-XX-642-41-005000	127-XX-642-41-002000	127-XX-642-41-003000	
48	42,98	15,24	17,53	11	117-XX-648-41-005000	127-XX-648-41-002000	127-XX-648-41-003000	
52	46,53	15,24	17,53	11	117-XX-652-41-005000	127-XX-652-41-002000	127-XX-652-41-003000	
56	50,1	15,24	17,53	10	117-XX-656-41-005000	127-XX-656-41-002000	127-XX-656-41-003000	
64	57,2	15,24	17,53	8	117-XX-664-41-005000	127-XX-664-41-002000	127-XX-664-41-003000	
68	60,76	15,24	17,53	8	117-XX-668-41-005000	127-XX-668-41-002000	127-XX-668-41-003000	
64	57,2	19,05	21,34	8	117-XX-764-41-005000	127-XX-764-41-002000	127-XX-764-41-003000	
					<b>CLOSED FRAME DIP SOCKET</b>			
64	57,2	19,05	21,34	8	217-XX-764-41-005000	227-XX-764-41-002000	227-XX-764-41-003000	
					<b>SINGLE ROW STRIP SOCKET</b>			
					If desired, we will supply any length up to 21 pins.			
21	37,64	---	2,64	-	317-XX-121-41-005000	327-XX-121-41-002000	327-XX-121-41-003000	
					<b>SPECIFY PLATING CODE XX=</b>			
					91	93	41	43
					5,08µm Sn/Pb	5,08µm Sn/Pb	5,08µm Sn	5,08µm Sn
					0,25µm Au	0,76µm Au	0,25µm Au	0,76µm Au

