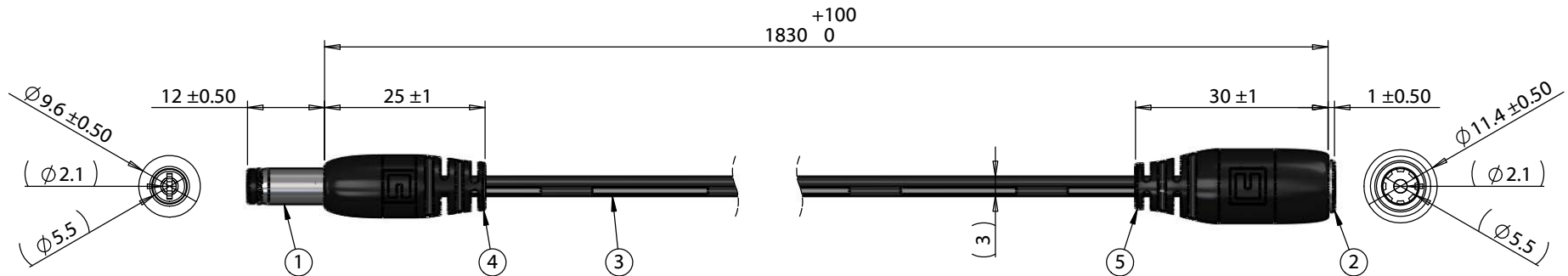


ITEM NO.	PART NUMBER	DESCRIPTION	QTY.	COMPONENT NOTES
1	50-00024	Connector, dc plug, 5.5x2.1x123 mm, molding style, spring contacts	1	
2	50-00025	Connector, dc jack, 5.5x2.1x17.4 mm, molding style	1	
3	30-00404	Wire, 2C TS, 24 AWG, UL2468, 300V, 80C, 3.0 mm, VW-1, PVC, 87A	1	
4	24-00003	Overmold, PVC	1	black
5	24-00004	Overmold, PVC	1	black



Notes:
Functionally equivalent components may be substituted

Wiring Diagram		
50-00024	wire color	50-00025
center	black with stripe	center
sleeve	black	sleeve

Revision:	Date:	Description:	Prepared:	Notes:	<h1>TENSILITY</h1> <p>tel 1.541.323.3228 800 877.670.7118 fax 1.541.323.4202 web tensility.com</p>				
A	02/08/2018	Initial release	Verified:			RoHS and REACH compliant			
			Dimensions are in millimeters.	Function test: no open, no short circuit, no intermittent	<table border="1"> <tr> <td>Size:</td> <td>Part number:</td> </tr> <tr> <td>A</td> <td>10-02521</td> </tr> </table>	Size:	Part number:	A	10-02521
Size:	Part number:								
A	10-02521								
			Tolerances: X: ± 0.5 mm X.X: ± 0.3 mm X.XX: ± 0.05 mm	Description: Cable, 1830 mm, 5.5x2.1x12 mm 50-00024 dc plug to 5.5x2.1 mm 50-00025 dc jack, 24 AWG, UL2468	<table border="1"> <tr> <td>Scale: 1:1</td> <td></td> <td>Sheet 1 of 1</td> </tr> </table>	Scale: 1:1		Sheet 1 of 1	
Scale: 1:1		Sheet 1 of 1							

5

4

3

2

1