

10 9 8 7 6 5 4 3 2 1

F

E

D

C

B

A

F

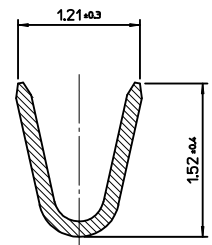
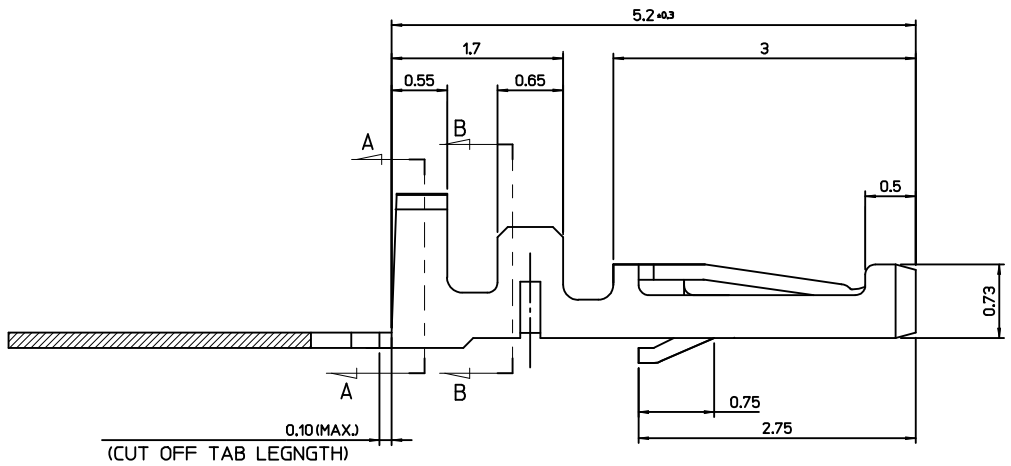
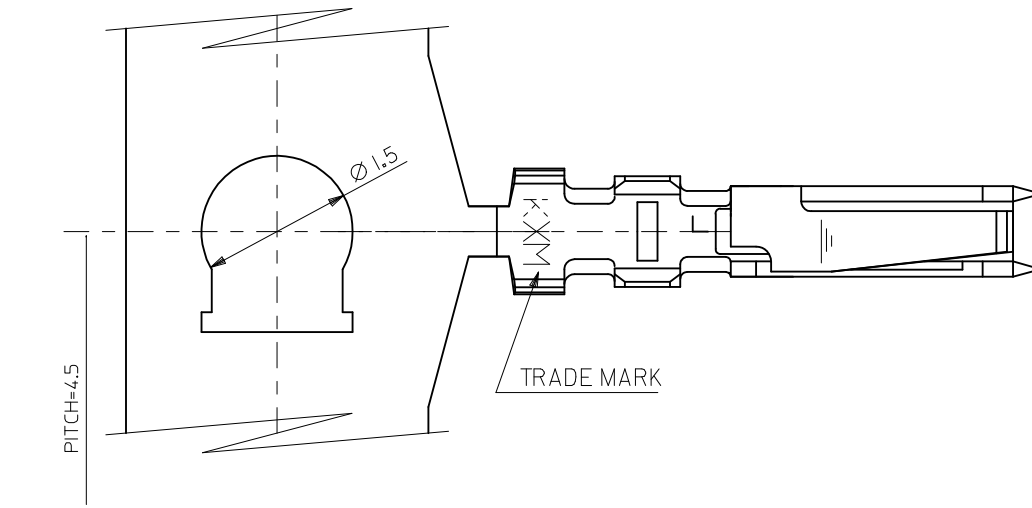
E

D

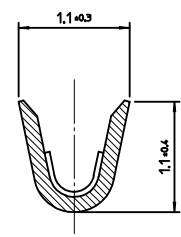
C

B

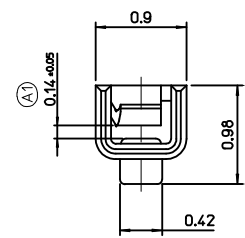
A



SECTION A-A



SECTION B-B



NOTES

1. APPLICABLE HOUSING : 104085-0400/104077-0600
104085-0410/104077-0610
104085-0300
2. MATERIAL : PHOSPHOR BRONZE, 0.15mm THICK'
3. FINISH : PRE-TIN PLATED
0.8~1.8 MICROMETER MINIMUM, TIN (Sn) OVER
0.3~0.8 MICROMETER COPPER
- ① 4. APPLICABLE WIRE RANGE: AWG#28
(INSULATION RANGE : 0.97 DIA.mm MAX.)

ORDER NUMBER 104505-8003

DESIGN UNITS METRIC THIRD ANGLE PROJECTION

1.25MM W-T-B CONN. CRIMP REC' TERMINAL

molex MOLEX INCORPORATED

DOCUMENT NO. SD-104505-001 SHEET NO. 1 OF 1

GENERAL TOLERANCES (UNLESS SPECIFIED)		DIMENSION STYLE MM ONLY		SCALE 20:1	TITLE
	mm	INCH	DRAWN BY	DATE	
4 PLACES	± ---	± ---	JB. JIN	2010/01/29	
3 PLACES	± ---	± ---	CHECKED BY	DATE	
2 PLACES	± 0.20	± ---	SH. CHU	2010/01/29	
1 PLACE	± 0.25	± ---	APPROVED BY	DATE	
ANGULAR ± 1 °			YS00.KIM	2010/01/29	
DRAFT WHERE APPLICABLE MUST REMAIN WITHIN DIMENSIONS		SIZE A3	THIS DRAWING CONTAINS INFORMATION THAT IS PROPRIETARY TO MOLEX INCORPORATED AND SHOULD NOT BE USED WITHOUT WRITTEN PERMISSION		

REVISED	DESCRIPTION
EC NO: 2012/09/05	
DRWN: JSSHIN	
CHKD: SHCHU	
APPR:	
A1	

9 8 7 6 5 4 3 2 1