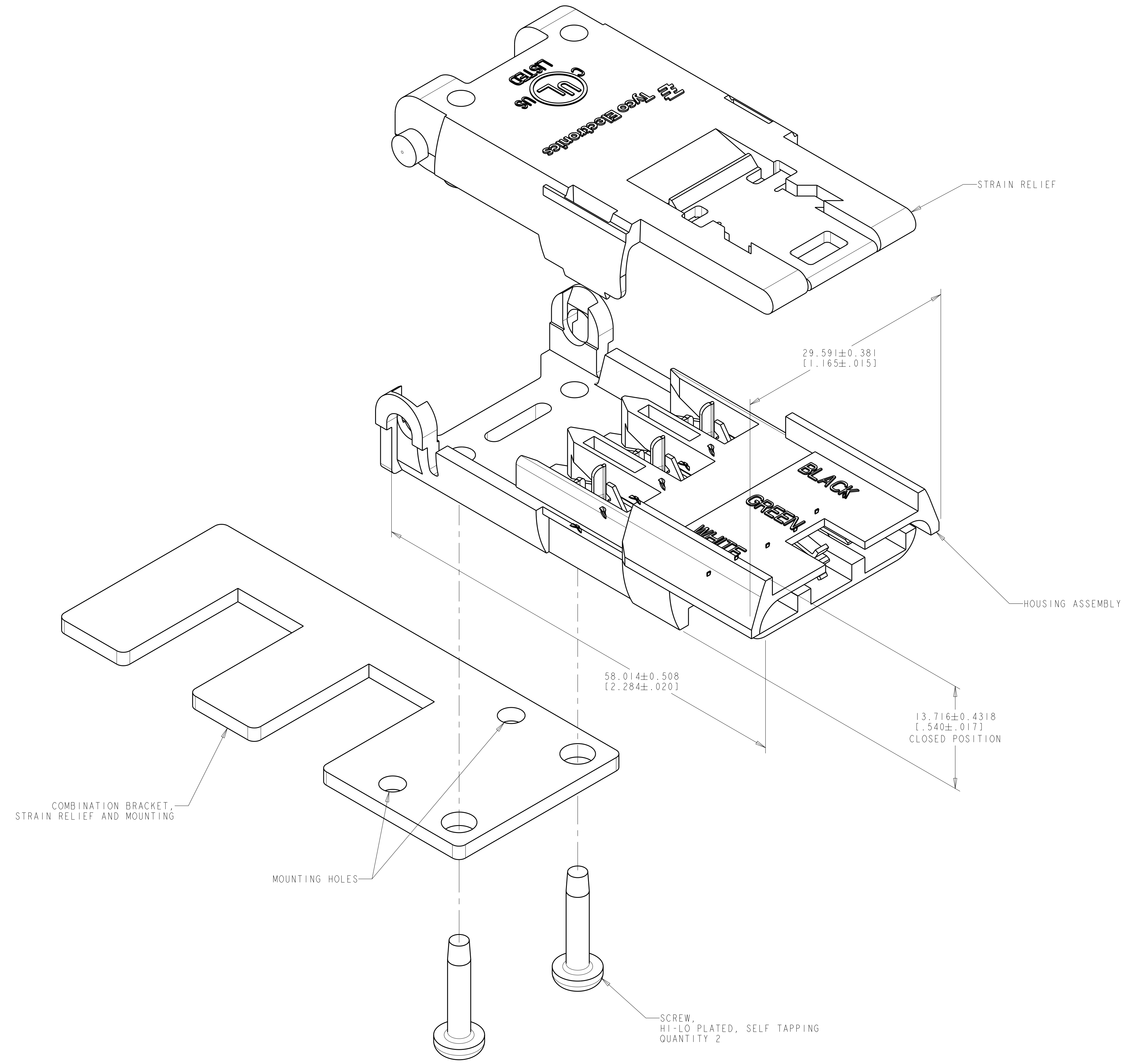


LOC	DIST	REV	DATE	BY	CHK	APPV
HM	00	D1	16MAY2011	RK	HMR	



- 1 MATERIAL: HOUSING ASSEMBLY - CONTACTS, TIN PLATED COPPER ALLOY; HOUSING, POLYCARBONATE MOLDING COMPOUND SOFT WHITE; STRAIN RELIEF - POLYCARBONATE MOLDING COMPOUND, CLEAR; COMBO BRACKET - PREGALVANIZED CARBON STEEL.
- 2. WIRE RANGE AND TYPE: 12 & 14 AWG SOLID COPPER WIRE ONLY, NONMETALLIC SHEATHED CABLE.
- 3. CONTACTS ASSEMBLED IN HOUSING.
- 4 KIT PACKAGED BULK: 500 HOUSING/CONTACT ASSEMBLIES IN A POLYBAG, 500 STRAIN RELIEFS IN A POLYBAG, 500 COMBO BRACKETS IN A BAG, 1000 SCREWS IN A BAG. ONE BAG OF EACH PACKAGED IN AN OUTER POLYBAG WITH 1 INSTRUCTION SHEET 408-4504. 5 OUTER POLYBAGS PACKAGED IN A BOX.
- 5 KIT PACKAGED INDIVIDUALLY: 1 HOUSING/CONTACT ASSEMBLY, 1 STRAIN RELIEF, 1 COMBO BRACKET, 2 SCREWS AND 1 INSTRUCTION SHEET 408-4504-1 IN A WHITE BACKGROUND POLYBAG. 100 KITS PACKAGED IN A BOX.
- 6 KIT PACKAGED BULK: 100 HOUSING/CONTACT ASSEMBLIES IN A POLYBAG, 100 STRAIN RELIEFS IN A POLYBAG, 100 COMBO BRACKETS IN A BAG, 200 SCREWS IN A BAG. ONE BAG OF EACH PACKAGED IN AN OUTER POLYBAG WITH 1 INSTRUCTION SHEET 408-4504. 5 OUTER POLYBAGS PACKAGED IN A BOX.

6	1116377-3
5	1116377-2
4	1116377-1
DESCRIPTION	PART NO

DIMENSIONS:		TOLERANCES UNLESS OTHERWISE SPECIFIED:		MATERIAL:		FINISH:		WEIGHT:		CUSTOMER DRAWING	
mm [ INCHES ]		0 PLC	±								
		1 PLC	±								
		2 PLC	±								
		3 PLC	±								
		4 PLC	±								
		ANGLES	±								