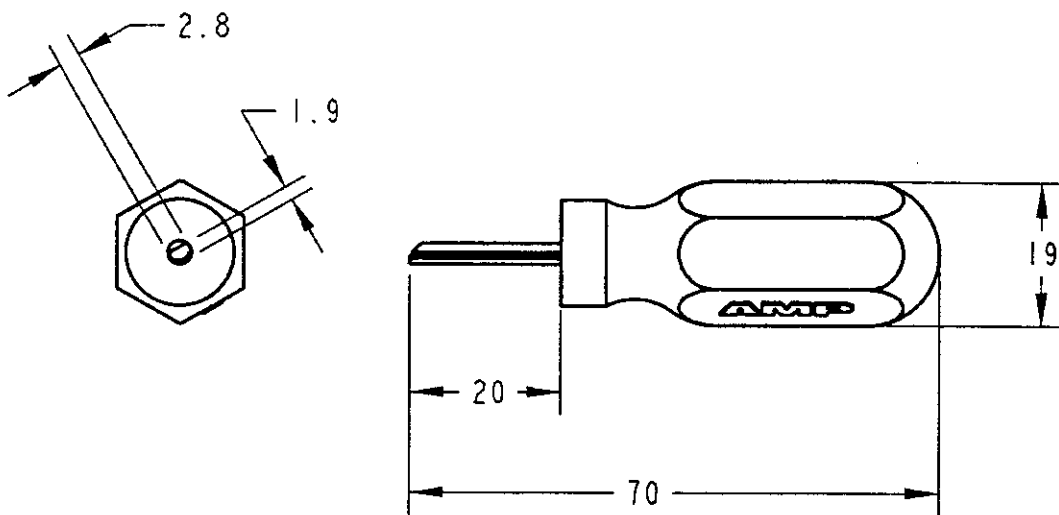


LOC	DIST	REVISIONS						
		P	LTR	DESCRIPTION	ECN	DATE	DWN	APVD
J	-		0	RELEASED	FJ00-0704-97	14MAY97	J.K	H.T



- APPLICABLE PRODUCTS

TERMINAL (STRIP): 171630-□ / 171662-□ EJ-II, EJ-II⁺ REC

HOUSING PLUG: 174352-□ EJ-II, EJ-II⁺
- INSTRUCTION SHEET NO: 411-5821

RELEASED FOR PUBLICATION .1997.XX.XX

THIS DRAWING IS UNPUBLISHED.

© COPYRIGHT 1997.XX.XX BY AMP INCORPORATED. ALL RIGHTS RESERVED.

DIMENSIONS: 単位: 英 mm		DWN J.K 14-May-97	WIRE RANGE 適合電線断面積 -	INSULATION DIA 被覆外径 -
TOLERANCES UNLESS OTHERWISE SPECIFIED: 公差 10 > : ±0.2 30 > : ±0.25 100 > : ±0.3 ANGLE : 1/2°		CHK J.KOGA 14 MAY 97	MATERIAL 材料 -	FINISH 仕上 -
 PRODUCT SPEC 製品仕様 APPLICATION SPEC 取付適用規格 WEIGHT - 		APVD H.TANAKA 14 MAY 97	AMP	
		日本アイ・エム・ピー株式会社 Kawasaki, Japan		
CUSTOMER DRAWING		EXT-TOOL FOR 070 EJ-II CONN		
		NAME 名称 -	SIZE A4	CAGE CODE 00779
		DRAWING NO 番号 C-937313-1	RESTRICTED TO -	
		SCALE 尺度 1:1	SHEET 1	OF 1
		REV 0		