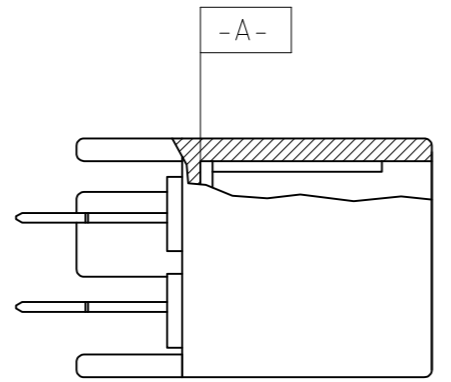
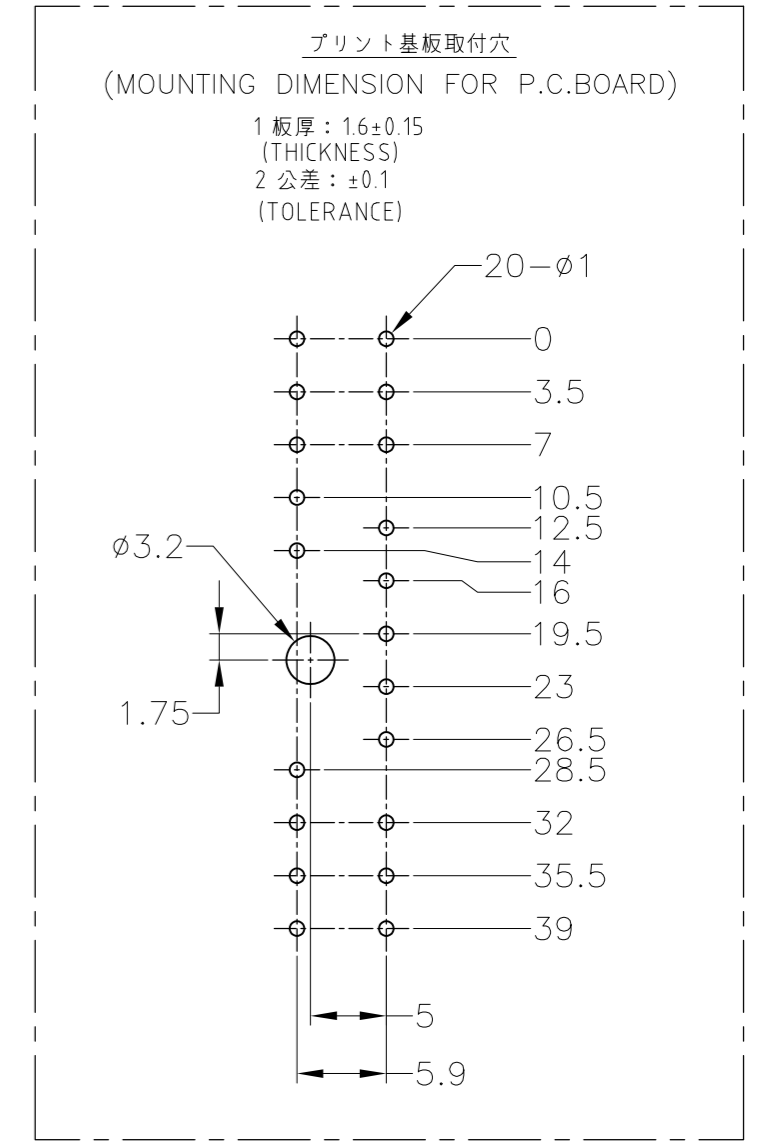
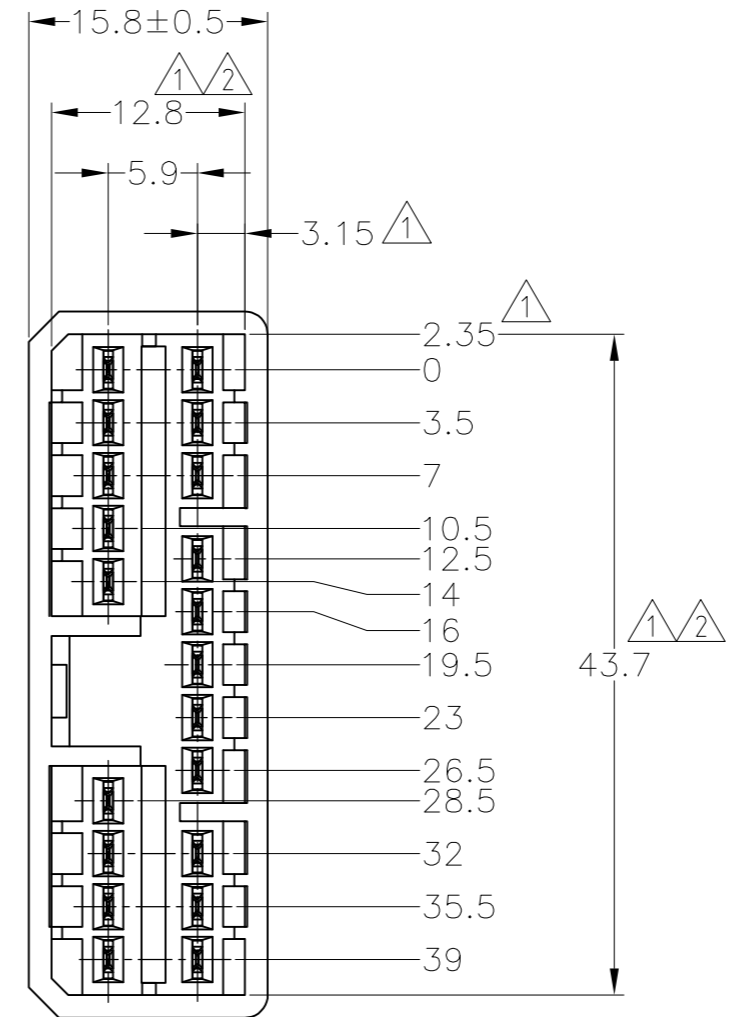
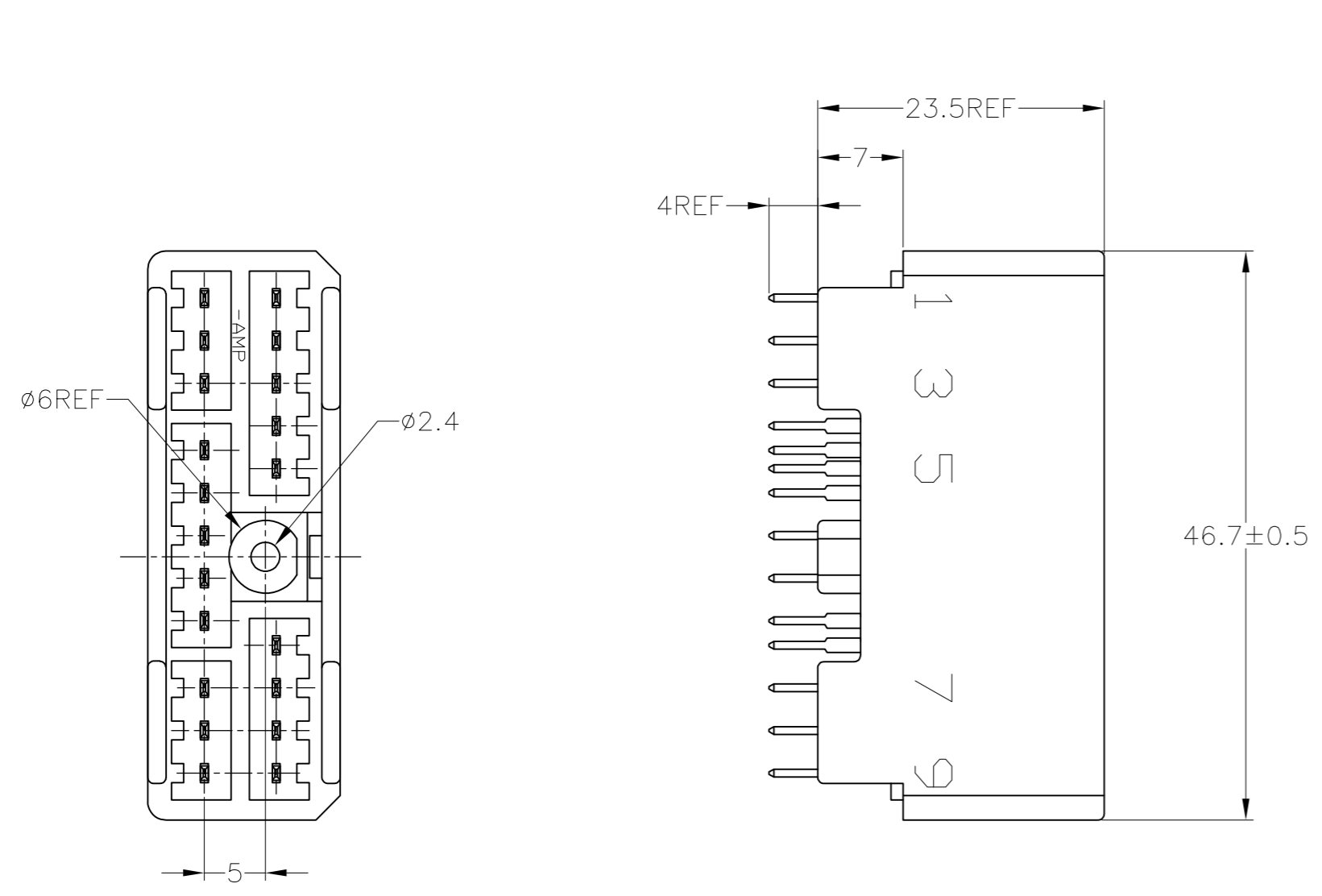


THIS DRAWING IS UNPUBLISHED. RELEASED FOR PUBLICATION
 © COPYRIGHT - By - ALL RIGHTS RESERVED.

LOC	DIST	REVISIONS					
		P	LTR	DESCRIPTION	DATE	DWN	APVD
J	-	E2		REVISED PER ECO-11-005140	28MAR11	RK	HMR



- △-A- 面より2mmの範囲で測定。
- △相手ハウジングと所定の機能を満たして嵌合できること。
- 3. プリント基板への取付けは、JIS B1115又は1122, M3×6ナベ (2種又は4種)のタッピンネジで締付けた後ハンダ付けする。
- 4. 嵌合相手ハウジング型番：174952
- △1 TO BE MEASURED BETWEEN [-A-] AND 2.
- △2 TO BE MATED WITH PLUG HSG SMOOTHLY.
- 3. TO BE USE M3 TAPPING SCREW JIS B1115 OR 1122 (TYPE2 OR 4) BEFORE SOLDER.
- 4. APPLIDE PLUG HOUSING PART NUMBER: 174952

OBSELETE	SELECTIVE-TIN	PRE-TIN	WHITE	3-174960-1
	TIN-LEAD	SELECTIVE-GOLD	WHITE	2-174960-1
		PRE-TIN	YELLOW	1-174960-7
		PRE-TIN	GRAY	1-174960-6
		PRE-TIN	WHITE	1-174960-1
	SOLDERING SIDE 半田付け部	CONTACT SIDE 接触部側	COLOR 色	PART NUMBER 製品型番
	CONTACT FINISH コンタクト仕上			

THIS DRAWING IS A CONTROLLED DOCUMENT.		DWN T.SHINOHARA 26JUN07		
DIMENSIONS: 単位: 純 mm		CHK K.BETSUI 26JUN07		
TOLERANCES UNLESS OTHERWISE SPECIFIED: 一般公差		APVD K.BETSUI 26JUN07	NAME 名称	
0 <= x <= 10 : ±0.2 10 <= x <= 30 : ±0.25 30 <= x <= 100 : ±0.3 ANGLE : ±3° 角度		PRODUCT SPEC 製品規格 108-5216	.070 SERIES MULTI-LOCK I/O CONN 20POSITION CAP HSG ASSEMBLY VERTICAL TYPE	
MATERIAL 材料 HOUSING: PBT CONTACT: BRASS		APPLICATION SPEC 取付適用規格 412-5520	SIZE A2	CAGE CODE 00779
		WEIGHT 10.6 g	DRAWING NO 番号 C=174960	RESTRICTED TO -
		CUSTOMER DRAWING	SCALE 尺度 2:1	SHEET 1 of 1
			REV E2	