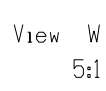
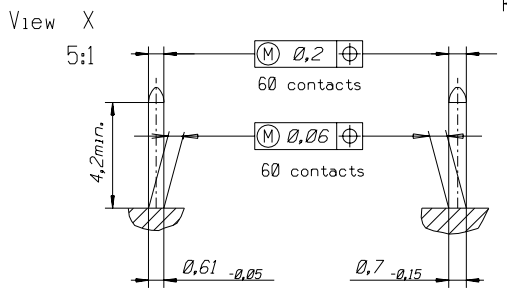
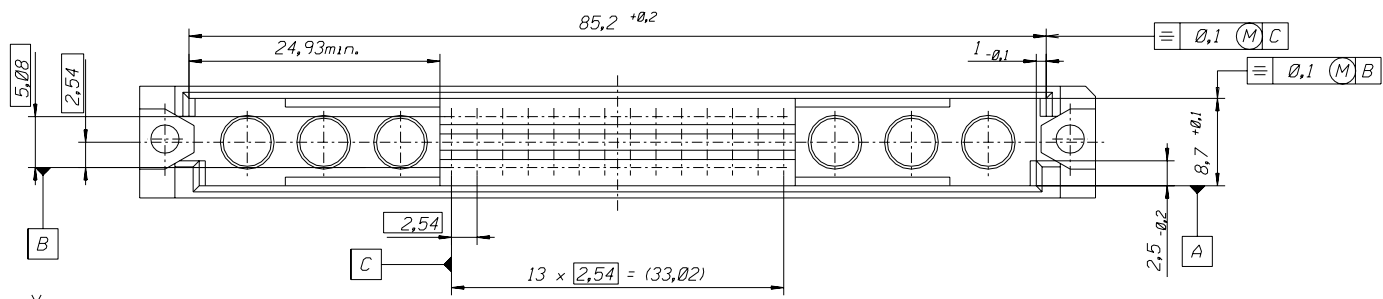
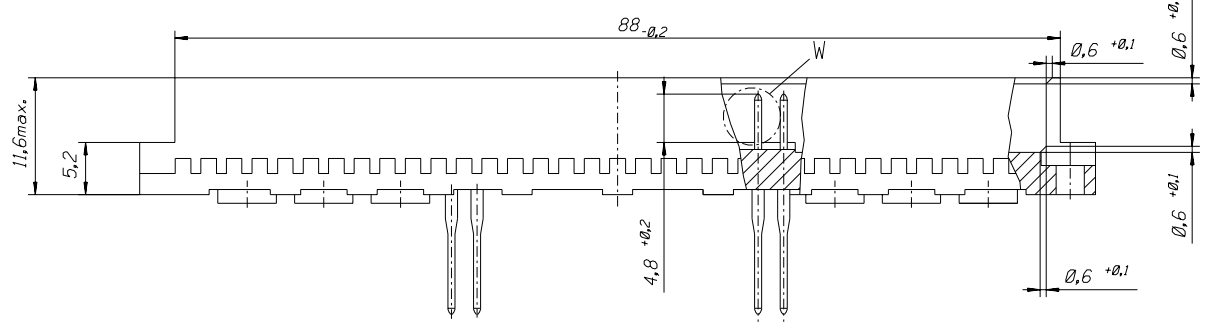
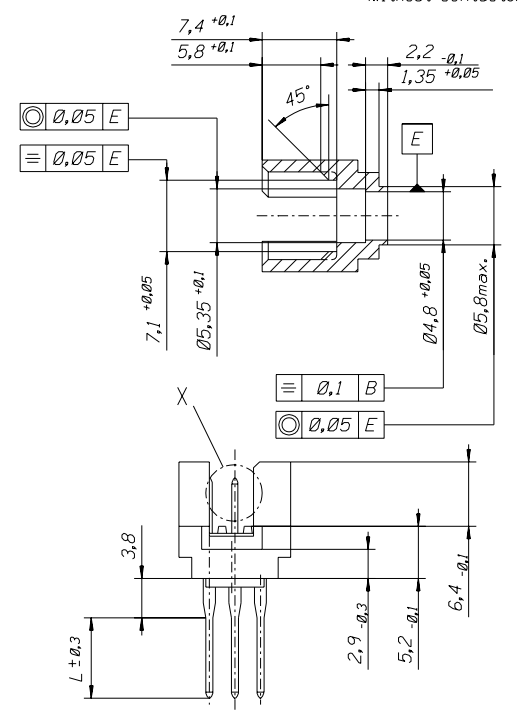
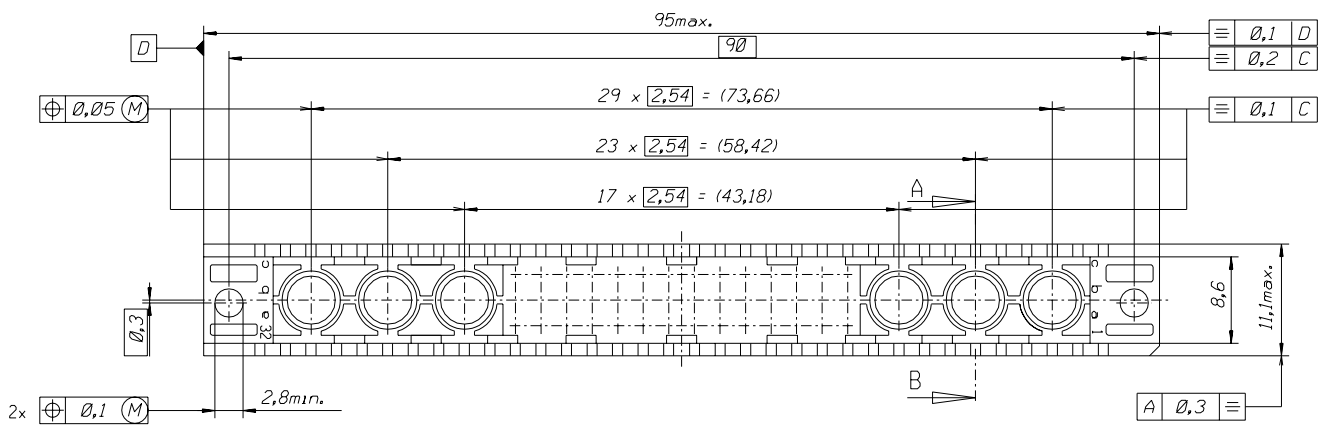


PART NO.  
DWG. NO.

Section A-B  
(without contacts)



FIRST ANGLE PROJECTION		REVISE ONLY ON CAD SYSTEM		SH.	REV.
UNLESS OTHERWISE SPECIFIED TOLERANCES: ANGULAR $\pm 2'$		DRWG BY	SIGN	CAD/CAM PROJECT NAME	
INCH		Ca		60393241	
METRIC		CHK'D BY	SIGN	THIS DRAWING CONTAINS INFORMATION THAT IS PROPRIETARY TO MOLEX INC. & SHOULD NOT BE USED WITHOUT WRITTEN PERMISSION	
3 PLACE $\pm$ . $\pm$		KN		TITLE	
2 PLACE $\pm$ . $\pm$		APP'D BY	SIGN	42 pos. Male connector DIN 41612 style M (C-Pin) inverted / Dimensions	
1 PLACE $\pm$ . $\pm$		DRAFT WHERE APPLICABLE MUST REMAIN WITHIN DIMENSIONS		SHEET NO. DATE	
DESIGN DIMENSION <input type="checkbox"/> MM <input type="checkbox"/> IN.		SCALE		1 OF 3 93/05/04	
EQUIVALENT DIMENSION <input type="checkbox"/> MM <input type="checkbox"/> IN.		2:1		PART NO. DWG NO. SIZE	
IF TWO DIMENSIONS ARE SHOWN THE UPPER IS THE DESIGN DIMENSION, LOWER IS SECONDARY				see sh. no. 2 of 3 603-6093-24 B	