

Flush-type connector - SACC-CI-M12FSX-8P SMD SH T - 1411964

Please be informed that the data shown in this PDF Document is generated from our Online Catalog. Please find the complete data in the user's documentation. Our General Terms of Use for Downloads are valid (<http://phoenixcontact.com/download>)



Flush-type connector, Ethernet, 8-position, Socket, straight, M12, X - data, PCB mounting, SMD


M12 female contact carrier, straight

Why buy this product

- Reduced mounting costs thanks to two-piece device connector
- Packaging available for automated pick and place assembly
- All common pin assignments and codings available
- Easy device integration thanks to mechanical port screw connections with threaded attachment, press-in contour or direct integration in the front plate



Key Commercial Data

| | |
|------------------------|---|
| Packing unit | 60 STK |
| Minimum order quantity | 60 STK |
| GTIN |  4 046356 991612 |
| GTIN | 4046356991612 |

Technical data

Ambient conditions

| | |
|---------------------------------|--|
| Ambient temperature (operation) | -25 °C ... 105 °C (Plug / socket) |
| | -55 °C ... 105 °C (without mechanical actuation) |
| Degree of protection | IP67 (correctly plugged in and locked) |

General

| | |
|-----------------------|--|
| Note | The electrical and mechanical data specified assume that the connector pair is correctly locked and mounted. If the connector is unlocked and if there is a danger of contamination, the connector must be sealed using a protective cap > IP54. Influences arising from litz wires, cables or PCB assembly must also be taken into consideration. |
| Rated current at 40°C | 0.5 A (Data) |

Flush-type connector - SACC-CI-M12FSX-8P SMD SH T - 1411964

Technical data

General

| | |
|-----------------------------|--|
| Rated voltage | 50 V AC |
| | 60 V DC |
| Rated surge voltage | 1.5 kV |
| Number of positions | 8 |
| Insulation resistance | > 100 MΩ |
| Coding | X - data |
| Standards/regulations | M12 connector IEC 61076-2-109 In line with |
| Signal type/category | Ethernet |
| Overvoltage category | III |
| Degree of pollution | 3 |
| Connection method | SMD |
| Insertion/withdrawal cycles | > 100 |
| Mounting type | PCB mounting |
| Type of packaging | Tray |
| Delivery state | with assembly pad |

Material

| | |
|--|---|
| Flammability rating according to UL 94 | V0 |
| Contact material | CuZn |
| Contact surface material | Au |
| Contact carrier material | PA |
| Additional material specifications | Zinc die-cast, nickel-plated (Shield crossover) |

Cable

| | |
|---|--|
| Standards/specifications | M12 connector IEC 61076-2-109 In line with |
| Transmission characteristics (category) | CAT6 _A |

Standards and Regulations

| | |
|--|-----------------|
| Standard designation | M12 connector |
| Standards/regulations | IEC 61076-2-109 |
| Flammability rating according to UL 94 | V0 |

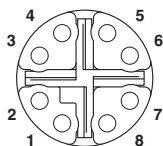
Environmental Product Compliance

| | |
|------------|---|
| REACH SVHC | Lead 7439-92-1 |
| China RoHS | Environmentally Friendly Use Period = 50 |
| | For details about hazardous substances go to tab "Downloads", Category "Manufacturer's declaration" |

Drawings

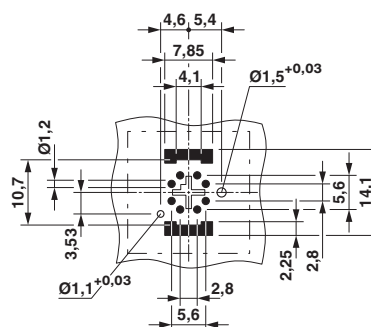
Flush-type connector - SACC-CI-M12FSX-8P SMD SH T - 1411964

Schematic diagram



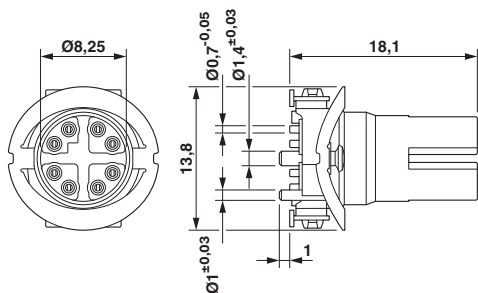
Pin assignment M12 connector, 8-pos., view socket side

Drilling diagram



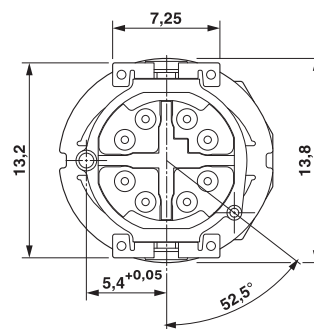
Soldering pad geometry

Dimensional drawing



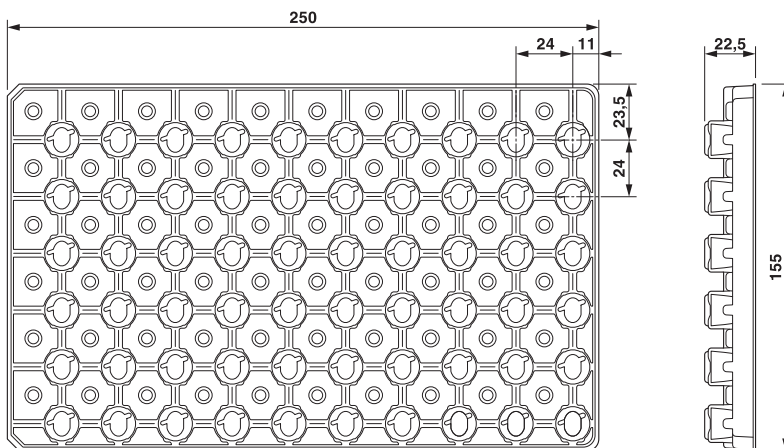
M12 female connector contact carrier

Dimensional drawing



View of solder side

Dimensional drawing



SMD tray packaging

Approvals

Approvals

Flush-type connector - SACC-CI-M12FSX-8P SMD SH T - 1411964

Approvals

Approvals

EAC / UL Recognized / cUL Recognized / cULus Recognized

Ex Approvals

Approval details

| | | |
|-----|--|---------|
| EAC | | B.01742 |
|-----|--|---------|

| | | |
|--------------------|-------|--|
| UL Recognized | | http://database.ul.com/cgi-bin/XYV/template/LISEXT/1FRAME/index.htm E335024-20120308 |
| Nominal voltage UN | 60 V | |
| Nominal current IN | 0.5 A | |

| | | |
|--------------------|-------|--|
| cUL Recognized | | http://database.ul.com/cgi-bin/XYV/template/LISEXT/1FRAME/index.htm E335024-20120308 |
| Nominal voltage UN | 60 V | |
| Nominal current IN | 0.5 A | |

| | | |
|------------------|--|---|
| cULus Recognized | | http://database.ul.com/cgi-bin/XYV/template/LISEXT/1FRAME/index.htm |
|------------------|--|---|

Phoenix Contact 2018 © - all rights reserved
<http://www.phoenixcontact.com>

PHOENIX CONTACT GmbH & Co. KG
Flachsmarktstr. 8
32825 Blomberg
Germany
Tel. +49 5235 300
Fax +49 5235 3 41200
<http://www.phoenixcontact.com>