

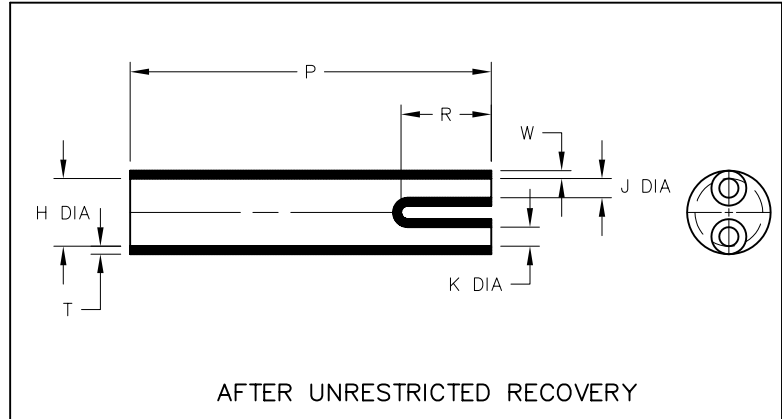
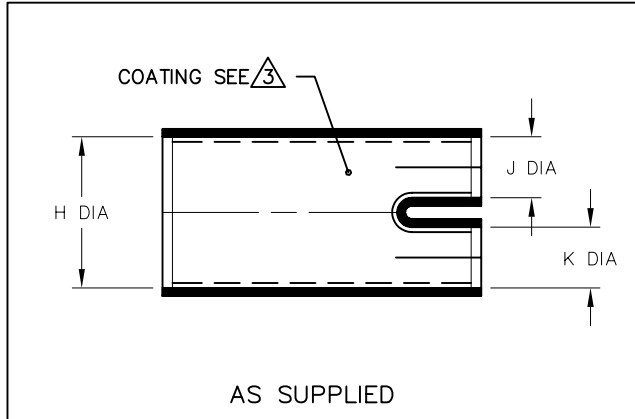
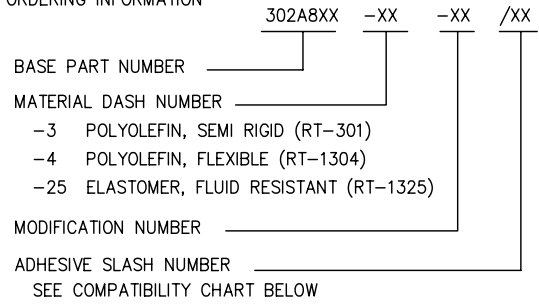
REVISIONS		
LTR	DESCRIPTION	DATE
J	ECO-09-003540	02/13/2009

**NOTES**

- ALL DIMENSIONS ARE IN  $\frac{\text{INCHES}}{\text{[MILLIMETERS]}}$
- DIMENSIONS APPEARING IN TABLE ARE AS FOLLOWS:
  - a - AS SUPPLIED
  - b - AFTER UNRESTRICTED RECOVERY

**3** COATING (ADHESIVE): IS OPTIONAL AS SUPPLIED DIMENSIONS APPEARING IN TABLE ARE FOR UNCOATED PARTS. WHEN COATING IS ADDED, ENTRY DIAMETER WILL BE REDUCED BY .06 MAX.

**4. ORDERING INFORMATION**



PART DESCRIPTION	H		J & K		P	R	T	W
	MIN a	MAX b	MIN a	MAX b	±10% b	±10% b	±20% b	±20% b
302A812	.80 [20,3]	.37 [9,4]	.33 [8,4]	.11 [2,8]	3.00 [76,2]	.77 [19,6]	.16 [4,1]	.09 [2,3]
302A823	1.20 [30,1]	.60 [15,2]	.50 [12,7]	.17 [4,3]	3.89 [97,8]	1.11 [28,2]	.14 [3,6]	.08 [2,0]
302A834	1.90 [48,3]	.90 [22,9]	.75 [19,1]	.30 [7,62]	4.67 [118,5]	1.33 [33,9]	.19 [4,8]	.15 [3,8]
302A845	3.00 [76,2]	.90 [22,9]	1.45 [36,8]	.30 [7,62]	4.67 [118,5]	1.33 [33,9]	.19 [4,8]	.16 [4,1]

If this document is printed it becomes uncontrolled. Check for the latest revision

**CUSTOMER DRAWING**

MATERIAL DASH NO.	ADHESIVE (COATING) SLASH NO.	ADHESIVE (COATING) S NO.
-3	/42; /86; /180	S-1017; S-1048; S1030
-4	/42; /86;	S-1017; S-1048;
-25	/86;	S-1048;

UNLESS OTHERWISE SPECIFIED DIMENSIONS ARE INCHES. METRIC DIMENSIONS ARE IN BRACKETS.  
 DECIMAL TOLERANCES  
 .XXX ± 0.005 [0.13 mm]  
 .XX ± 0.01 [0.25 mm]  
 .X ± 0.1 [0.50 mm]  
 ANGLE TOLERANCE  
 .X ± 1 DEG.

DRAWN: YUNGVYEN  
 APPROVED: JKUSTER  
 RPN  
 THIRD ANGLE PROJECTION

Raychem Molded Parts  
 305 Constitution Dr  
 Menlo Park, CA 94025

TITLE: TRANSITION, 3 ENTRY

SIZE: B CODE IDENT. NO: 06090 DVG. NO: 302A812thru845

© 2000-2009 Tyco Electronics Corporation. All rights reserved. DO NOT SCALE THIS DRAWING SHEET 1 OF 1