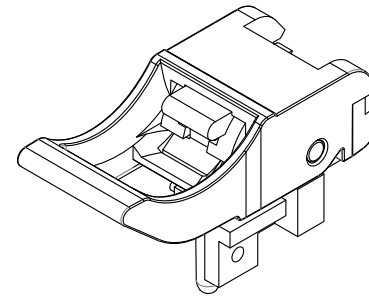
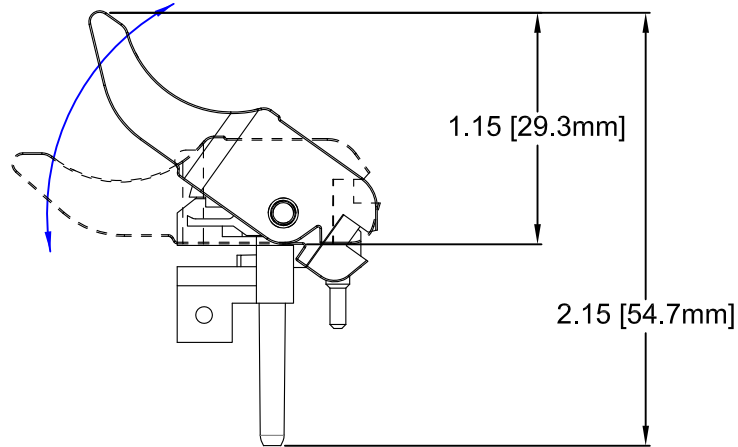
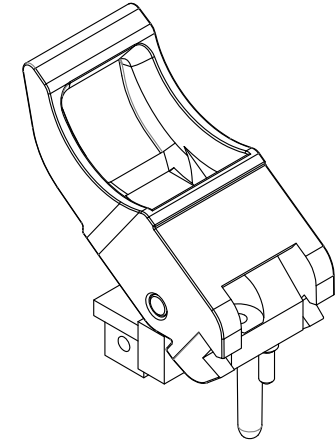


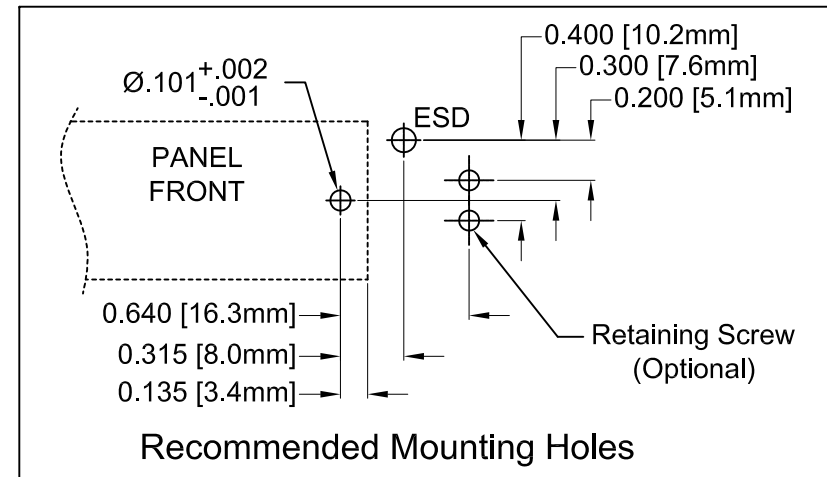
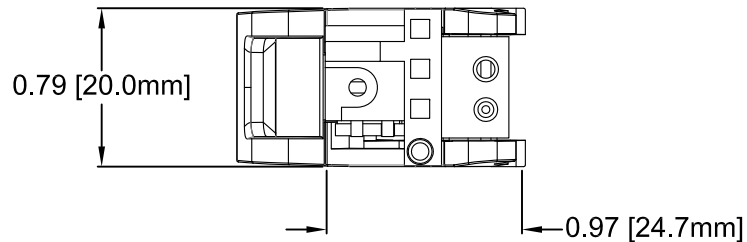
REV.	DESCRIPTION	DATE	APPROVED
A	Engineering Release.	06/26/14	J. C.



3D VIEW LOCKED




3D VIEW OPEN



NOTES:

1. Compliant with PICMG CPCI standard
2. Mounting screws shipped unassembled

STANDARD TOLERANCE (UNLESS OTHERWISE SPECIFIED)		 4 THOMAS, IRVINE, CA. 92618 TEL: (949) 951-8808 FAX: (949) 951-3974			
DECIMALS	ANGULAR	TITLE: CPCI EJECTOR HANDLE BOTTOM, STYLE E5			
.X ±.1	X° ± 1°				
.XX ±.01					
.XXX ±.005		DESIGNED:	DATE:	PART NO:	REVISION:
		Brian Oliver	06/26/14	CPCI-E5-B	A
		CHECKED:	DATE:	CAGE CODE : 32559	SHEET # 1 OF 1
		A. Wright	06/26/14	CAD GENERATED DOCUMENT, DO NOT MEASURE DRAWING.	