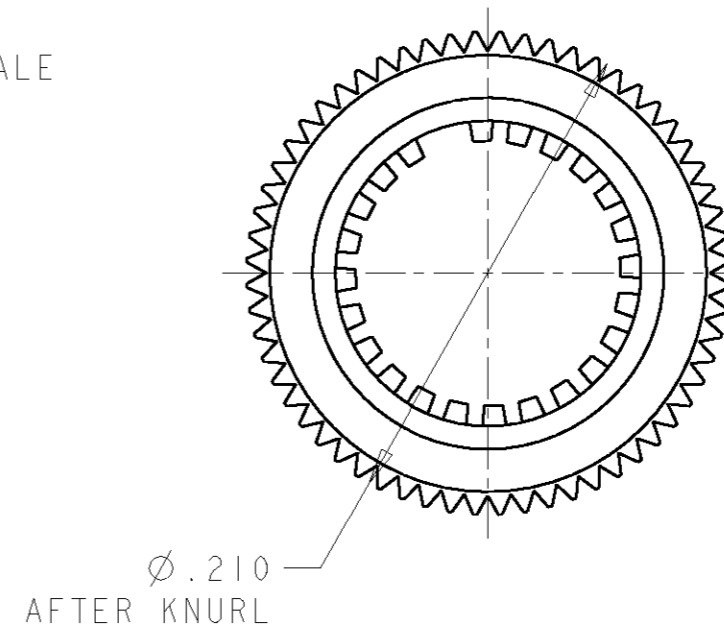
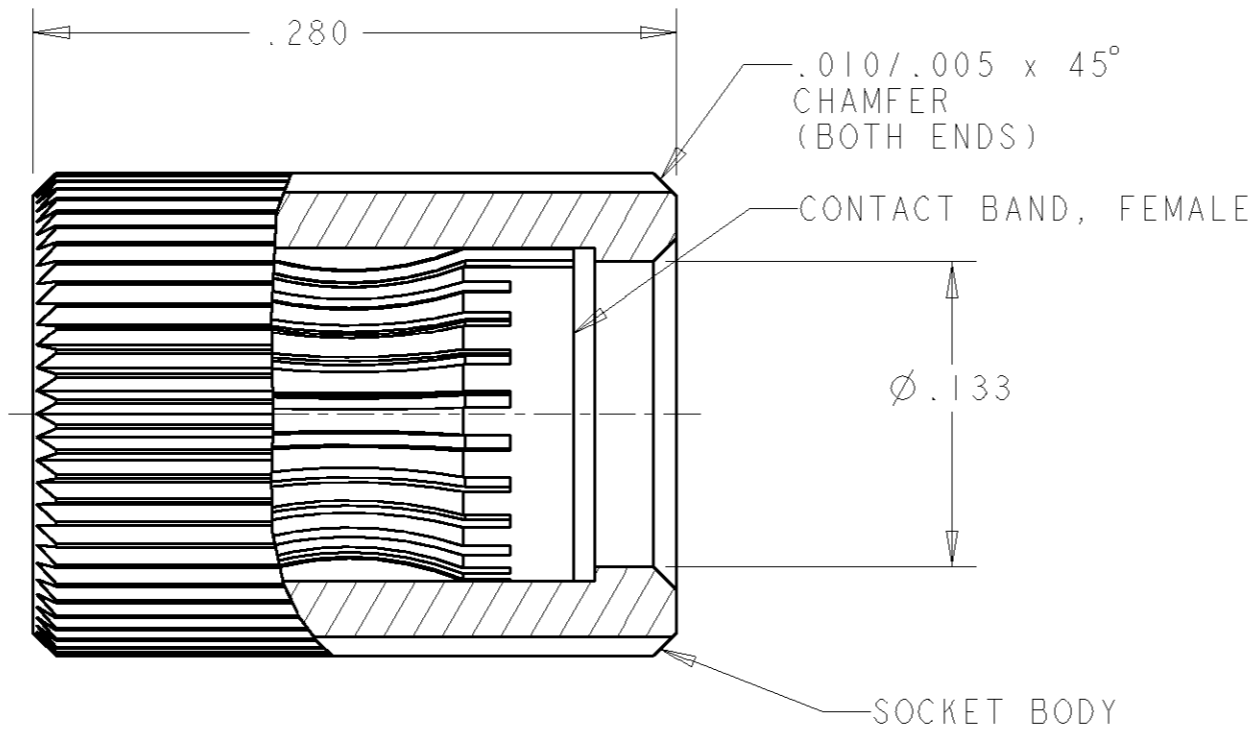


THIS DRAWING IS UNPUBLISHED. RELEASED FOR PUBLICATION 20
 © COPYRIGHT 20 BY TYCO ELECTRONICS CORPORATION. ALL RIGHTS RESERVED.

LOC	DIST	REVISIONS			
P	LTR	DESCRIPTION	DATE	DWN	APVD
GP	00	A	RELEASED	11JAN2007	RG SF



1. PART NUMBER CHANGES AND/OR DESIGN CHANGES AFFECTING ITEM INTERCHANGEABILITY REQUIRES PRIOR TYCO APPROVAL AND AUTHORIZATION BY REVISION TO THIS DRAWING.

2. RECOMMENDED BUS BAR HOLE $\phi .205 \pm .001$.

3 MATERIAL:
 SOCKET BODY - BRASS
 CONTACT BAND - BERYLLIUM COPPER

4 FINISH:
 SOCKET BODY - SILVER PLATE .000200 MIN THK. OVER NICKEL .000050 MIN THK.
 CONTACT BAND - SILVER PLATE .000200 MIN THK. OVER NICKEL .000040 MIN THK.

5. ITEMS PROVIDED TO THIS SPECIFICATION SHALL BE IDENTIFIED ON THE PACKAGE AS FOLLOWS: MFG IDENTIFICATION AND PART NUMBER

6. MATES WITH A $\phi .125$ " PIN.

AS SHOWN	1926360-1
DESCRIPTION	PART NUMBER

<small>THIS DRAWING IS A CONTROLLED DOCUMENT FOR TYCO ELECTRONICS CORPORATION. IT IS SUBJECT TO CHANGE AND THE CONTROLLING ENGINEERING ORGANIZATION SHOULD BE CONTACTED FOR THE LATEST REVISION.</small>		DWN R.GRZYBOWSKI 11JAN2007 CHR S.FLICKINGER 11JAN2007 APVD S.FLICKINGER 11JAN2007		tyco Tyco Electronics Electronics Harrisburg, PA 17105-3608	
DIMENSIONS: INCHES 		TOLERANCES UNLESS OTHERWISE SPECIFIED: 0 PLC \pm - 1 PLC \pm - 2 PLC $\pm .010$ 3 PLC $\pm .005$ 4 PLC \pm - ANGLES \pm -		NAME SOCKET ASSEMBLY, SPECIAL, PRESS FIT FOR NO.10 CROWN CPU BUS PRODUCT SPEC - APPLICATION SPEC - WEIGHT -	
MATERIAL $\triangle 3$		FINISH $\triangle 4$		SIZE A3 CAGE CODE 00779 DRAWING NO C-1926360 RESTRICTED TO -	
CUSTOMER DRAWING				SCALE 10:1 SHEET 1 OF 1 REV A	