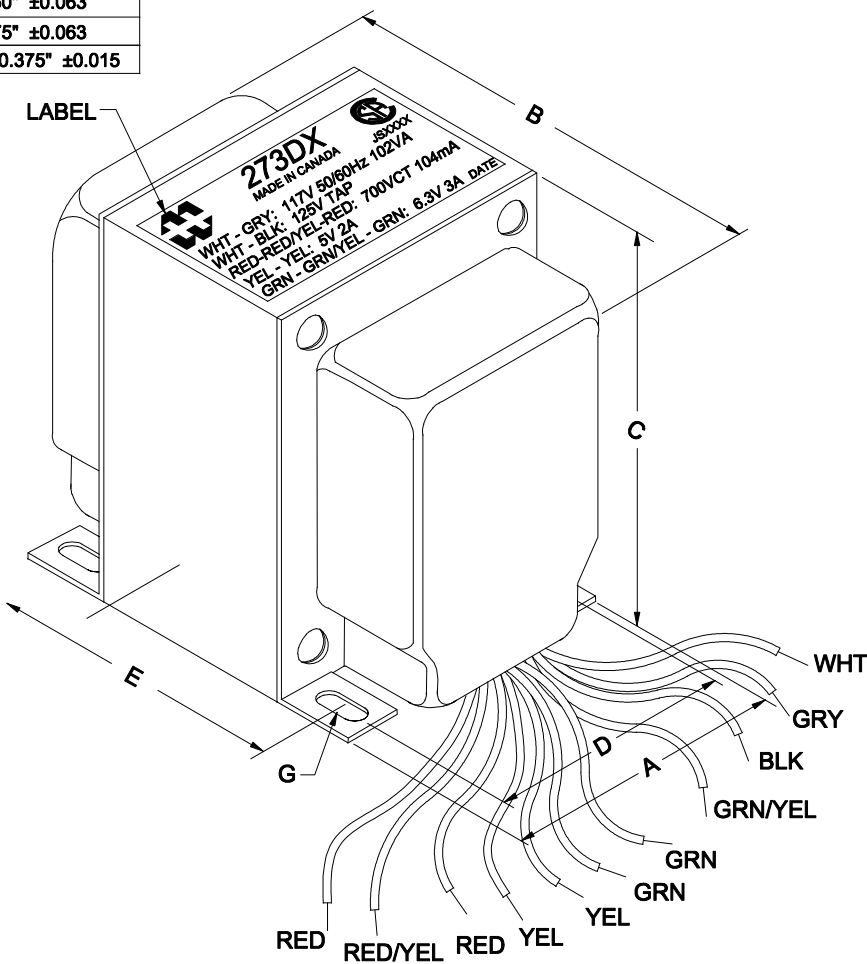
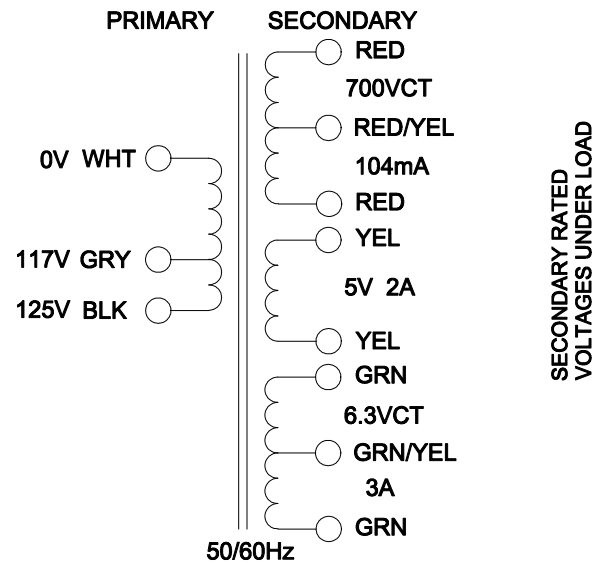


| DIMENSIONS: | |
|-------------|------------------------|
| A | 2.813" ±0.063 |
| B | 3.560" ±0.125 |
| C | 3.421" ±0.063 |
| D | 2.250" ±0.063 |
| E | 2.375" ±0.063 |
| G | 0.203" x 0.375" ±0.015 |



NOTE: ALL LEADS 6" OUT MIN. STRIPPED 0.5"



| ELECTRICAL DATA: | | |
|------------------|---------------------------------|---------------------|
| TESTS | CONDITIONS | ACCEPTANCE CRITERIA |
| Iex | @ 125V, 60Hz, WHT - BLK | 310.8mA Max. |
| Sec. N.L.V | @ 125V, 60Hz, WHT - BLK | |
| | RED - RED = | 738.3V ±2% |
| | RED - RED/YEL = RED/YEL - RED = | 369.1V ±2% |
| | YEL - YEL = | 5.510V ±2% |
| | GRN - GRN/YEL = GRN/YEL - GRN = | 3.444V ±2% |
| | GRN - GRN = | 6.887V ±2% |
| DCR | @ 20°C, WHT - BLK = | 3.756 Ω ±20% |
| | @ 20°C, RED - RED = | 163.6 Ω ±20% |
| | @ 20°C, YEL - YEL = | 0.052 Ω ±20% |
| | @ 20°C, GRN - GRN = | 0.068 Ω ±20% |
| HIPOT | PRIMARY - SECONDARY | 3000V, 60Hz, 1 SEC |

| REV.# | REVISION | DATE |
|-------|----------------|----------|
| 0 | RELEASED. C.I. | 11/28/12 |

HAMMOND MANUFACTURING™ ELECTRONIC DIVISION
 52 RANKIN PLACE, WATERLOO, ONTARIO, N2J 3Z5
 PH # (519) 886-6181 FAX # (519) 886-9540

| | | | |
|------------------|-------------------------|--------------------------|----------------|
| DWG. BY: C. ILIE | CHK'D BY: | TITLE: POWER TRANSFORMER | DWG. NO. 273DX |
| DATE: 11/28/12 | APP'D. BY: | | |
| | DIMENSIONS: IN(X) MM() | | |