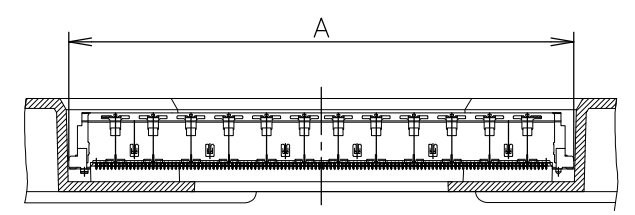
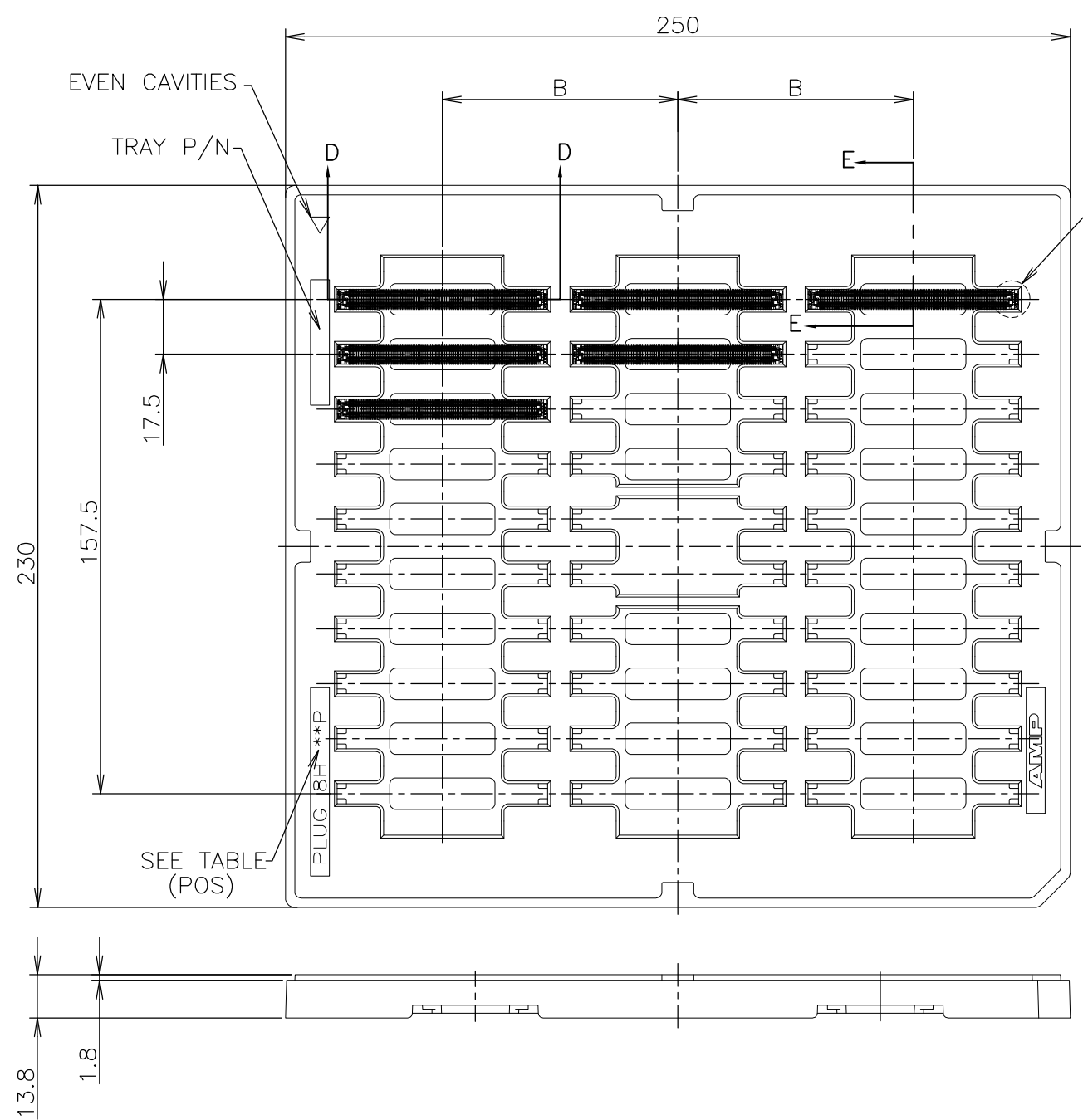
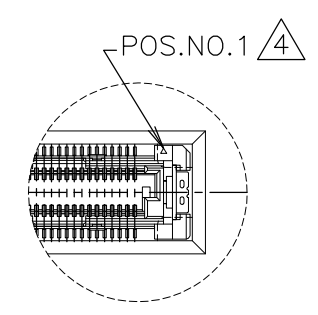


THIS DRAWING IS UNPUBLISHED. RELEASED FOR PUBLICATION .2005.  
 © COPYRIGHT 2005 By - ALL RIGHTS RESERVED.

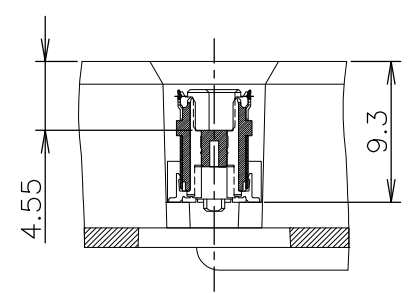
LOC	DIST	REVISIONS			
P	LTR	DESCRIPTION	DATE	DWN	APVD
J	/				
	D	REVISED PER ECR-13-010724	05JUL2013	I.T	S.Y



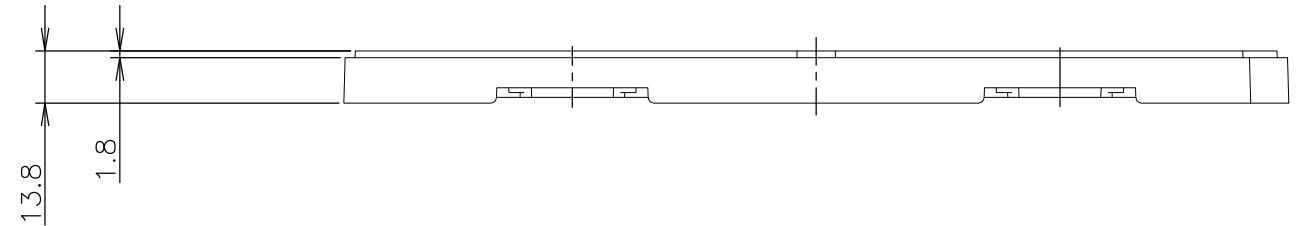
SECT. D-D  
(SCALE 2:1)  
(CONNECTOR NOT SECTION)



DETAIL C  
(SCALE 2:1)



SECT. E-E  
(SCALE 2:1)



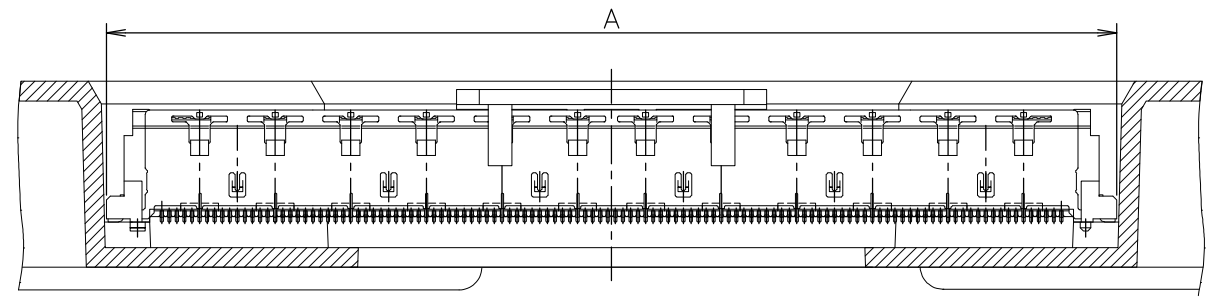
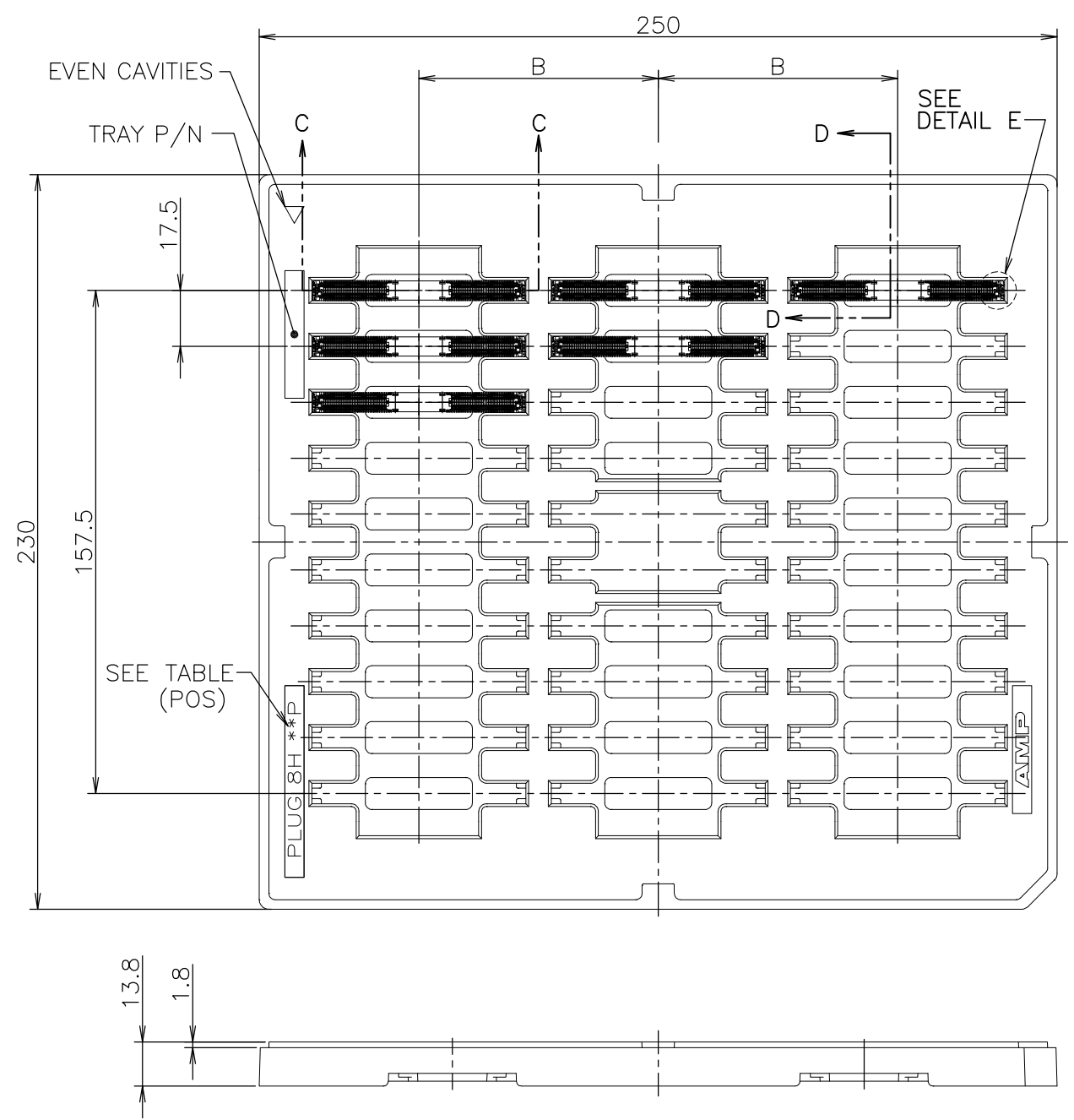
WITHOUT PICK UP CAP

YES $\Delta$	3	30	75	61.8	220	8-6318491-6
NO	3	30	75	61.8	220	3-6318491-6
SEALANT	ROW	QTY	B	A	POS.	PART NO.

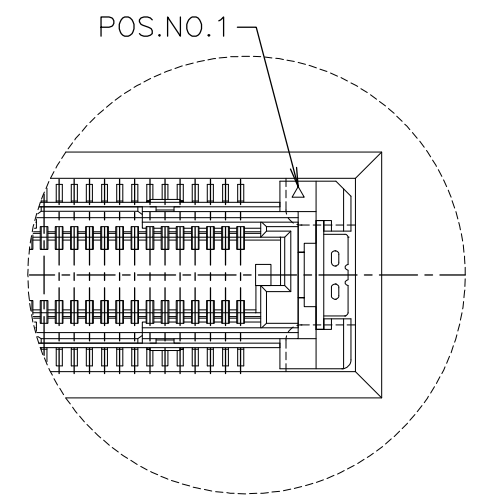
THIS DRAWING IS A CONTROLLED DOCUMENT.		DWN	S.CHIEN	26SEP05	<b>TE Connectivity</b>			
DIMENSIONS: MM		CHK	T.FUTATSUGI	26SEP05				
TOLERANCES UNLESS OTHERWISE SPECIFIED:		APVD	W.KODAMA	26SEP05				
0 PLC $\pm 0.3$ 1 PLC $\pm 0.3$ 2 PLC $\pm 0.3$ 3 PLC $\pm 0.3$ 4 PLC $\pm 0.3$ ANGLES $\pm 3'$		PRODUCT SPEC	108-5560	NAME			HARD TRAY ASSY FH 0.5BTB CONNECTOR 220POS PLUG 8H WITH GROUND PLATE	
MATERIAL		FINISH	WEIGHT	APPLICATION SPEC	SIZE	CAGE CODE	DRAWING NO	RESTRICTED TO
					A3	00779	C-6318491	
CUSTOMER DRAWING				SCALE	1:2	SHEET	1 OF 4	REV
								D

THIS DRAWING IS UNPUBLISHED. RELEASED FOR PUBLICATION .2005.  
 © COPYRIGHT 2005 By - ALL RIGHTS RESERVED.

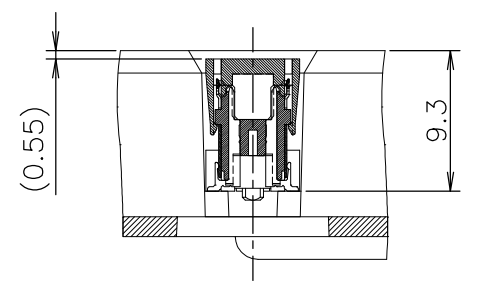
LOC	DIST	REVISIONS			
P	LTR	DESCRIPTION	DATE	DWN	APVD
J	-	SEE SHEET 1	-	-	-



SECT. C-C  
(SCALE 2:1)




DETAIL E  
(SCALE 4:1)



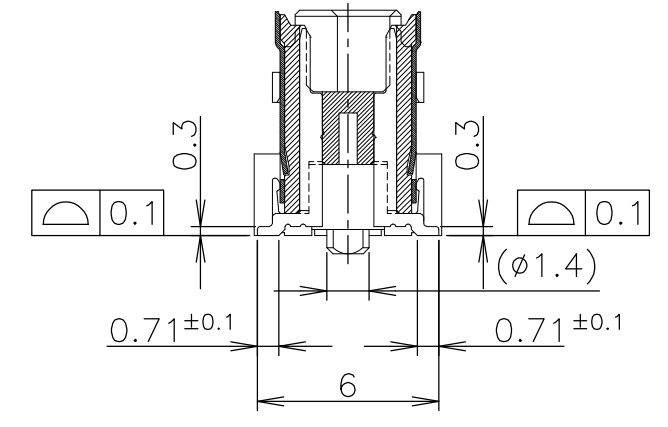
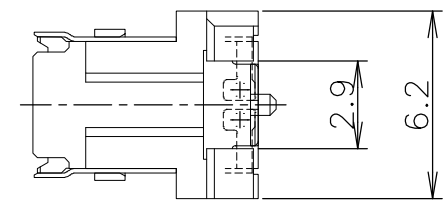
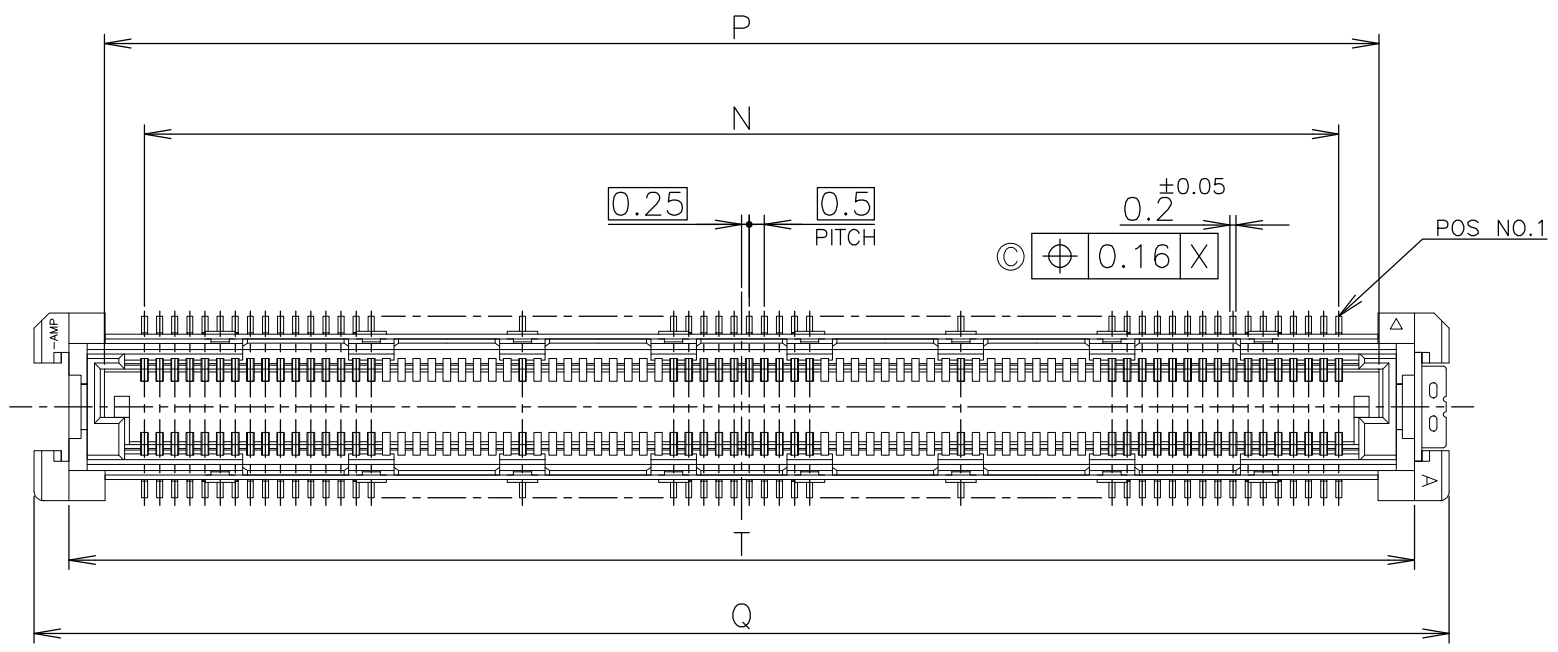
SECT. D-D  
(SCALE 2:1)

WITH PICK UP CAP

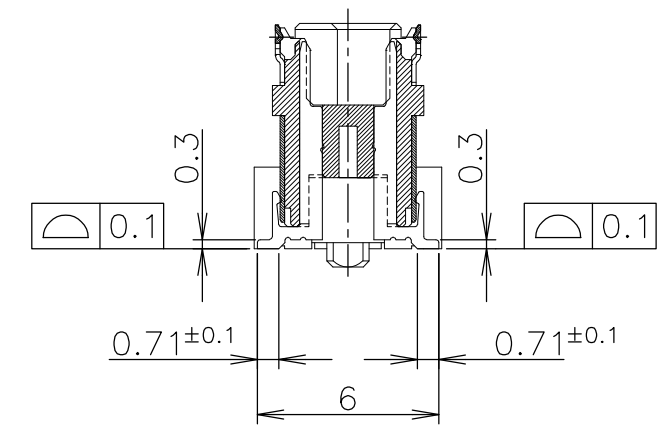
THIS DRAWING IS A CONTROLLED DOCUMENT.		DWN S.CHIEN 26SEP05	 TE Connectivity <b>HARD TRAY ASSY</b> FH 0.5BTB CONNECTOR 220POS PLUG 8H WITH GROUND PLATE				
DIMENSIONS: MM		CHK T.FUTATSUGI 26SEP05					NAME
TOLERANCES UNLESS OTHERWISE SPECIFIED:		APVD W.KODAMA 26SEP05					PRODUCT SPEC
0 PLC ± 0.3 1 PLC ± 0.3 2 PLC ± 0.3 3 PLC ± 0.3 4 PLC ± 0.3 ANGLES ± 3°		APPLICATION SPEC					108-5560
MATERIAL -		FINISH -	WEIGHT -	SIZE A3	CAGE CODE 00779	DRAWING NO C-6318491	RESTRICTED TO
CUSTOMER DRAWING			SCALE 1:2	SHEET 2 OF 4	REV D		

THIS DRAWING IS UNPUBLISHED. RELEASED FOR PUBLICATION NOV , 1996.  
 © COPYRIGHT 1996 By - ALL RIGHTS RESERVED.

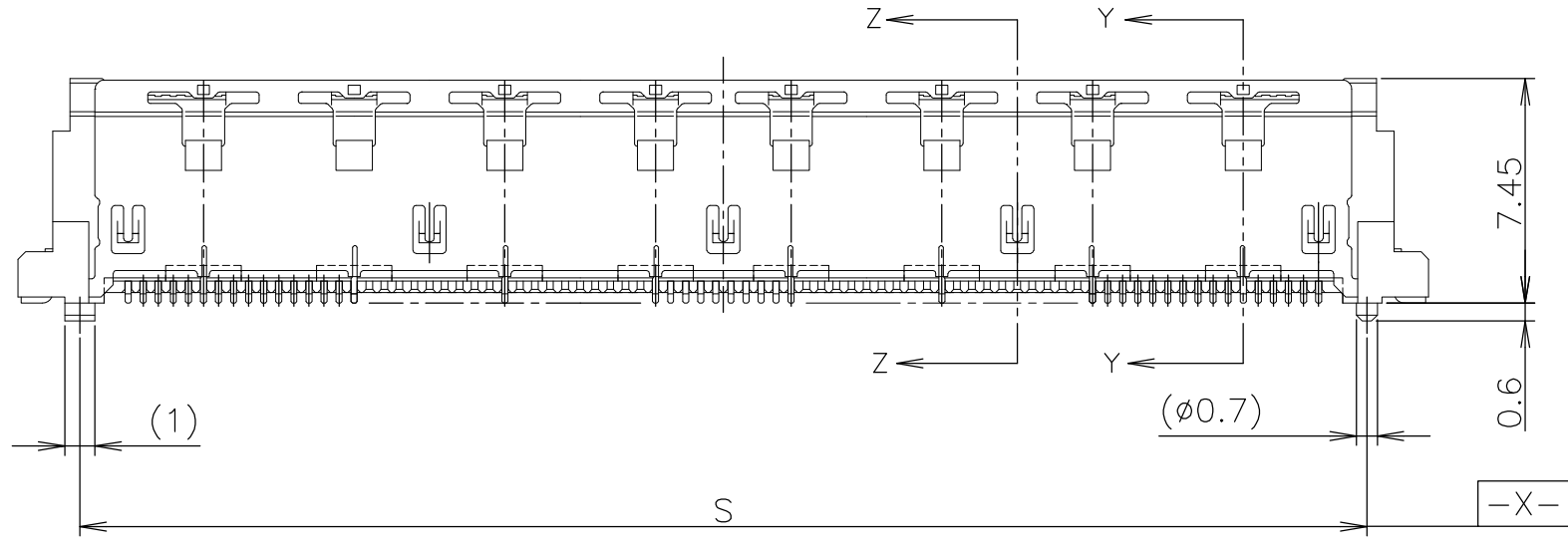
LOC	DIST	REVISIONS			
P	LTR	DESCRIPTION	DATE	DWN	APVD
		SEE SHEET 1	-	-	-



SECT. Z-Z  
(SIGNAL POSITION)



SECT. Y-Y  
(GROUND POSITION)



NOTE:

- ① MATERIAL ; HOUSING : HIGH TEMP THERMO PLASTIC UL94V-0  
CONTACT : COPPER ALLOY  
SOLDER PEG : COPPER ALLOY
- ② FINISH ; SIGNAL CONTACT : UNDER PL Ni 0.0013mm MIN ALL OVER.  
CONTACT AREA 0.0002mm MIN Au PL.  
SOLDERING AREA 0.001mm MIN TIN PL.  
GROUND CONTACT : UNDER PL Ni 0.0013mm MIN ALL OVER.  
CONTACT AREA 0.0002mm MIN Au PL.  
SOLDERING AREA 0.001mm MIN TIN PL.  
SOLDER PEG : 0.001mm MIN TIN PL. OVER  
0.0013mm MIN Ni PL ALL OVER.
- ③ THIS POSITION IS GROUND CIRCUIT.
- ④ THIS PRODUCT WAS COATED BY FLUX-PENETRATION-INHIAITING AGENT.

59.5	57.7	61.8	57.1	54.5	220	BLACK	9-6318491-6
59.5	57.7	61.8	57.1	54.5	220	BLACK	8-6318491-6
59.5	57.7	61.8	57.1	54.5	220	BLACK	3-6318491-6
T	S	Q	P	N	POS.	HSG COLOR	PART NO.

THIS DRAWING IS A CONTROLLED DOCUMENT.		DWN		TE Connectivity NAME HARD TRAY ASSY FH 0.5BTB CONNECTOR 220POS PLUG 8H WITH GROUND PLATE									
DIMENSIONS: MM		TOLERANCES UNLESS OTHERWISE SPECIFIED:						APVD					
0 PLC ± 0.3 1 PLC ± 0.3 2 PLC ± 0.3 3 PLC ± 0.3 4 PLC ± 0.3 ANGLES ± 3°		PRODUCT SPEC						NAME					
MATERIAL ①		FINISH ②						APPLICATION SPEC					
MATERIAL ①		FINISH ②		WEIGHT		SIZE		CAGE CODE		DRAWING NO		RESTRICTED TO	
CUSTOMER DRAWING				SCALE 4:1		SHEET 3 OF 4		REV D		A300779		C-6318491	

