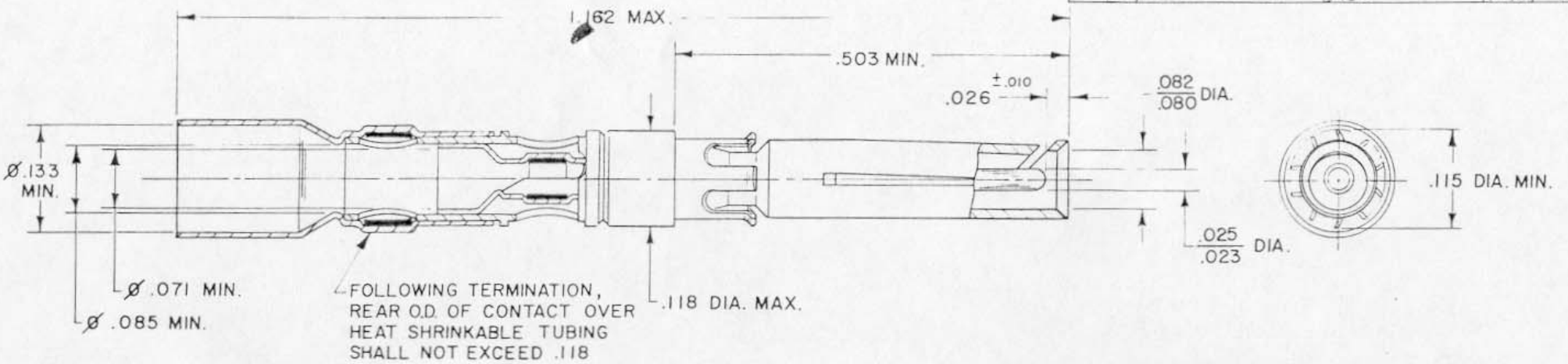


N/C	INITIAL RELEASE	DCO# 01593	6-2-80	JCC
-A-	REVISED PER E.O. #D-0917		1/10/81	RF
B	REVISED PER E.C.N T-5436		1/22/86	N. N. 888



NOTES:

1. THIS CONTACT IS DESIGNED FOR USE IN MIL-C-28748 SIZE 16 CAVITIES.
2. THIS CONTACT IS DESIGNED TO TERMINATE TO THE CABLES IN TABLE. OTHER APPLICATIONS SHOULD BE SUBMITTED TO RAYCHEM FOR EVALUATION.
3. FOR TERMINATION PROCEDURE: SEE ES 61164
4. MATING CONTACT (FOR SIMILAR CABLES) D-602-76
5. ALIGNMENT BUSHING CHA-0002 TO BE SUPPLIED WITH CONTACT.

CONTACT CHARACTERISTICS:

MATERIALS:

- CONTACT MEMBERS: COPPER ALLOY PER QQ-B-626 & QQ-C-530
 CONTACT PLATING: GOLD PER MIL-G-45204, NICKEL PER QQ-N-290 OVER COPPER FLASH.
 SPRING MEMBER: BERYLLIUM COPPER PER QQ-C-533
 SPRING PLATING: NICKEL PER QQ-N-290
 DIELECTRIC: FLUOROPOLYMER.
 SOLDER: SN63 PER QQ-S-571
 CABLE SUPPORT TUBING: POLYVINYLIDENE FLUORIDE

PERFORMANCE:

- TEMPERATURE RATING: 125°C. MAXIMUM
 CURRENT RATING: 3 AMPS
 VOLTAGE RATING: DIELECTRIC WITHSTAND VOLTAGE, 900 VOLTS RMS, MAXIMUM
 CONTACT RESISTANCE: 10 MILLIOHMS MAXIMUM (INNER); 8 MILLIOHMS MAXIMUM (OUTER)
 INSULATION RESISTANCE: 5,000 MEGOHMS MINIMUM
 ENGAGEMENT FORCE, OUTER SOCKET: 16 OZ. MAXIMUM.
 SEPARATION FORCE, OUTER SOCKET: 175 OZ. MINIMUM.

RG CABLE NO.	RAYCHEM CABLE NO.
RG - 179 B/U	5026A IXIX
RG - 187/U	5030A IXIX
RG - 316 /U	7528A IXIX
	7530A IXIX
	9532A IXIX

CONNECTOR SPECIFICATION CONTROL DRAWING

UNLESS OTHERWISE SPECIFIED DIMENSIONS ARE IN INCHES. BRACKETED DIMENSIONS () ARE METRIC AND TOLERANCES ARE:	DRAWN	DJW	2-15-80	Tyco Electronics Corporation 300 Constitutional Drive Menlo Park, CA 94025 USA Raychem
	CHECKED			
	APPROVED	308	4/5/80	
	APPROVED	JW	5/21/80	
.XXX ± () .XX ± () Δ ±				TITLE SHIELDED CONTACT, SOCKET COAXIAL CABLE
	SIZE	CODE IDENT	DWG. NO.	
	C	NO. 06090	D-602-77	
		WEIGHT		OF

If this document is printed it becomes uncontrolled. Check for the latest revision.

DO NOT SCALE THIS DRAWING