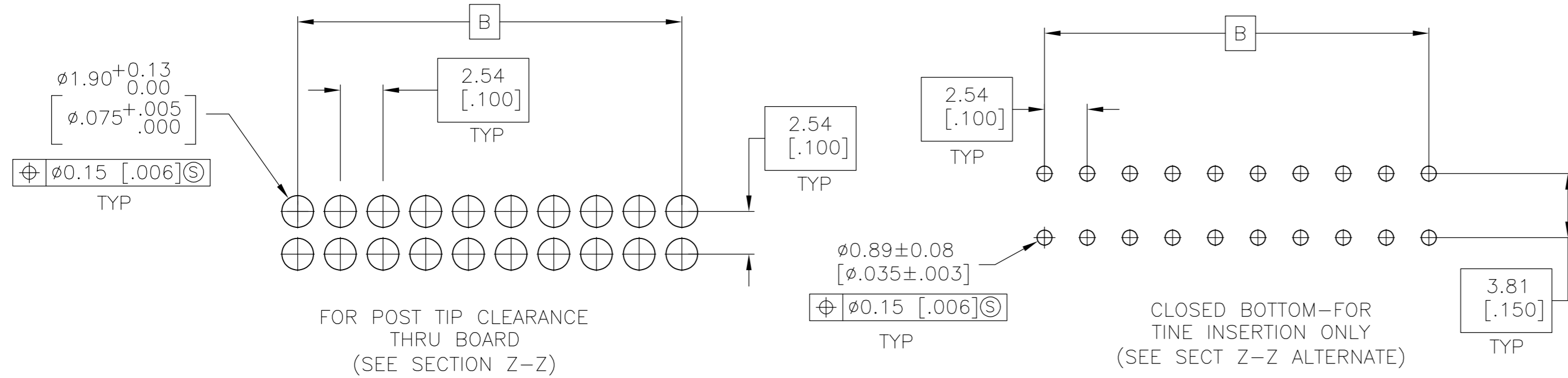
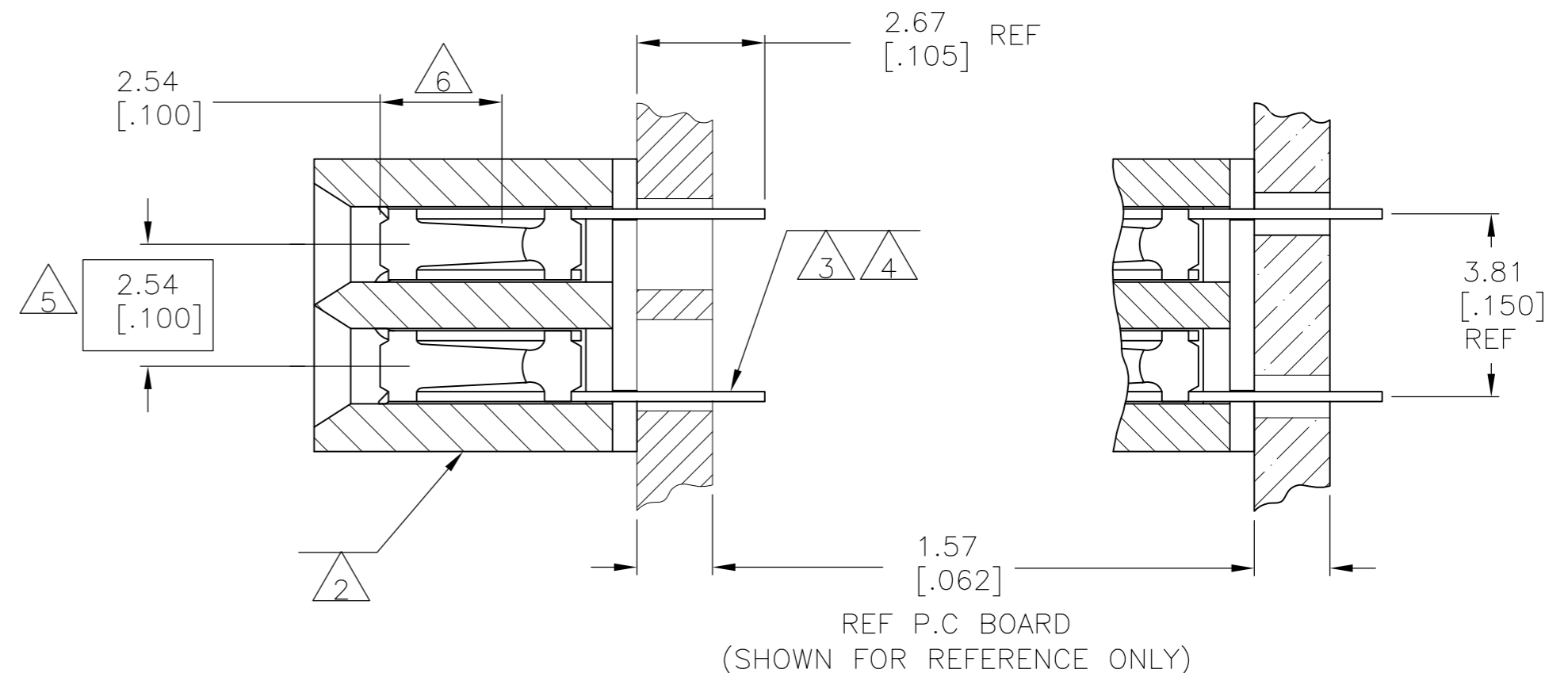
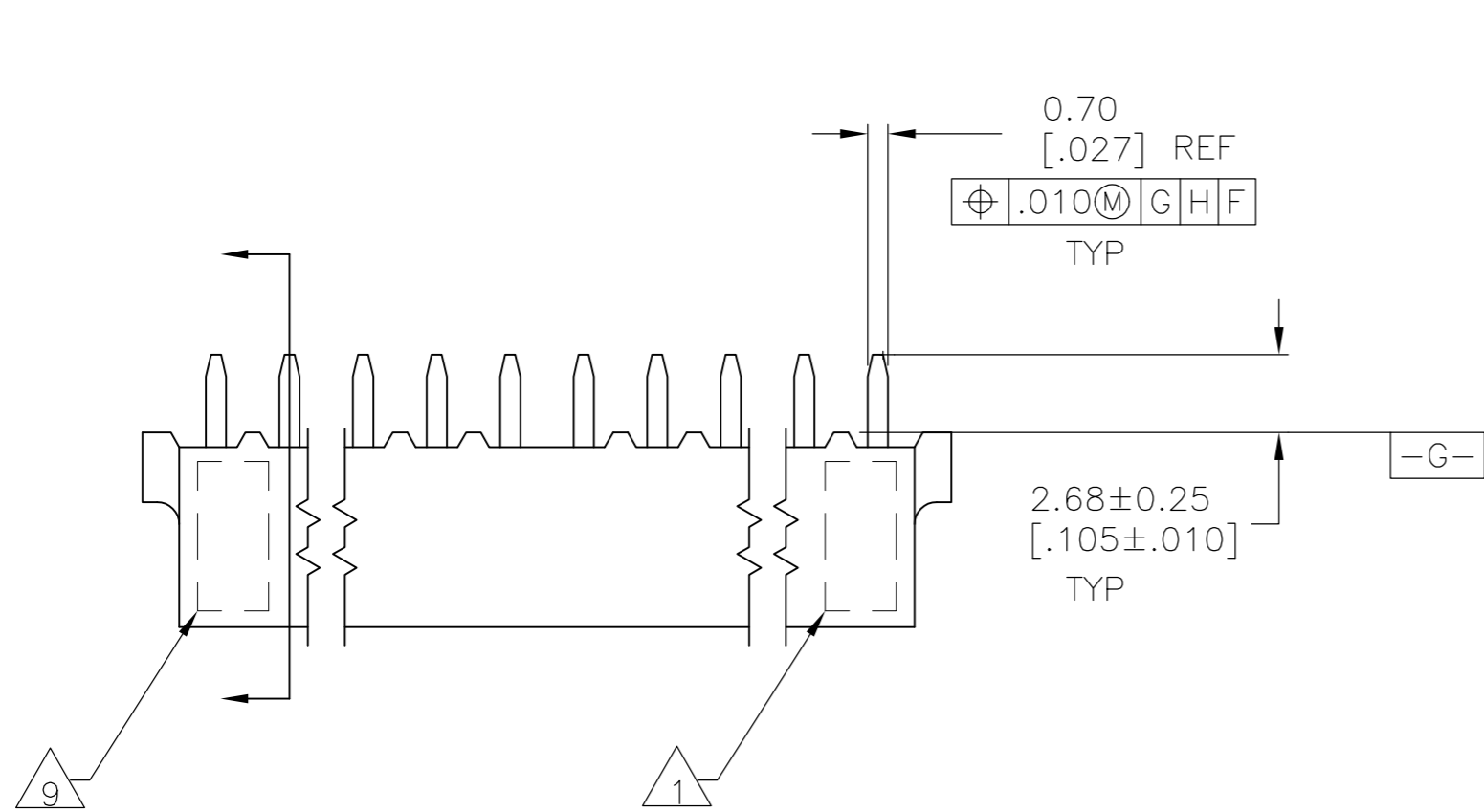


THIS DRAWING IS UNPUBLISHED. RELEASED FOR PUBLICATION
 © COPYRIGHT BY TYCO ELECTRONICS CORPORATION. ALL RIGHTS RESERVED.

LOC		DIST		REVISIONS			
P	LTR	DESCRIPTION	DATE	DWN	APVD		
	G	EC 0G3C 0045 05	25MAY05	BSV	JRO		
	G1	REVISED PER ECO-09-021510	11SEP09	KK	AEG		

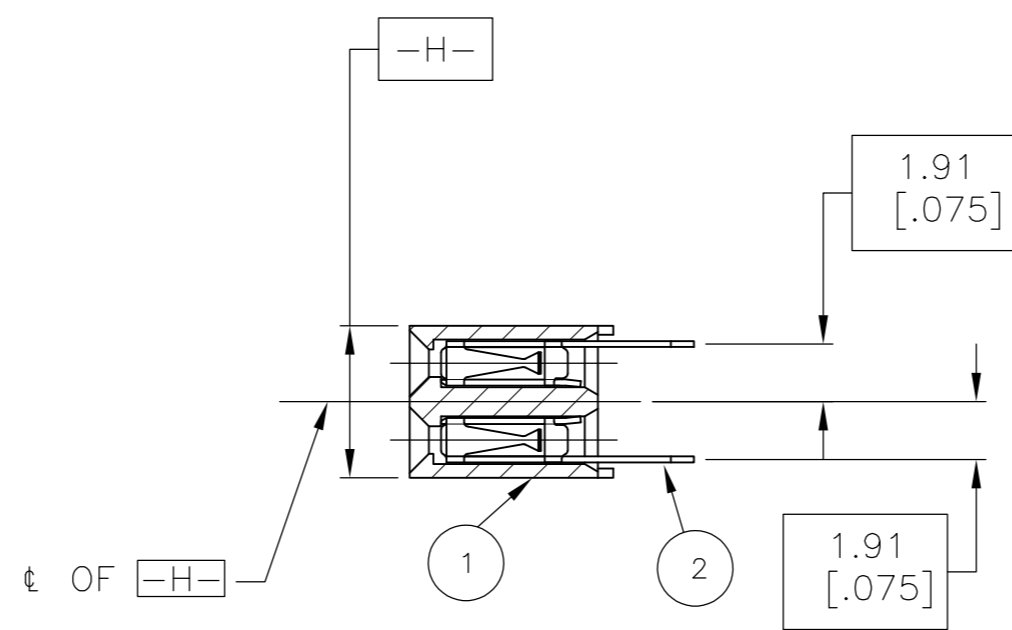
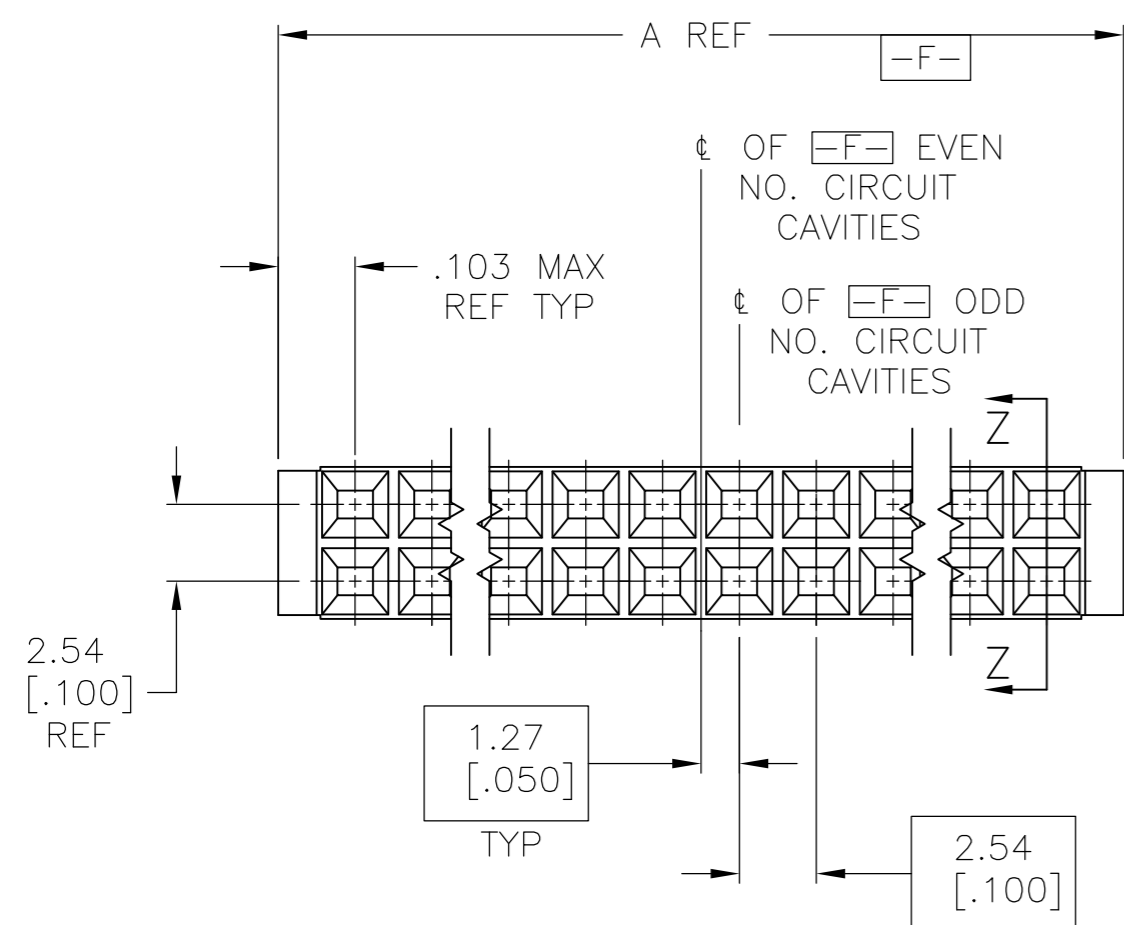


RECOMMENDED MOUNTING HOLE LAYOUT



SECTION Z-Z
SCALE 8:1

SECTION Z-Z
ALTERNATE
SCALE 8:1



THIS DRAWING IS A CONTROLLED DOCUMENT.		DWN K.L.CLOUSER/UTA 1/31/91	Tyco Electronics Corporation Harrisburg, Pa 17105-3608
DIMENSIONS: mm [INCHES]		CHK R BENDORF 5/22/91	
TOLERANCES UNLESS OTHERWISE SPECIFIED:		APVD R BENDORF 5/22/91	NAME RECEPTACLE ASSY, MOD IV, DBL ROW, 2.54 X 2.54 [.100 X .100] C/L, 2.54 [.100] POINT-OF -CONTACT, TOP ENTRY, VERTICAL MOUNT
0 PLC ± - 1 PLC ± - 2 PLC ± - 3 PLC ± - 4 PLC ± - ANGLES ± -		PRODUCT SPEC	SIZE A2
MATERIAL HOUSING: 2 CONTACT: 3		APPLICATION SPEC	CAGE CODE 00779
FINISH 4 7		WEIGHT	DRAWING NO C=533015
		CUSTOMER DRAWING	RESTRICTED TO
		SCALE 4:1	SHEET 1 OF 2 REV G1

THIS DRAWING IS UNPUBLISHED. RELEASED FOR PUBLICATION
 © COPYRIGHT BY TYCO ELECTRONICS CORPORATION. ALL RIGHTS RESERVED.

LOC	DIST	REVISIONS				
P	LTR	DESCRIPTION	DATE	DWN	APVD	
AD	00	SEE SHEET 1	-	-	-	

- △1 TYCO LOGO AND CSA LOGO ARE MOLDED INTO THE HOUSING
- △2 HOUSING: FLAME RETARDANT THERMOPLASTIC; COLOR: BLACK.
- △3 CONTACT: PHOSPHOR BRONZE.
- △4 CONTACT FINISH: DUPLEX PLATED 0.000762 [.000030] GOLD IN CONTACT AREA, 0.00381-0.00762 [.000150-.000300] BRIGHT TIN-LEAD ON SOLDER LEADS, ALL OVER 0.00127 [.000050] MINIMUM NICKEL.
- △5 THESE DIMENSIONS PERTAIN TO CAVITY C/L 'S ONLY, NOT TO CONTACT LOCATIONS.
- △6 POINT OF MEASUREMENT FOR PLATING THICKNESS (INSIDE CONTACT BEAMS).
- △7 CONTACT FINISH: DUPLEX PLATED 0.000762 [.000030] GOLD IN CONTACT AREA, 0.00381-0.00762 [.000150-.000300] MATTE TIN ON SOLDER LEADS, ALL OVER 0.00127 [.000050] MINIMUM NICKEL.
- △8 ROHS 2002/95/EC COMPLIANT
- △9 PART NUMBER AND DATE CODE ARE MARKED IN APPROXIMATE LOCATION SHOWN
- △10 OBSOLETE PARTS: OBSOLETE CIS STREAMLINING PER D.RENAUD/D.SINISI

OBSOLETE	△7	38.10 [1.500]	43.18 [1.700]	32	△8	5-533015-9
	△7	35.56 [1.400]	40.64 [1.600]	30	△8	5-533015-8
	△7	33.02 [1.300]	38.10 [1.500]	28	△8	5-533015-7
	△7	30.48 [1.200]	35.56 [1.400]	26	△8	5-533015-6
	△7	25.40 [1.000]	30.48 [1.200]	22	△8	5-533015-5
	△7	22.86 [.900]	27.94 [1.100]	20	△8	5-533015-4
	△7	17.78 [.700]	22.84 [.900]	16	△8	5-533015-3
	△7	10.16 [.400]	15.24 [.600]	10	△8	5-533015-2
	△7	7.62 [.300]	12.70 [.500]	8	△8	5-533015-1
	△10	OBSOLETE	△4	38.10 [1.500]	43.18 [1.700]	32
		△4	35.56 [1.400]	40.64 [1.600]	30	533015-8
		△4	33.02 [1.300]	38.10 [1.500]	28	533015-7
△10	OBSOLETE	△4	30.48 [1.200]	35.56 [1.400]	26	533015-6
△10	OBSOLETE	△4	25.40 [1.000]	30.48 [1.200]	22	533015-5
△10	OBSOLETE	△4	22.86 [.900]	27.94 [1.100]	20	533015-4
		△4	17.78 [.700]	22.84 [.900]	16	533015-3
		△4	10.16 [.400]	15.24 [.600]	10	533015-2
△10	OBSOLETE	△4	7.62 [.300]	12.70 [.500]	8	533015-1
	FINISH	B	A	NO OF POSN	PART NUMBER	

THIS DRAWING IS A CONTROLLED DOCUMENT.		DWN K.L.CLOUSER/UTA 1/31/91	Tyco Electronics Corporation Harrisburg, Pa 17105-3608	
DIMENSIONS: mm [INCHES]		CHK R BENDORF 5/22/91	NAME RECEPTACLE ASSY, MOD IV, DBL ROW, 2.54 X 2.54 [.100 X .100] C/L, 2.54 [.100] POINT-OF -CONTACT, TOP ENTRY, VERTICAL MOUNT	
TOLERANCES UNLESS OTHERWISE SPECIFIED: 0 PLC ± - 1 PLC ± - 2 PLC ± - 3 PLC ± - 4 PLC ± - ANGLES ± -		APVD R BENDORF 5/22/91	PRODUCT SPEC -	
MATERIAL		APPLICATION SPEC -	SIZE A2	CAGE CODE 00779
FINISH		WEIGHT -	DRAWING NO C=533015	RESTRICTED TO -
CUSTOMER DRAWING			SCALE 1:1	SHEET 2 OF 2
			REV G1	