
REFERENCE SPECIFICATIONS

MODEL

Product Name : AC servo driver

Part Number : MINAS-A5NL, A5N9 Series

Issued on
Mar. 6th, 2012
Revised on

Motor Business Unit, Appliances Company
Panasonic Corporation

7-1-1 Morofuku, Daito-City, Osaka 574-0044, Japan

Phone : (072) 871-1212

Fax : (072) 870-3151

Contents

1. Scope	1
2. Product number	1
3. Product Line-up	2
4. Specifications	3
4-1 Basic Specifications	3
4-2 Compatible Standard (Under Contemplation)	3
5. Dimensions	4
6. Appearance and Part Names	12
7. Configuration of Connectors and Terminal Blocks	21
7-1 Power Connector [XA], [XB], [XC], [XD] and Terminal Block	21
7-2 USB Connector [X1]	24
7-3 RTEX connectors [X2A] and [X2B]	25
7-4 Safety function connector [X3] (for MINAS-A5N9 Series)	25
7-5 I/O Connector [X4]	26
7-6 Feedback Scale Connector [X5]	28
7-7 CS signal Connector [X6]	28
7-8 Monitor Connector [X7]	29
8. Wiring	32
8-1 Used Cables and Maximum Cable Lengths	32
8-2 Cable Side Connector	32
8-3 Precautions for Wiring	33
9. Compliance with European EC Directive/UL Standard	52
9-1 European EC Directive	52
9-2 Peripheral Device Configuration	53
9-3 List of Peripheral Devices Applicable to Servo Driver	55
9-4 Compliance with UL Standard	57
10. Compliance with SEMI F47 Instantaneous Stop Standard	57
11. Compliance with KC mark	57
12. Safety Precautions	58
13. Life and Warranty	62
13-1 Life Expectancy of the Driver	62
13-2 Typical Life	62
13-3 Warranty Period	62
14. Others	63
Specification for Each Model	

1. Scope

The specifications are for AC servo driver MINAS-A5NL Series and MINAS-A5N9 Series made by Motor Business Unit, Appliances Company, Panasonic Corporation.

<Software version>

This technical reference applies to the servo drivers compatible with software of the following version:

Ver.8.01 or later

For the software version, confirm it by the setup support software PANATERM or other function.

<Related documents>

SX-DSV02309: Technical document - Functional specification -

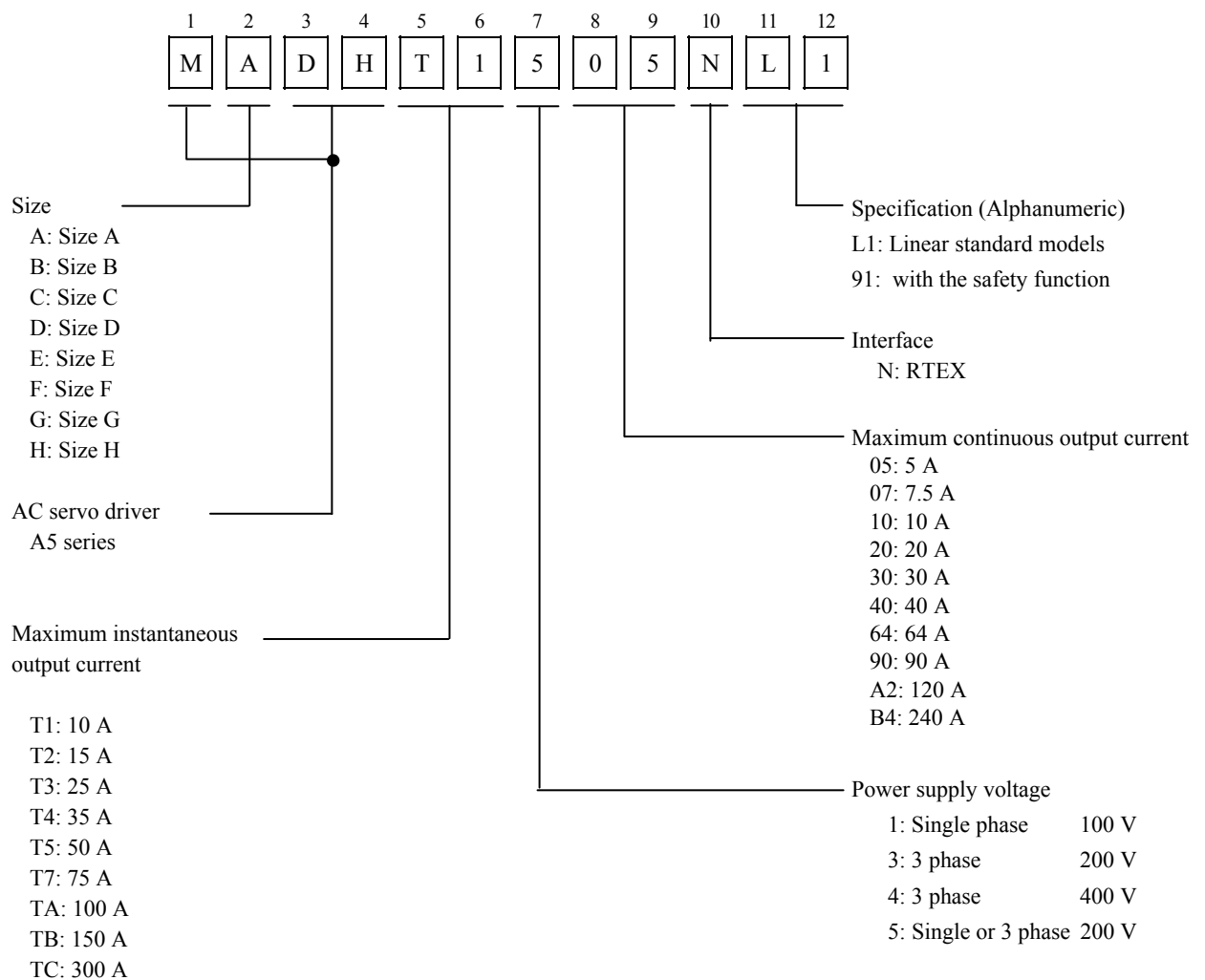
SX-DSV02310: Technical document - Realtime Express (RTEX) communication specification –

<IMPORTANT>

- All rights reserved. No part of this publication may be reproduced or transmitted in any form without prior permission.
- Motor Business Unit, Home Appliances Company, Panasonic Corp. reserves the right to make modifications and improvements to its products and/or documentation, including specifications and software, without prior notice.

2. Product number

The following shows how to interpret a product number.



3. Product Line-up

● MINAS-A5NL and A5N9 Series

Servo driver				Applicable motor (Note 2)		Applicable feedback scale (Note 2)	
Model No. (Note 1)		Frame mark	Power supply voltage	Default value) Of carrier frequency (Note 4)	Rated current [Ams]	Max. current [Ams]	Scale type
MINAS-A5NL Series (Linear standard models)	MINAS-A5N9 Series (With the safety function)						
MADHT1105NL1	MADHT1105N91	A	Single-phase AC100–120 V	12kHz	1.2	3.6	● Linear type - A/B phase, differential origin signal input - Serial communication type ● Rotary type - A/B phase, differential origin signal input - Serial communication type (Note 3)
MADHT1107NL1	MADHT1107N91				1.7	5.1	
MADHT1505NL1	MADHT1505N91		Single/3-phase AC 200–240 V		1.2	3.6	
MADHT1507NL1	MADHT1507N91				1.6	4.8	
MBDHT2110NL1	MBDHT2110N91	B	Single-phase AC100–120 V	6kHz	2.5	7.5	
MBDHT2510NL1	MBDHT2510N91		Single/3-phase AC 200–240 V		2.6	7.8	
MCDHT3120NL1	MCDHT3120N91	C	Single-phase AC100–120 V		4.6	13.8	
MCDHT3520NL1	MCDHT3520N91		Single/3-phase AC 200–240 V		4.1	12.3	
MDDHT3530NL1	MDDHT3530N91	D	Single/3-phase AC 200–240 V		5.9	16.9	
MDDHT5540NL1	MDDHT5540N91				9.4	28.2	
MDDHT2407NL1	MDDHT2407N91		3-phase AC 380–480 V		1.5	4.5	
MDDHT2412NL1	MDDHT2412N91				2.9	8.7	
MDDHT3420NL1	MDDHT3420N91	4.7			14.1		
MEDHT7364NL1	MEDHT7364N91	E	3-phase AC 200–230 V		13.4	40.2	
MEDHT4430NL1	MEDHT4430N91		3-phase AC 380–480 V		6.7	19.7	
MFDHTA390NL1	MFDHTA390N91	F	3-phase AC 200–230 V		18.7	56.1	
MFDHTB3A2NL1	MFDHTB3A2N91				33	84.8	
MFDHT5440NL1	MFDHT5440N91		3-phase AC 380–480 V		9.4	28.2	
MFDHTA464NL1	MFDHTA464N91				16.5	42.4	
MGDHTC3B4NL1	MGDHTC3B4N91	G	3-phase AC 200–230 V		44	116.6	
MGDHTB4A2NL1	MGDHTB4A2N91		3-phase AC 380–480 V		22	58.7	
MHDHTC3B4NL1	MHDHTC3B4N91	H	3-phase AC 200–230 V		12kHz	66.1	167.2
MHDHTB4A2NL1	MHDHTB4A2N91		3-phase AC 380–480 V			33.1	83.7

(Note 1) MINAS-A5N9 Series are the models which are added the safety function to MINAS-A5NL series.

(Note 2) For the applicable motor and feedback scale, also refer to the technical document SX-DSV02309.

(Note 3) For the serial communication type of the rotary type, contact us.

(Note 4) When you change the carrier frequency, confirm the temperature of the servo driver and the motor.

4. Specifications

4-1 Basic Specifications

Item			Description	
Input power supply	100 V	Main circuit power	Single phase 100–120 V ac $\begin{matrix} +10\% \\ -15\% \end{matrix}$ 50/60 Hz	
		Control circuit power	Single phase 100–120 V ac $\begin{matrix} +10\% \\ -15\% \end{matrix}$ 50/60 Hz	
	200 V	Main circuit power	A–D	Single/3 phase 200–240 V ac $\begin{matrix} +10\% \\ -15\% \end{matrix}$ 50/60 Hz
			E–H	3 phase 200–230 V ac $\begin{matrix} +10\% \\ -15\% \end{matrix}$ 50/60 Hz
		Control circuit power	A–D	Single phase 200–240 V ac $\begin{matrix} +10\% \\ -15\% \end{matrix}$ 50/60 Hz
			E–H	Single phase 200–230 V ac $\begin{matrix} +10\% \\ -15\% \end{matrix}$ 50/60 Hz
	400 V	Main circuit power	D-H	3 phase 380–480 V ac $\begin{matrix} +10\% \\ -15\% \end{matrix}$ 50/60 Hz
		Control circuit power		24 V dc +/- 15%
Insulation voltage			Resistant to 1,500 V AC between primary power supply and ground for a minute (Sensed current: 20 mA) * Excluding control circuit power supply part (24 V dc) of 400 V models.	
Operation conditions	Temperature		Operation temperature: 0–55 degrees C Storage temperature: -20–65 degrees C	
	Humidity		Operation and storage humidity 90%RH or less (no condensation)	
	Height above the sea		Height above the sea level: 1,000 meters or less	
	Vibration		5.88 m/s ² or less, 10–60 Hz (Continuous operation at resonance point is not allowed)	

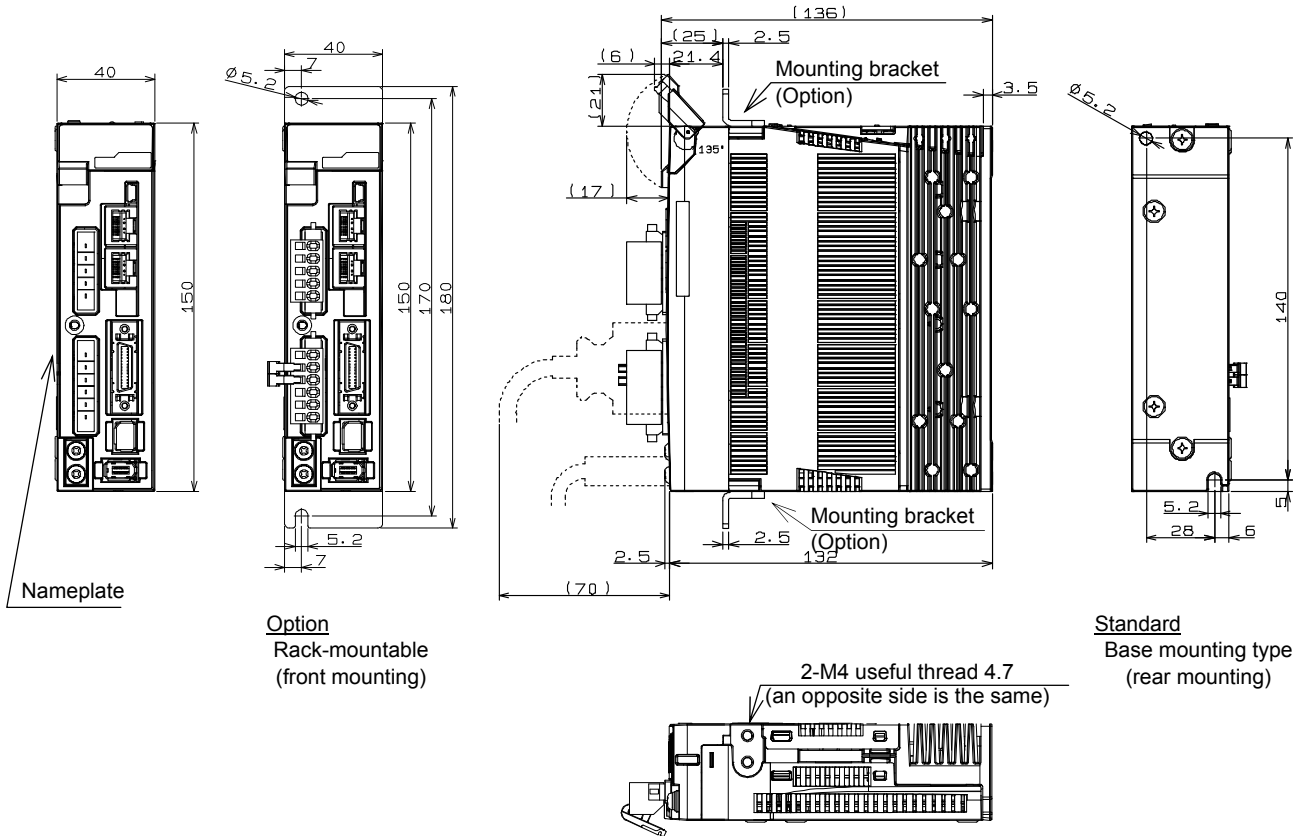
4-2 Compatible Standard (Under Contemplation)

Item		Description
EC Directive	EMC directive	EN55011 (CISPR11), EN61000-6-2, EN61800-3
	Low voltage directive	EN61800-5-1
UL		UL508C
CSA		CSA22.2 No.14
KC		KN11 , KN61000-4-2,34,5,6,8,11

5. Dimensions

- MINAS-A5NL and A5N9 Series

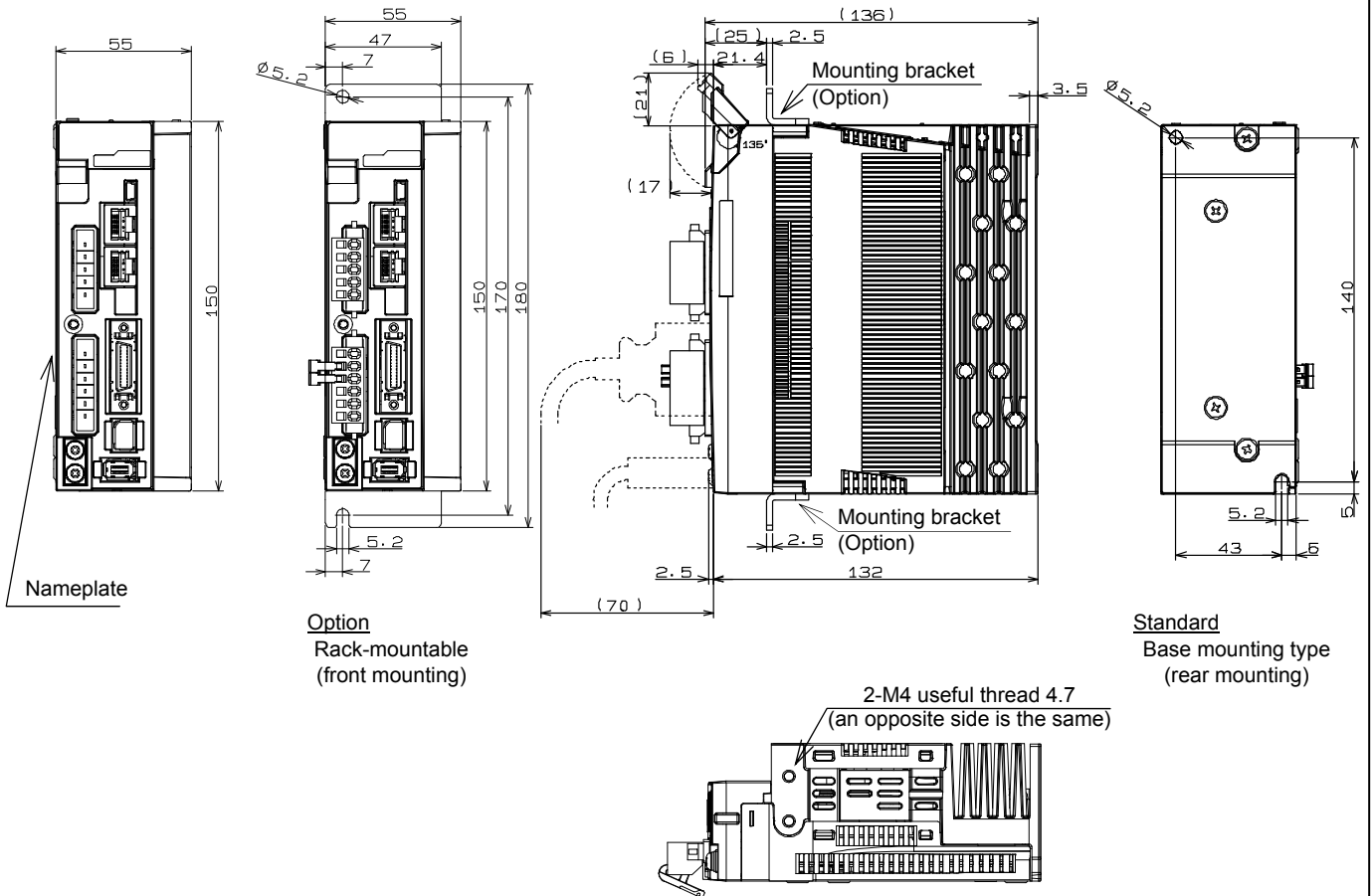
Size A 100 V/200 V



[Front mounting bracket Optional part number]

	Part number
For frame A	DV0PM20027

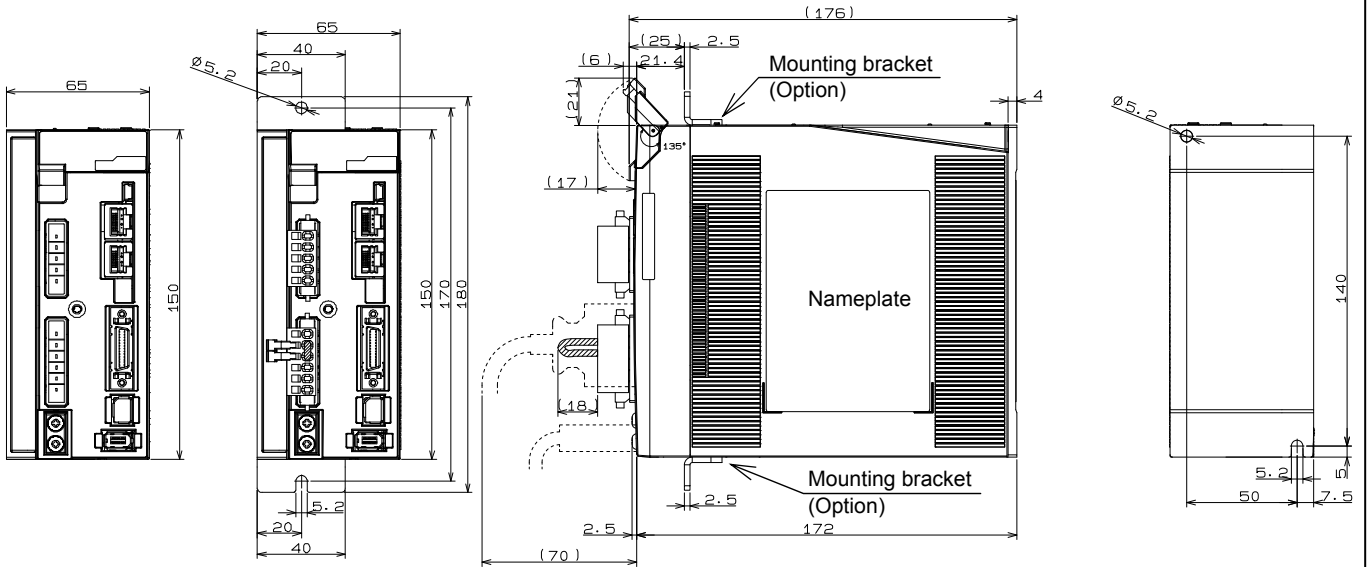
Size B 100 V/200 V



[Front mounting bracket Optional part number]

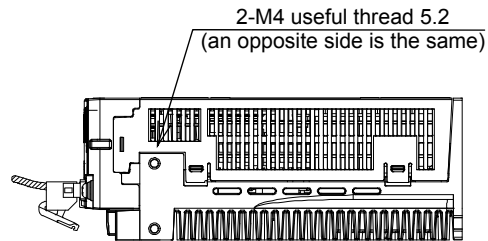
	Part number
For frame B	DV0PM20028

Size C 100 V/200 V



Option
Rack-mountable
(front mounting)

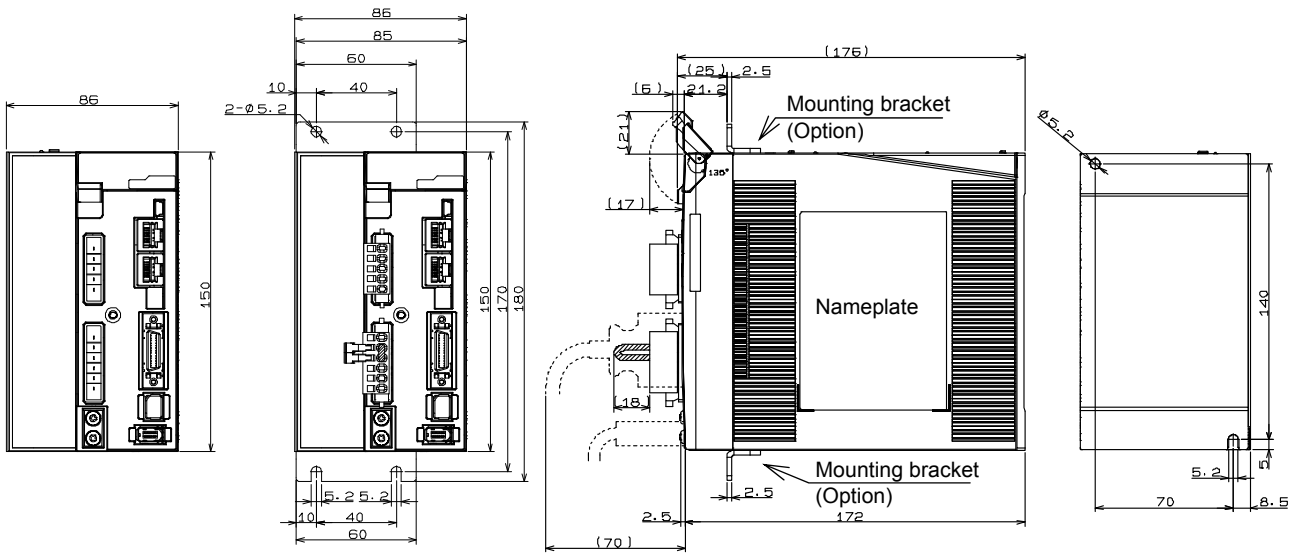
Standard
Base mounting type
(rear mounting)



[Front mounting bracket Optional part number]

	Part number
For frame C	DV0PM20029

Size D 200 V

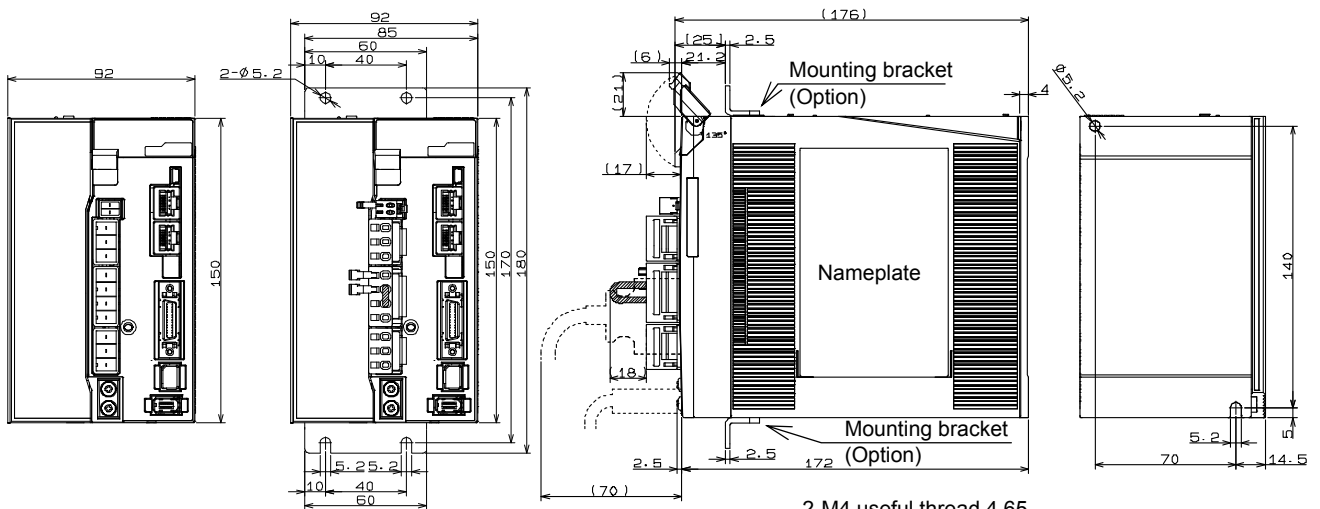


Option
Rack-mountable
(front mounting)

2-M4 useful thread 4.65
(an opposite side is the same)

Standard
Base mounting type
(rear mounting)

Size D 400 V



Option
Rack-mountable
(front mounting)

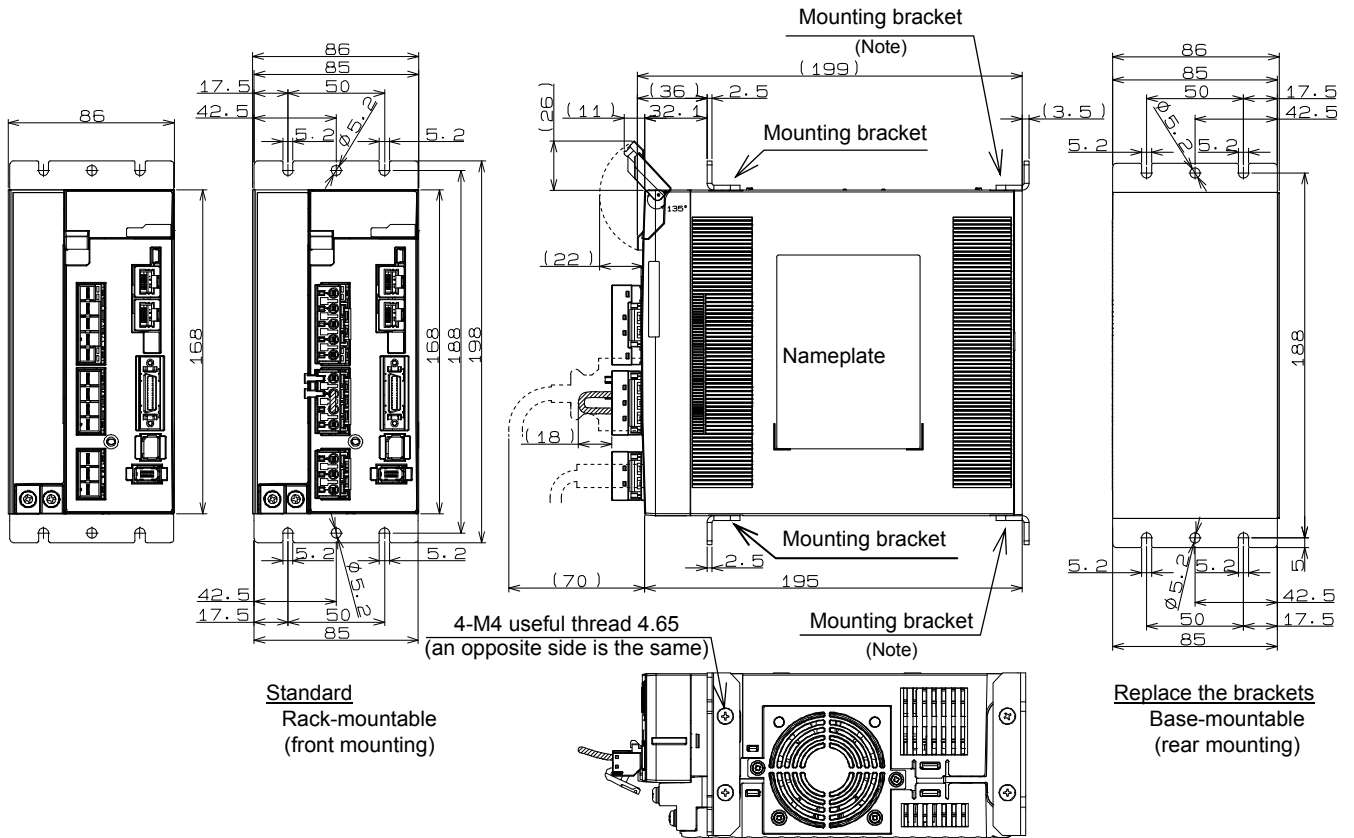
2-M4 useful thread 4.65
(an opposite side is the same)

Standard
Base mounting type
(rear mounting)

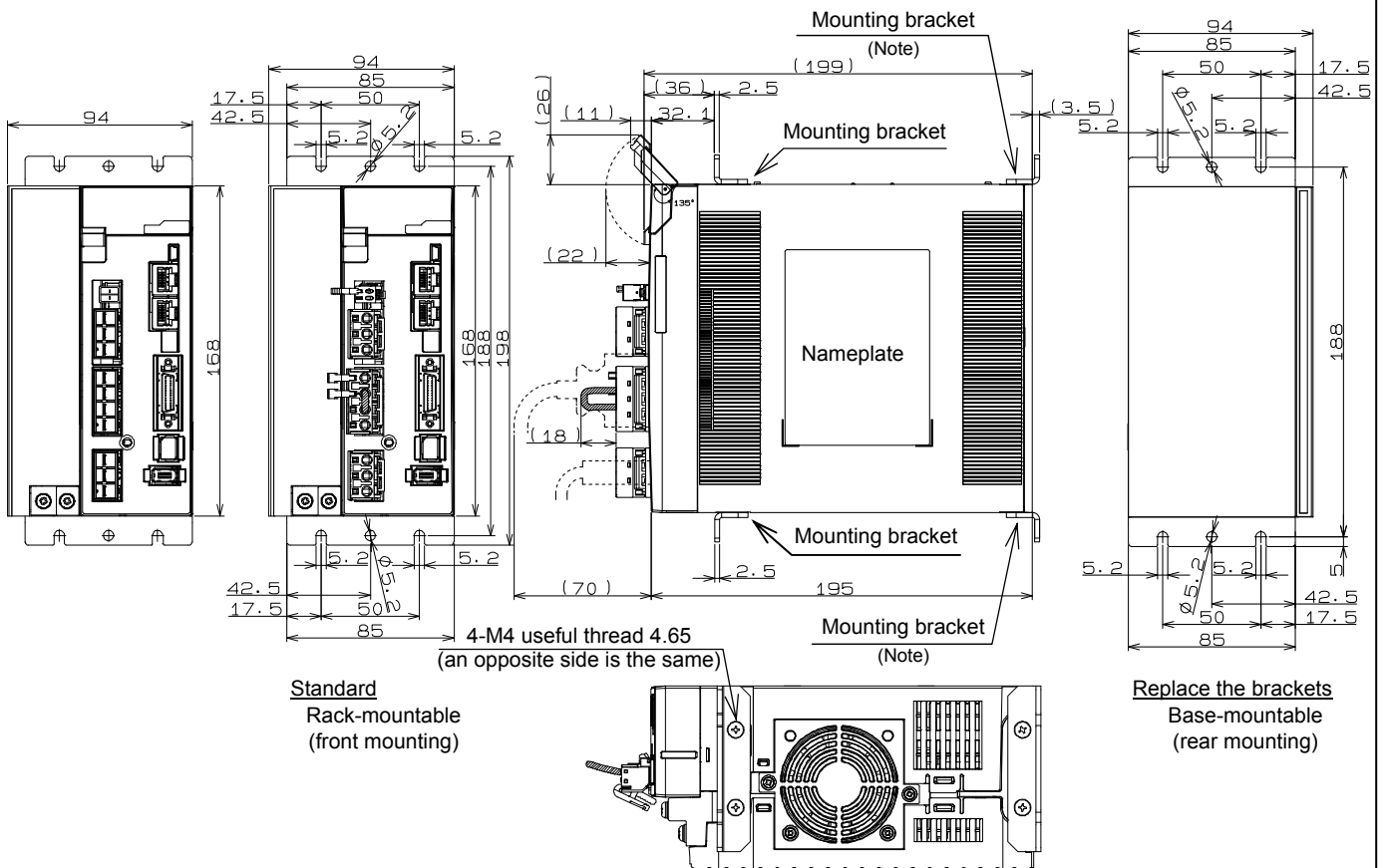
[Front mounting bracket Optional part number]

	Part number
For frame D	DV0PM20030

Size E 200 V

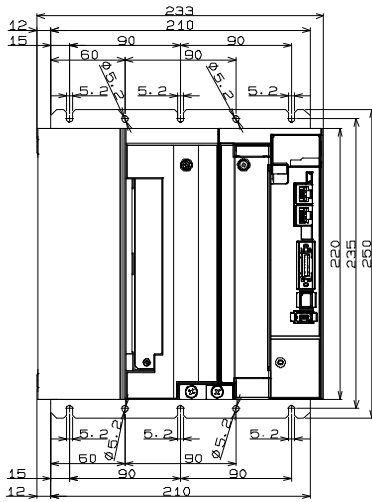
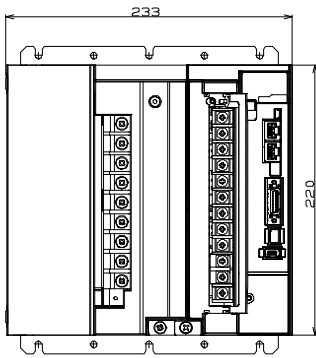


Size E 400 V

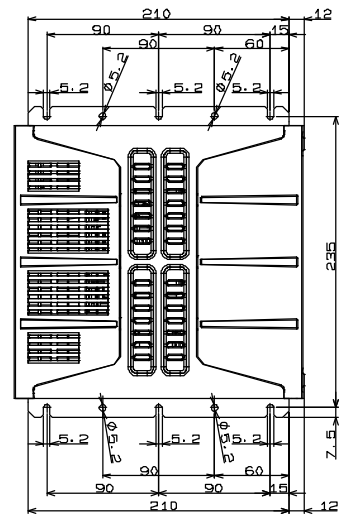
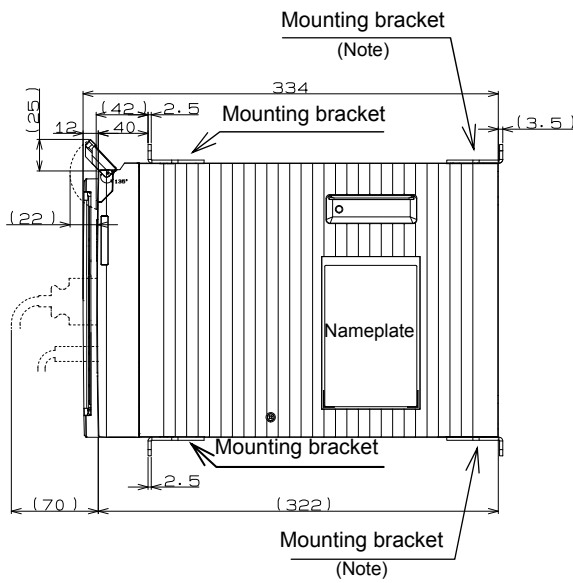


Note: For base mounting type (rear mounting type), attach the mounting bracket to the rear surface. Although the above figure shows brackets attached to both the front and rear surfaces, the unit is shipped out with the bracket attached to only the front.

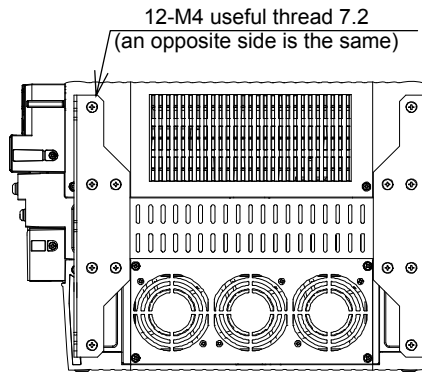
Size G 200 V/400 V



Standard
 Rack-mountable
 (front mounting)

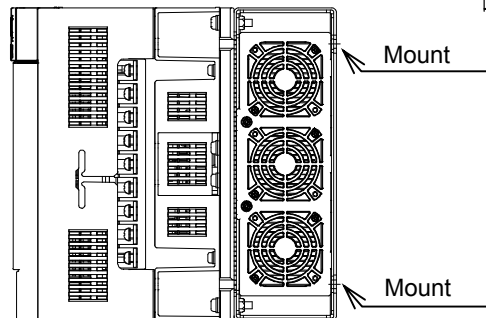
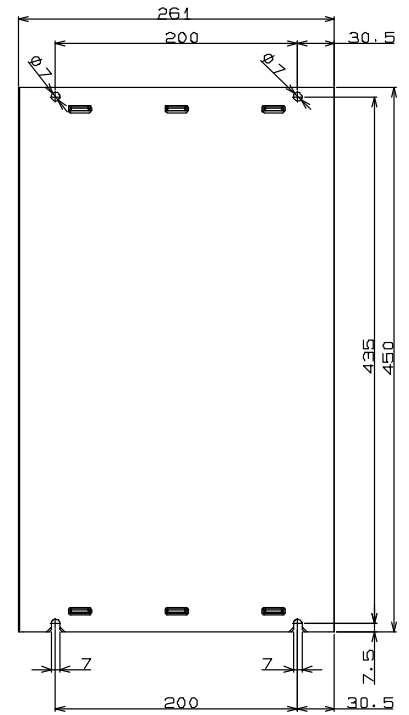
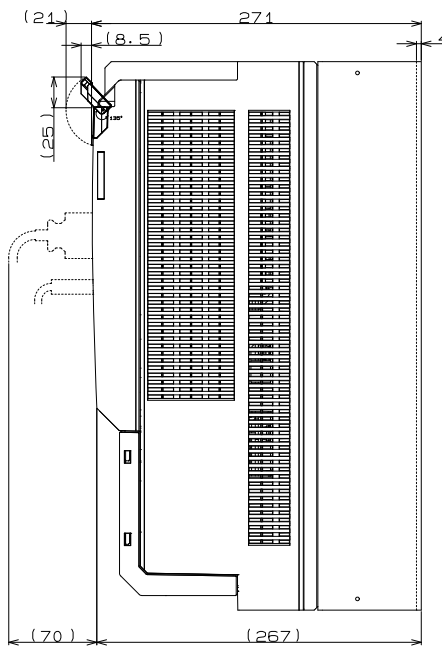
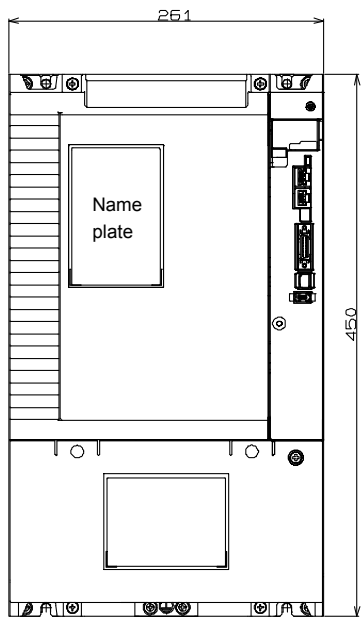
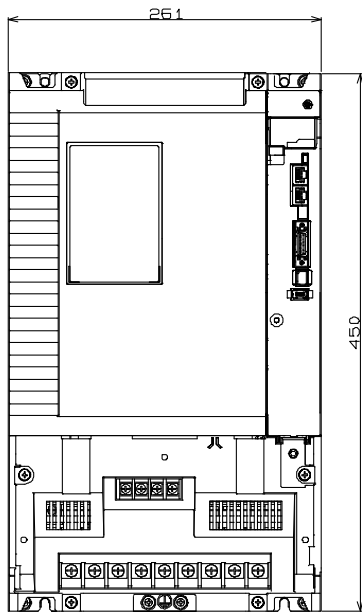


Replace the brackets
 Base-mountable
 (rear mounting)



Note: For base mounting type (rear mounting type), attach the mounting bracket to the rear surface. Although the above figure shows brackets attached to both the front and rear surfaces, the unit is shipped out with the bracket attached to only the front.

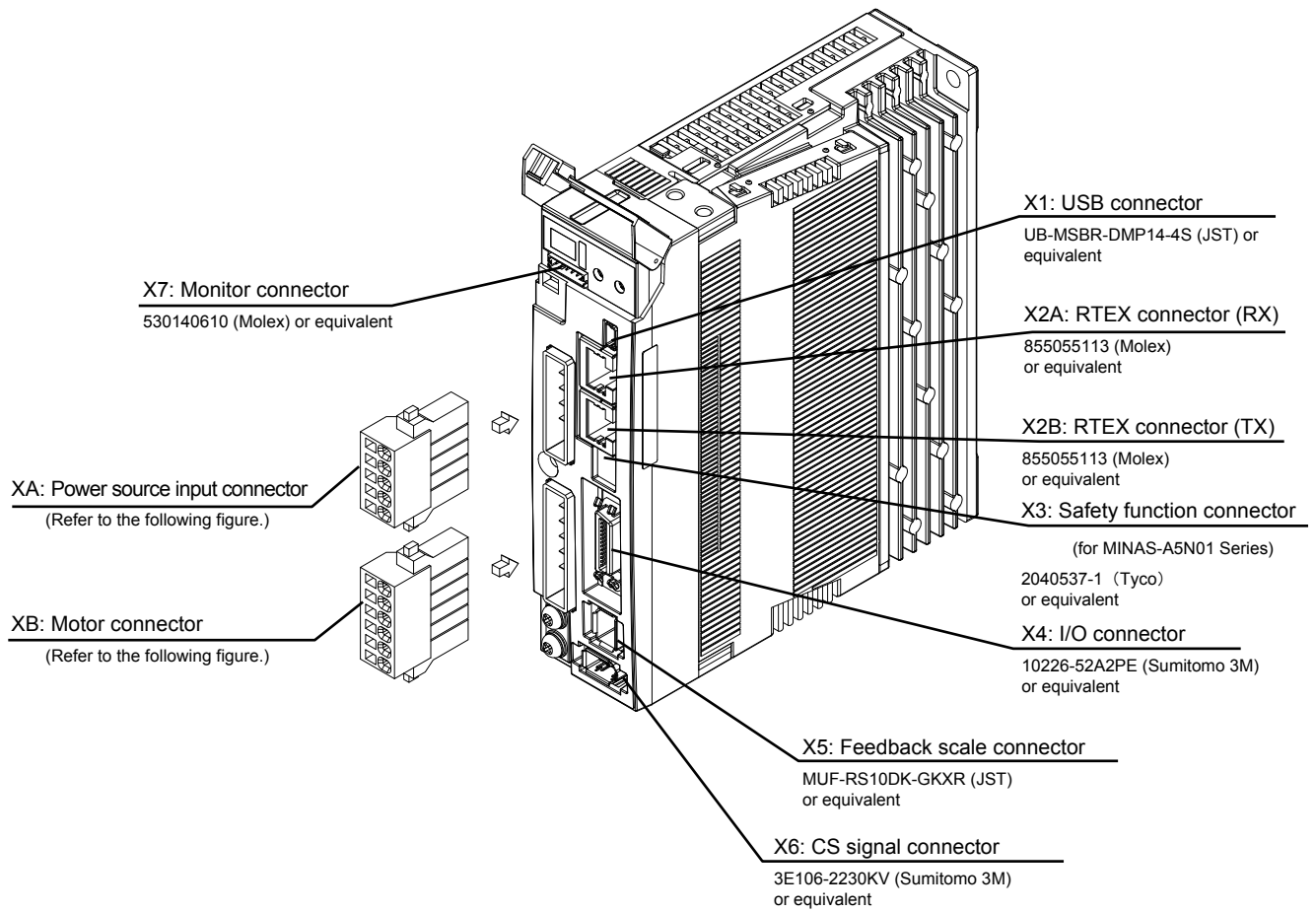
Size H 200 V/400 V



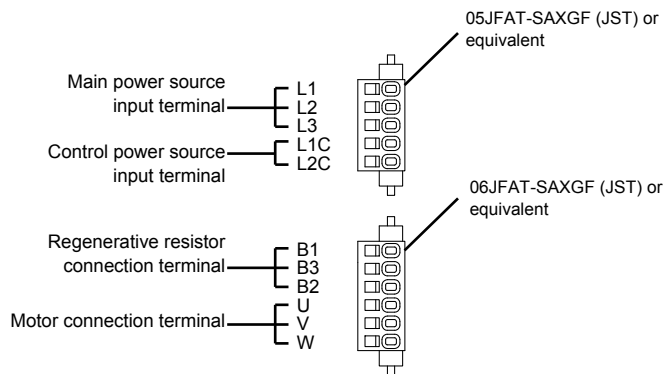
Base mounting type
(rear mounting)

6. Appearance and Part Names

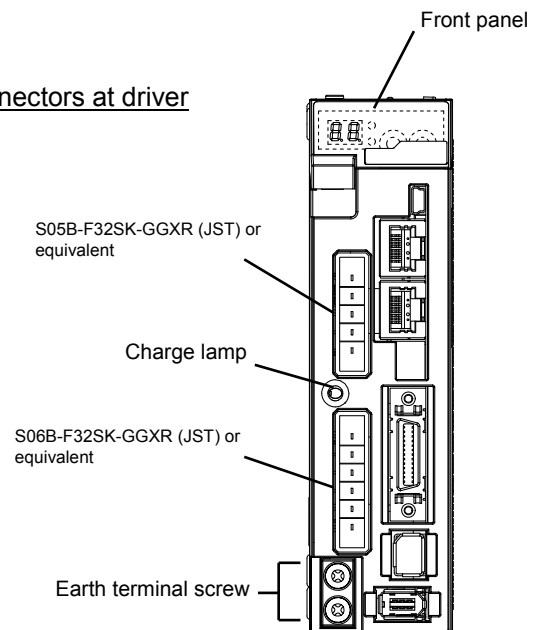
Size A, B 100 V/200 V



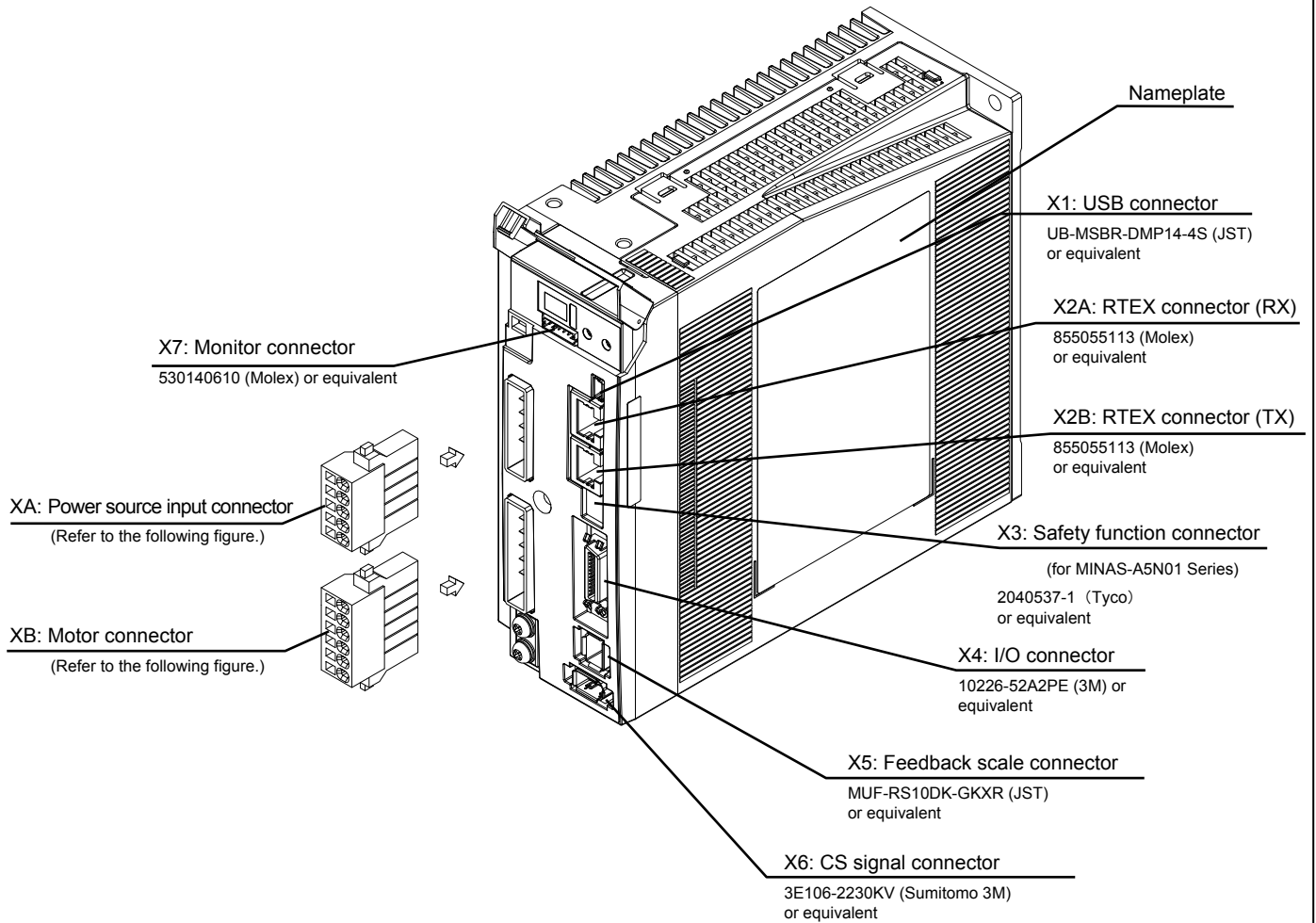
Cable side connectors



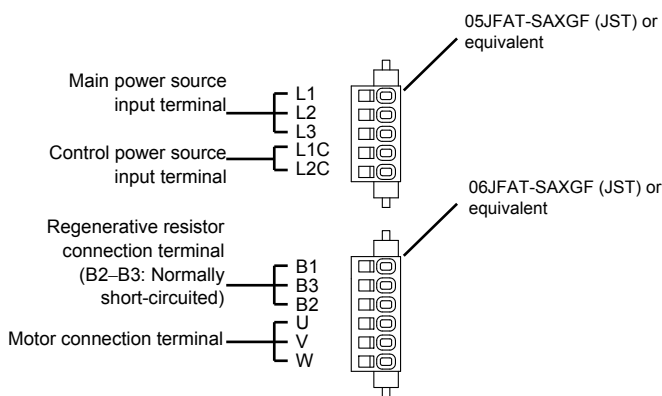
Connectors at driver



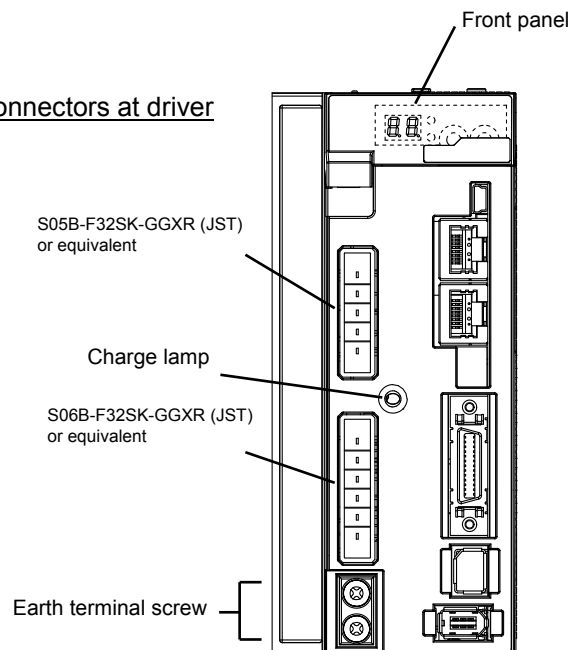
Size C, D 100 V/200 V



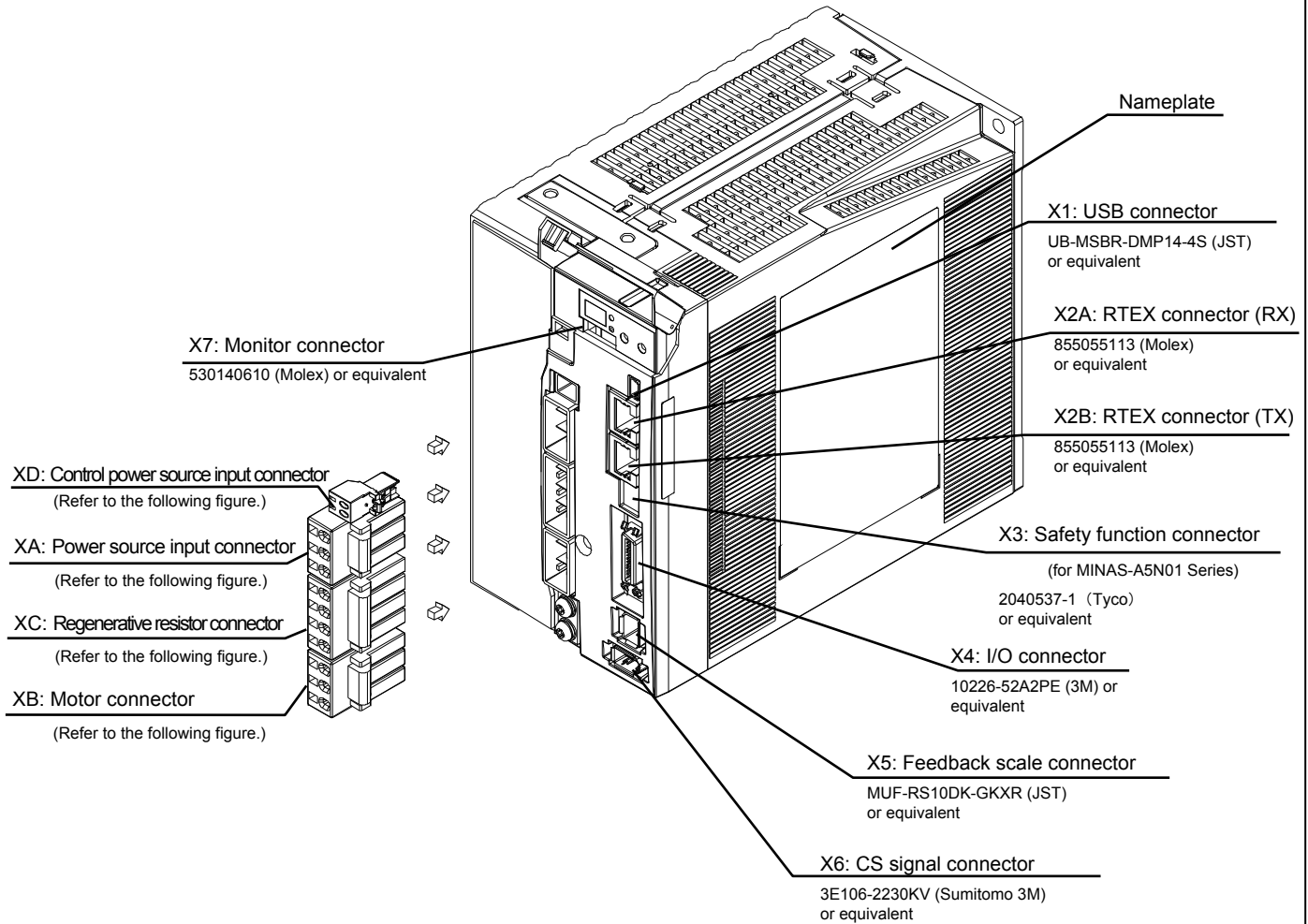
Cable side connectors



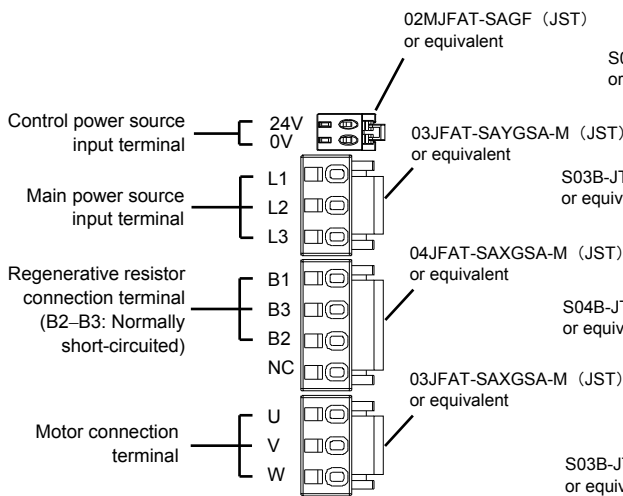
Connectors at driver



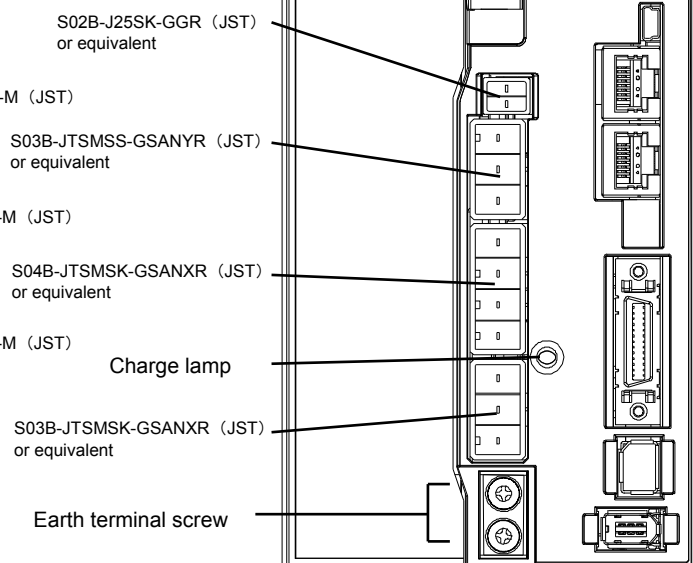
Size D 400 V



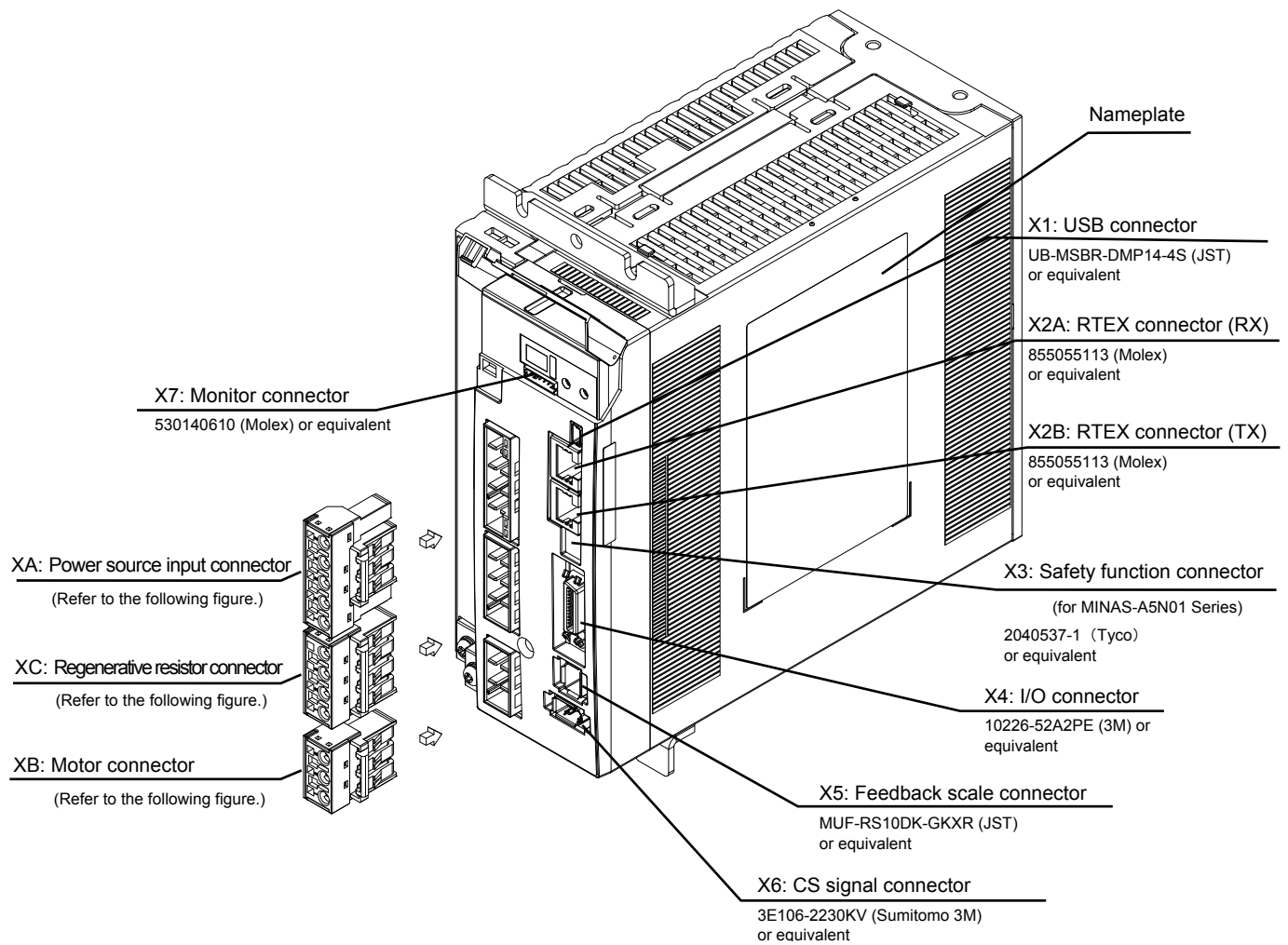
Cable side connectors



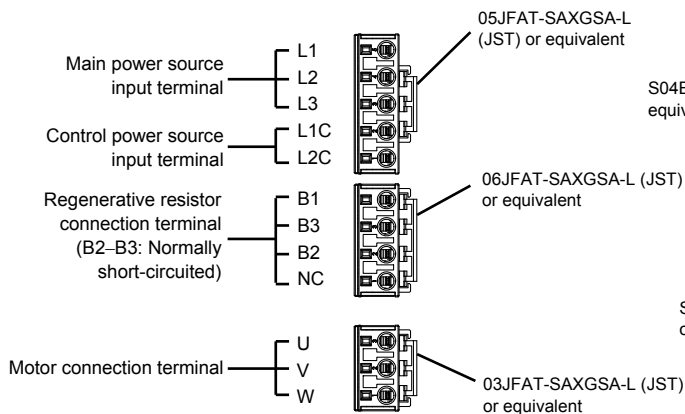
Connectors at driver



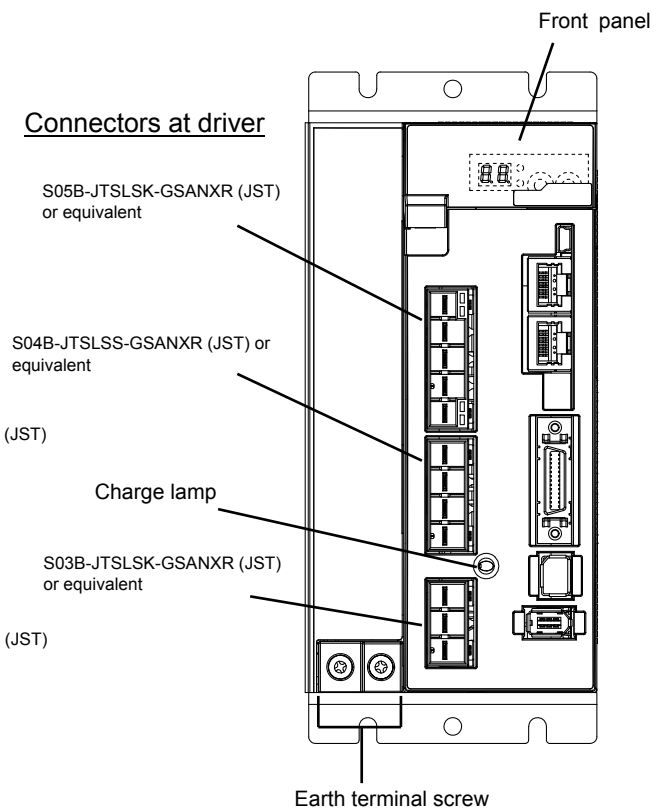
Size E 200 V



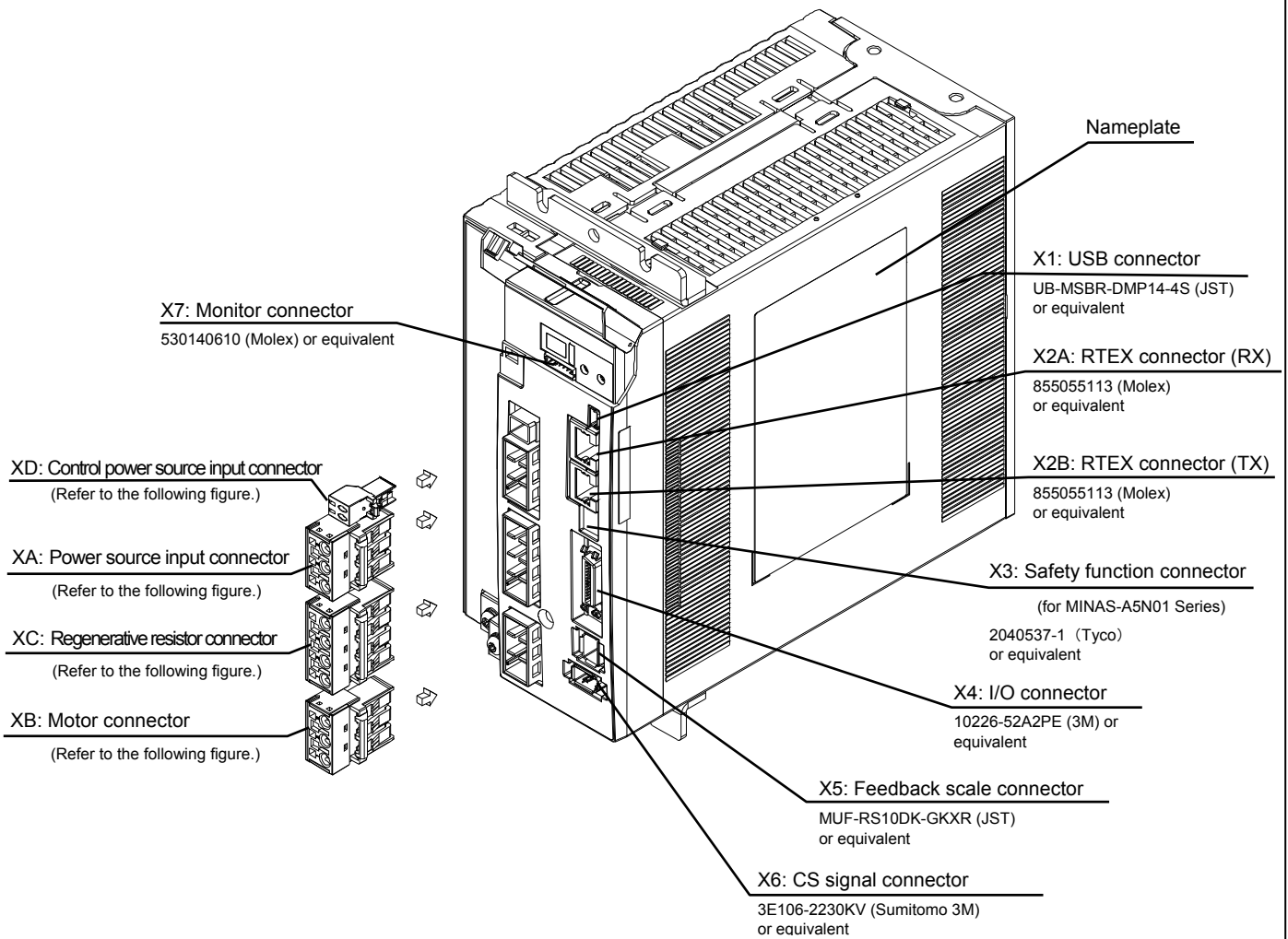
Cable side connectors



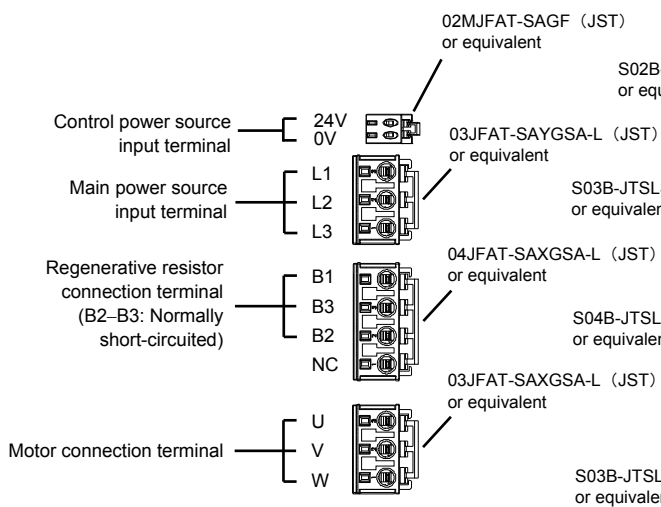
Connectors at driver



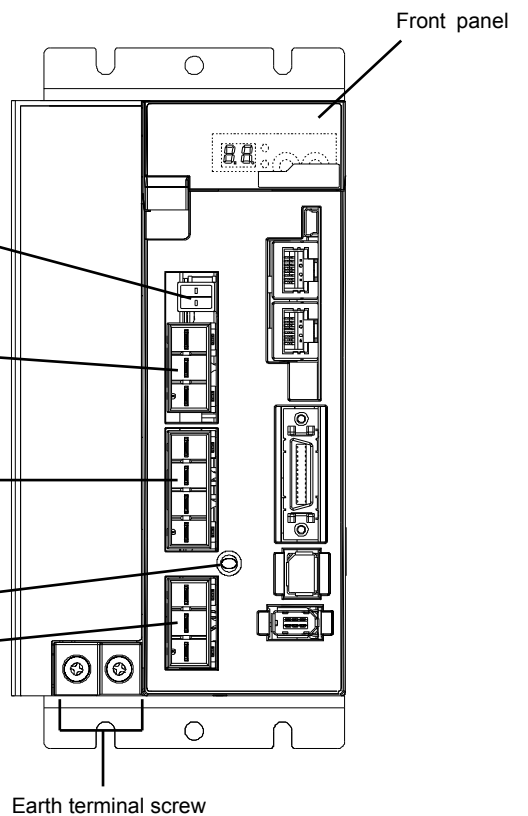
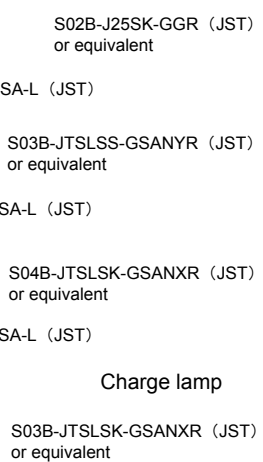
Size E 400 V



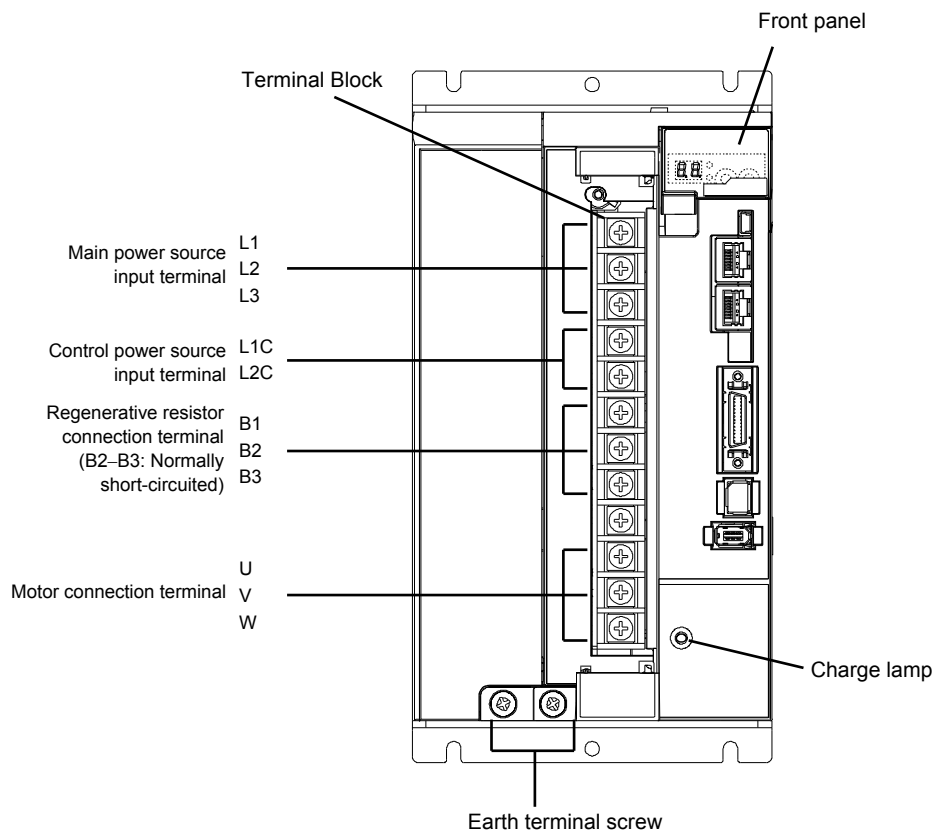
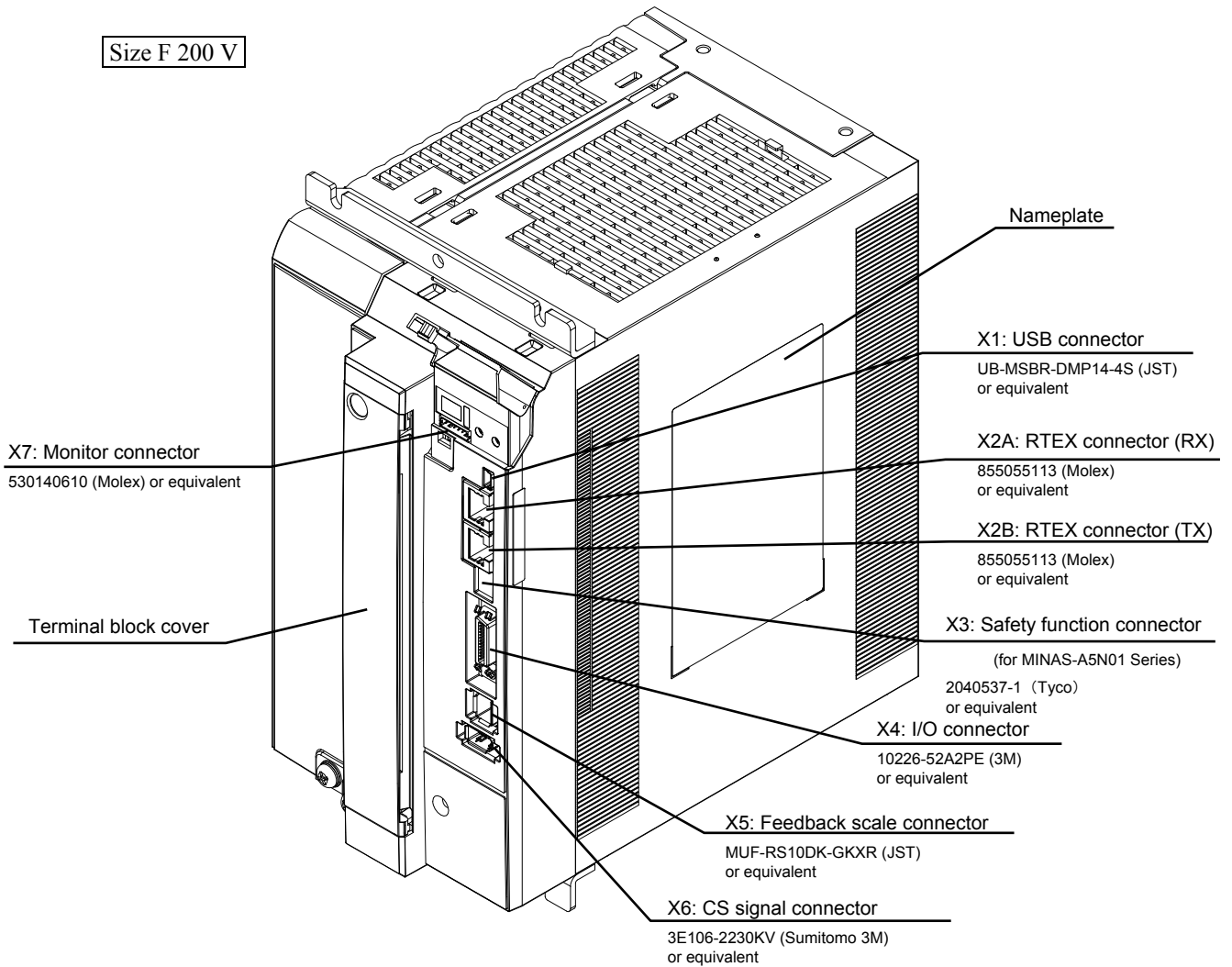
Cable side connectors



Connectors at driver

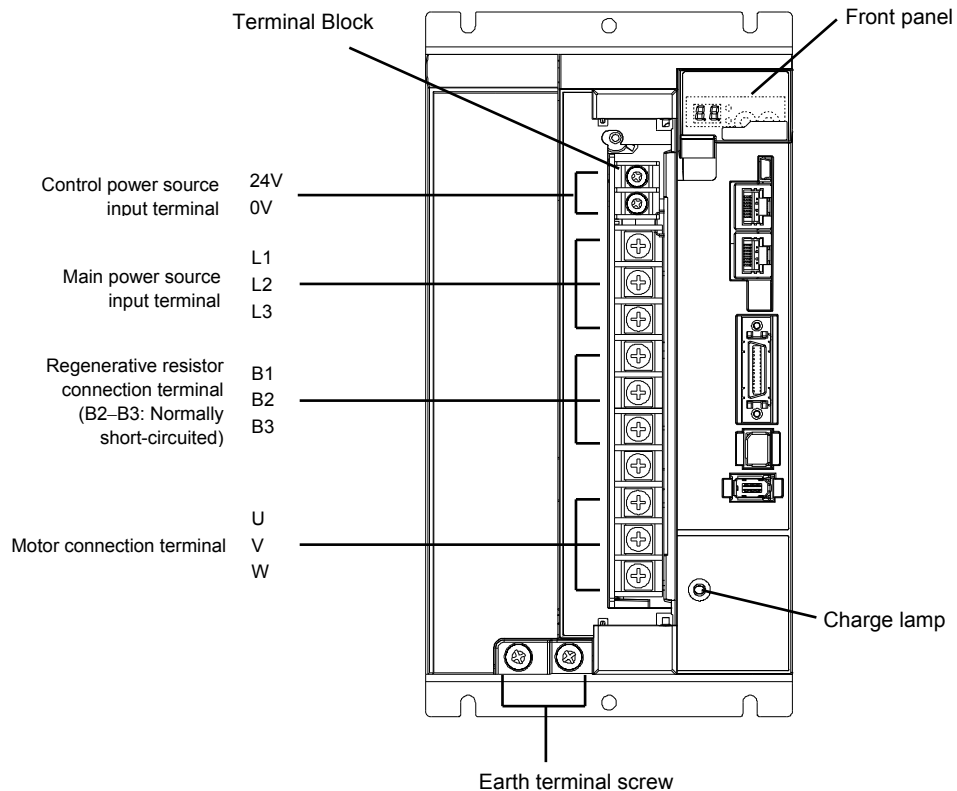
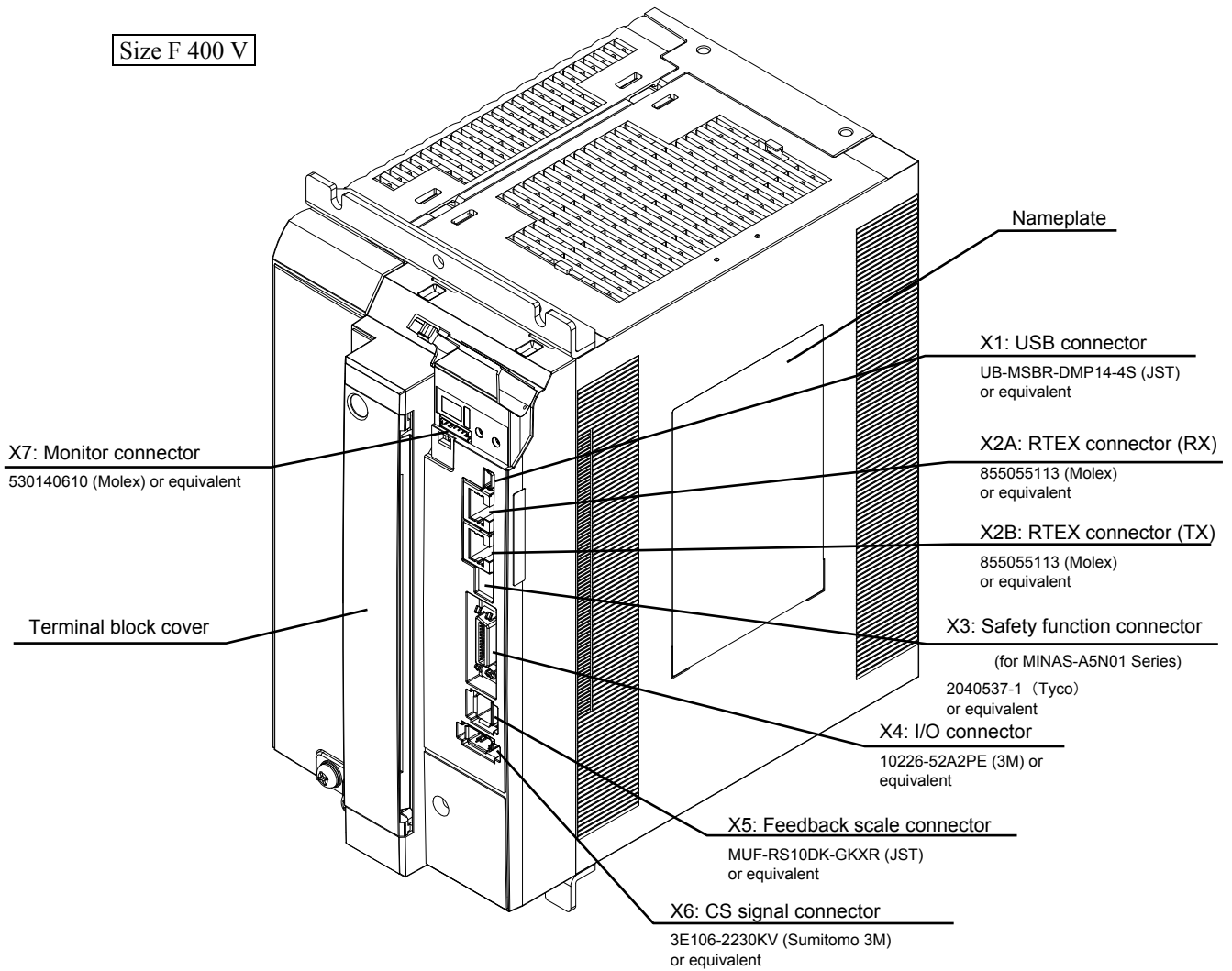


Size F 200 V



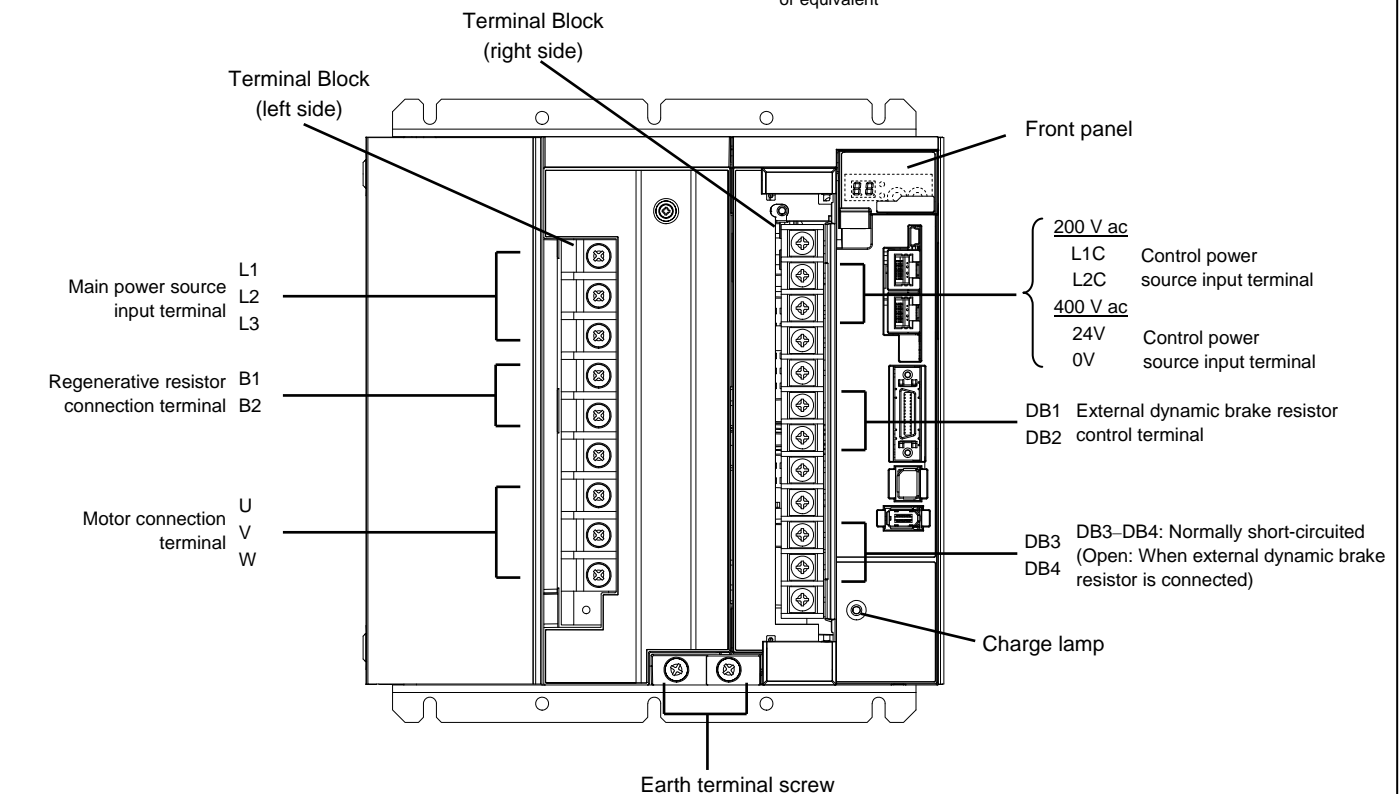
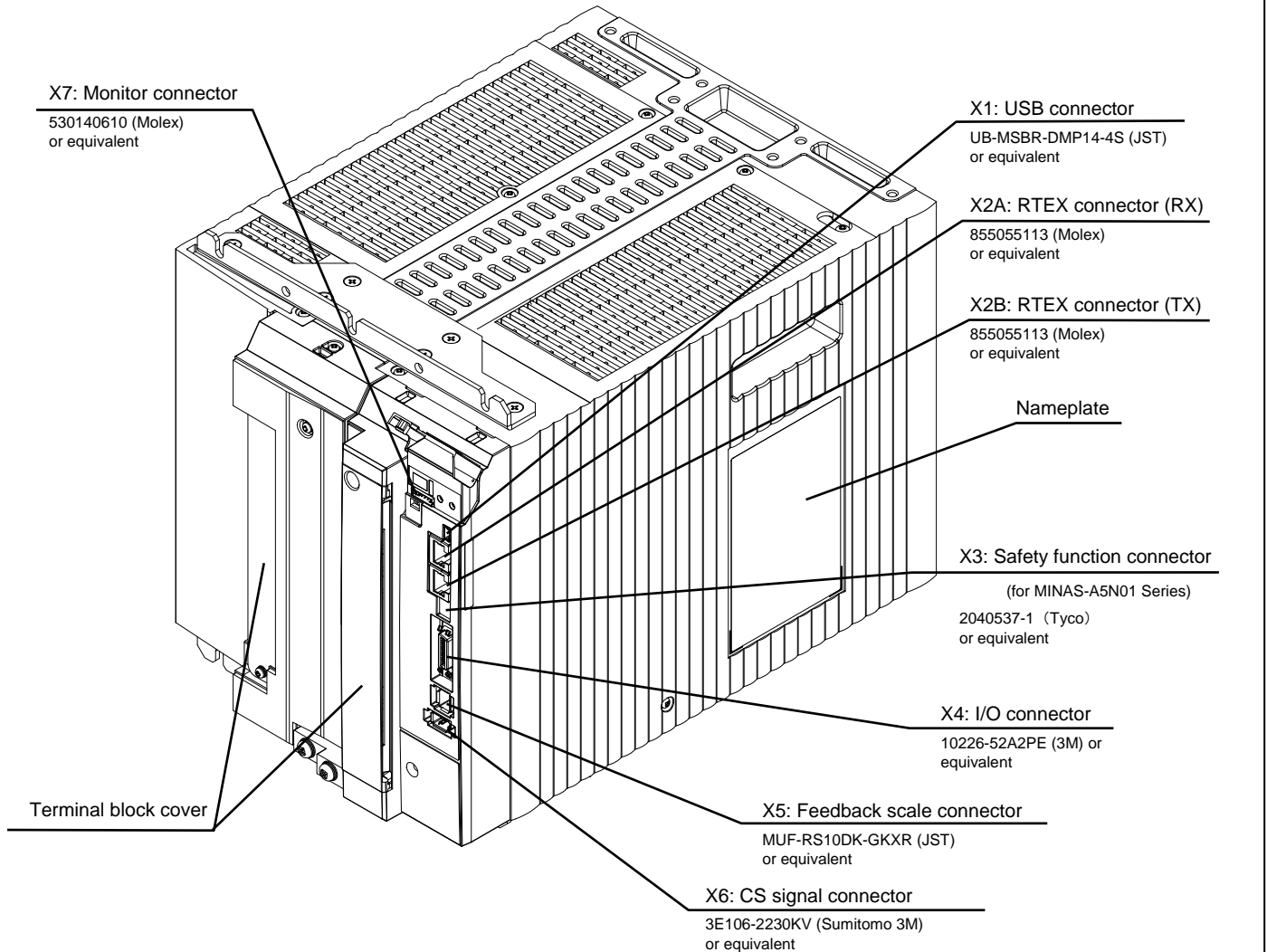
Note: Terminal block with the cover removed

Size F 400 V



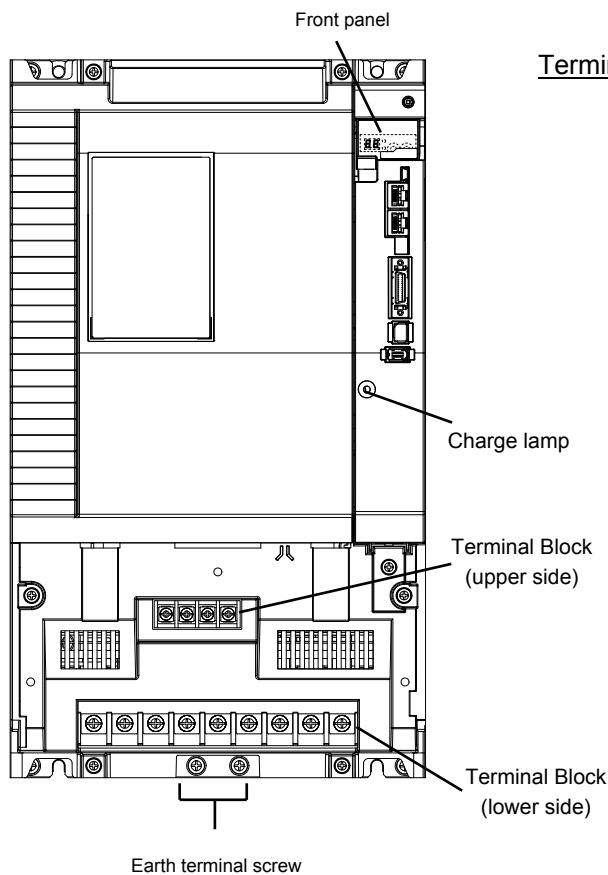
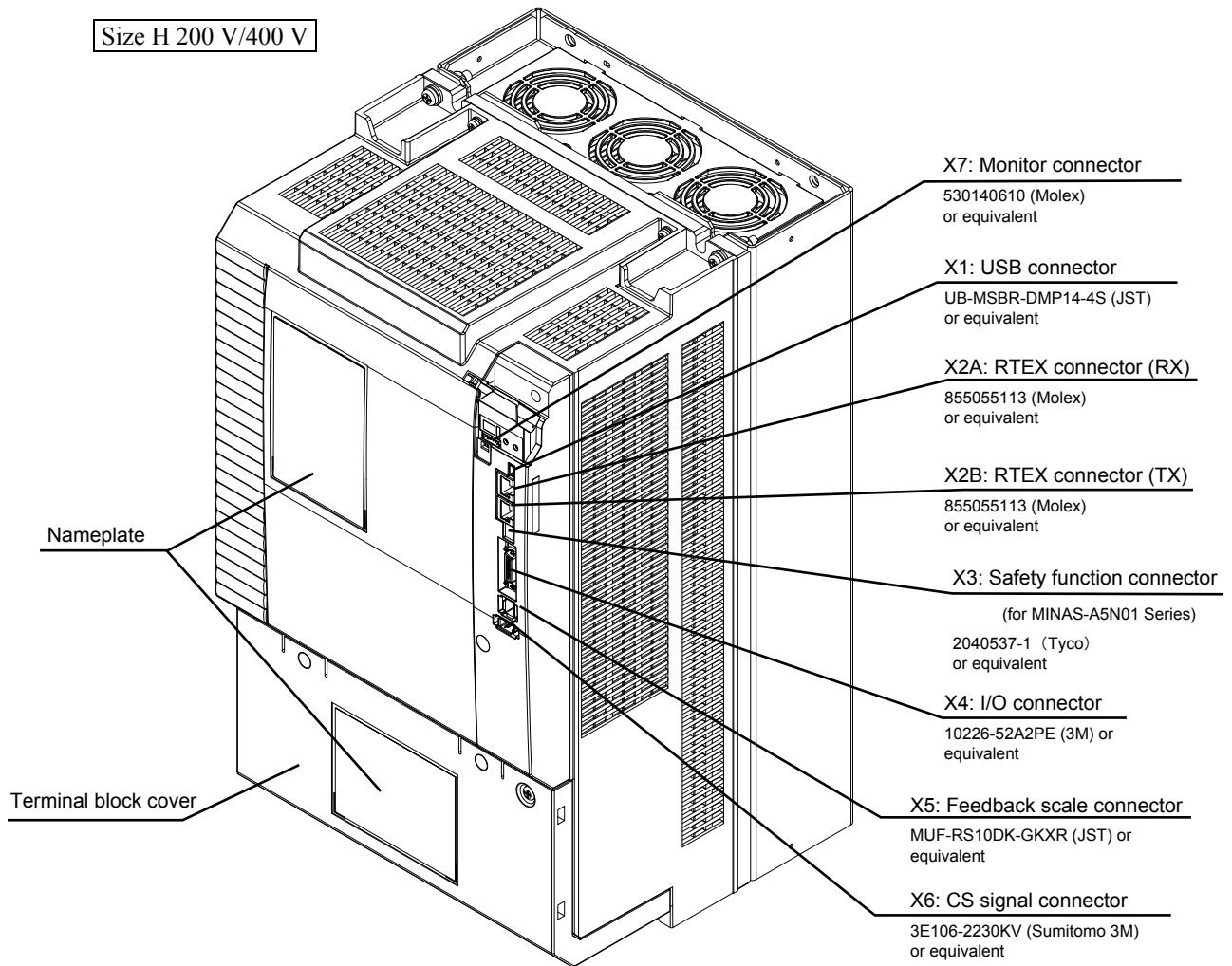
Note: Terminal block with the cover removed

Size G 200 V/400 V

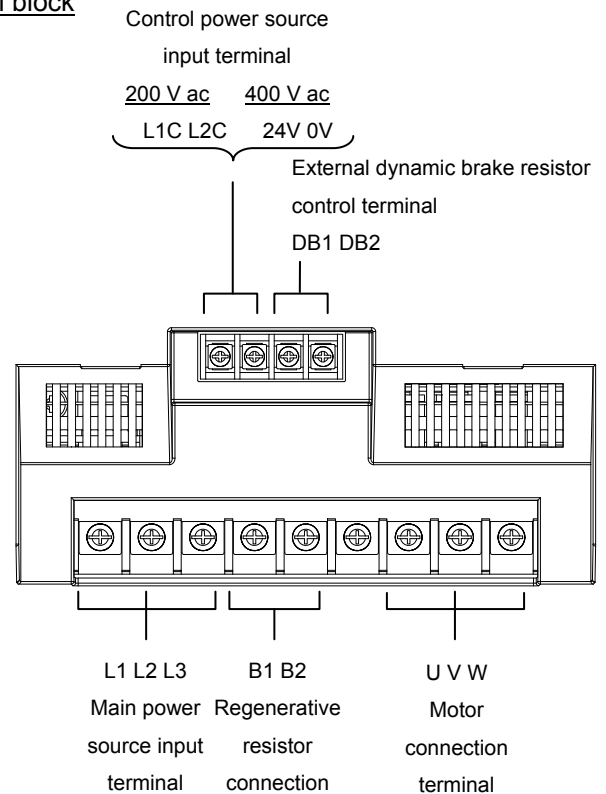


Note: Terminal block with the cover removed

Size H 200 V/400 V



Terminal block




Note: Terminal block with the cover removed

7. Configuration of Connectors and Terminal Blocks


7-1 Power Connector **XA**, **XB**, **XC**, **XD** and Terminal Block

[1] Sizes A, B, C, D of 100 V and 200 V System

Name	Terminal symbol	Connector pin no.	Description		
XA	Main power supply input	L1	5	100 V	Single phase 100–120 V $+10\%$ -15% 50/60 Hz input Use L1 and L3 terminal.
		L2	4	200 V	Single or 3 phase 200–240 V $+10\%$ -15% 50/60 Hz input Use L1 and L3 terminal for single phase input
		L3	3		
	Control power supply input	L1C	2	100 V	Single phase 100–120 V $+10\%$ -15% 50/60 Hz input
		L2C	1	200 V	Single phase 200–240 V $+10\%$ -15% 50/60 Hz input
XB	Regen resistor connection	B1	6	<ul style="list-style-type: none"> Normally, open the circuit between B2 and B3. (Sizes A, B) Normally, short out the circuit between B2 and B3. (Sizes C, D) When a trip happens due to a regenerative load protection error, connect an external regenerative resistor (prepared by customer) between B1 and B2. 	
		B3	5		
		B2	4		
	Motor connection	U	3		Connect each phase of the motor winding. U: U phase V: V phase W: W phase
		V	2		
		W	1		
Earth		–	There are 2 grounding terminals. Connect the one terminal to ground, and the other to the E terminal of a motor. Do not connect more than one wire to a grounding terminal.		


- Refer to section 9-3 for the tightening torque of the screw.

[2] Size E of 200 V System

Name	Terminal symbol	Connector pin no.	Description		
XA	Main power supply input	L1	5	200 V	3 phase 200–230 V $+10\%$ -15% 50/60 Hz input
		L2	4		
		L3	3		
	Control power supply input	L1C	2	200 V	Single phase 200–230 V $+10\%$ -15% 50/60 Hz input
		L2C	1		
XC	Regen resistor connection	B1	4	Normally, short out the circuit between B2 and B3. When a trip happens due to a regenerative load protection error, connect an external regenerative resistor (prepared by customer) between B1 and B2. Note: Keep NC terminal unconnected.	
		B3	3		
		B2	2		
		NC	1		
XB	Motor connection	U	3	Connect each phase of the motor winding. U: U phase V: V phase W: W phase	
		V	2		
		W	1		
Earth		–	There are 2 grounding terminals. Connect the one terminal to ground, and the other to the E terminal of a motor. Do not connect more than one wire to a grounding terminal.		


- Refer to section 9-3 for the tightening torque of the screw.

[3] Size D and E of 400 V System

	Name	Terminal symbol	Connector pin no.	Description
XA	Main power supply input	L1	3	3 phase 380–480 V + 10% 50/60 Hz input - 15%
		L2	2	
		L3	1	
XD	Control power supply input	24V	2	24 V dc +/- 15%
		0V	1	
XC	Regen resistor connection	B1	4	Normally, short out the circuit between B2 and B3. When a trip happens due to a regenerative load protection error, connect an external regenerative resistor (prepared by customer) between B1 and B2. Note: Keep NC terminal unconnected.
		B3	3	
		B2	2	
		NC	1	
XB	Motor connection	U	3	Connect each phase of the motor winding. U: U phase V: V phase W: W phase
		V	2	
		W	1	
	Earth		–	There are 2 grounding terminals. Connect the one terminal to ground, and the other to the E terminal of a motor. Do not connect more than one wire to a grounding terminal.


- Refer to section 9-3 for the tightening torque of the screw.

[4] Size F of 200 V System

	Name	Terminal symbol	Terminal no. (upper to bottom)	Description
Terminal block	Main power supply input	L1	1	3 phase 200–230 V + 10% 50/60 Hz input - 15%
		L2	2	
		L3	3	
Terminal block	Control power supply input	L1C	4	Single phase 200–230 V + 10% 50/60 Hz input - 15%
		L2C	5	
Terminal block	Regen resistor connection	B1	6	Normally, short out the circuit between B2 and B3. When a trip happens due to a regenerative load protection error, open the circuit between B2 and B3 and connect an external regenerative resistor (prepared by customer) between B1 and B2. Note: Keep NC terminal unconnected.
		B3	7	
		B2	8	
		NC	9	
Terminal block	Motor connection	U	10	Connect each phase of the motor winding. U: U phase V: V phase W: W phase
		V	11	
		W	12	
	Earth		–	There are 2 grounding terminals. Connect the one terminal to ground, and the other to the E terminal of a motor. Do not connect more than one wire to a grounding terminal.


- Refer to section 9-3 for the tightening torque of the screw.
- Tighten the fixing screw of the terminal block cover with a torque 0.2 N•m or lower.

[5] Size F of 400 V System

	Name	Terminal symbol		Terminal no. (upper to bottom)	Description
Terminal block	Control power supply input	24V		1	24 V dc +/- 15%
		0V		2	
Terminal block	Main power supply input	L1		1	3 phase 380–480 V $\begin{matrix} + 10\% \\ - 15\% \end{matrix}$ 50/60 Hz input
		L2		2	
		L3		3	
	Regen resistor connection	B1		4	Normally, short out the circuit between B2 and B3. When a trip happens due to a regenerative load protection error, open the circuit between B2 and B3 and connect an external regenerative resistor (prepared by customer) between B1 and B2. Note: Keep NC terminal unconnected.
		B3		5	
		B2		6	
		NC		7	
	Motor connection	U		8	Connect each phase of the motor winding. U: U phase V: V phase W: W phase
		V		9	
		W		10	
Earth			—	There are 2 grounding terminals. Connect the one terminal to ground, and the other to the E terminal of a motor. Do not connect more than one wire to a grounding terminal.	


- Refer to section 9-3 for the tightening torque of the screw.
- Tighten the fixing screw of the terminal block cover with a torque 0.2 N•m or lower.

[6] Size G of 200 V and 400 V System

	Name	Terminal symbol		Terminal no. (upper to bottom)	Description
		200 V	400 V		
Terminal block (left side)	Main power supply input	L1	L1	1	200 V : 3 phase 200–230 V $\begin{matrix} + 10\% \\ - 15\% \end{matrix}$ 50/60 Hz input
		L2	L2	2	
		L3	L3	3	
	Regen resistor connection	B1	B1	4	• When tripped by a regenerative load protect error, connect an external regenerative resistor (the value set by parameter Pr0.16 and prepared by the user) across B1 and B2. Note: Keep NC terminal unconnected.
		B2	B2	5	
		NC	NC	6	
	Motor connection	U	U	7	• Connect each phase of the motor winding. U: U phase V: V phase W: W phase
		V	V	8	
		W	W	9	
Terminal block (right side)		NC	NC	1	• Leave this terminal unconnected.
	Control power supply input	L1C	24V	2	200 V : Single phase 200–230 V $\begin{matrix} + 10\% \\ - 15\% \end{matrix}$ 50/60 Hz input
		L2C	0V	3	
		NC	NC	4	• Leave this terminal unconnected.
		NC	NC	5	
	Dynamic brake resistor control terminal	DB1	DB1	6	• Connect when it is necessary to control the MC for external dynamic brake resistor (prepared by the user). • Impress the voltage AC300V or less or DC100V or less between DB1 and DB2.
		DB2	DB2	7	
		NC	NC	8	• Leave this terminal unconnected.
		NC	NC	9	
	Dynamic brake resistor control terminal	DB3	DB3	10	• Be short-circuited usually between DB3 and DB4. Remove the short bar when you use the external dynamic brake resistor.
		DB4	DB4	11	
	NC	NC	12		
Earth			—	There are 2 grounding terminals. Connect the one terminal to ground, and the other to the E terminal of a motor. Do not connect more than one wire to a grounding terminal.	

- Refer to section 9-3 for the tightening torque of the screw.
- Tighten M3 terminal block cover fixing screw with the 0.2 N•m torque.

[7] Size H of 200 V and 400 V System

	Name	Terminal symbol		Terminal no. (left to right)	Description
		200 V	400 V		
Terminal block (upper side)	Control power supply input	L1C	24V	1	200 V : Single phase 200–230 V + 10% - 15% 50/60 Hz input
		L2C	0V	2	400 V : 24 V dc +/- 15%
	Dynamic brake resistor control terminal	DB1	DB1	3	<ul style="list-style-type: none"> • Connect when it is necessary to control the MC for external dynamic brake resistor (prepared by the user). • Impress the voltage AC300V or less or DC100V or less between DB1 and DB2.
		DB2	DB2	4	
Terminal block (lower side)	Main power supply input	L1	L1	1	200 V : 3 phase 200–230 V + 10% - 15% 50/60 Hz input
		L2	L2	2	
		L3	L3	3	
	Regen resistor connection	B1	B1	4	<ul style="list-style-type: none"> • When tripped by a regenerative load protect error, connect an external regenerative resistor (the value set by parameter Pr0.16 and prepared by the user) across B1 and B2. Note) Do not connect any wire to the NC terminal.
		B2	B2	5	
		NC	NC	6	
	Motor connection	U	U	7	Connect each phase of the motor winding. U: U phase V: V phase W: W phase
		V	V	8	
		W	W	9	
Earth			–	There are 2 grounding terminals. Connect the one terminal to ground, and the other to the E terminal of a motor. Do not connect more than one wire to a grounding terminal.	

- Refer to section 9-3 for the tightening torque of the screw.
- Tighten M5 terminal block cover fixing screw with the 0.4 N•m torque.

7-2 USB Connector X1

By connecting to the PC through USB interface, various operations such as setting/changing of parameters, monitoring of control state, referencing of error/history, and saving/loading of parameters can be performed.

Name	Symbol	Connector pin no.	Description
USB signal	VBUS	1	<ul style="list-style-type: none"> • Communicate with a computer
	D-	2	
	D+	3	
For manufacturer use	–	4	<ul style="list-style-type: none"> • Do not connect
Signal ground	GND	5	<ul style="list-style-type: none"> • Signal ground

7-3 RTEX connectors [X2A] and [X2B]

For connection, use RJ45 connector.

[X2A] RX connector

Name	Symbol	Connector pin no.	Description
Unused	-	1	Connect to pin 1 on TX connector of sending side node.
Unused	-	2	Connect to pin 2 on TX connector of sending side node.
Network input +	RX+	3	Connect to pin 3 on TX connector of sending side node.
Unused	-	4	Connect to pin 4 on TX connector of sending side node.
Unused	-	5	Connect to pin 5 on TX connector of sending side node.
Network input -	RX-	6	Connect to pin 6 on TX connector of sending side node.
Unused	-	7	Connect to pin 7 on TX connector of sending side node.
Unused	-	8	Connect to pin 8 on TX connector of sending side node.
Frame ground	FG	Shell	Connect to shield of cable.

[X2B] TX connector

Name	Symbol	Connector pin no.	Description
Unused	-	1	Connect to pin 1 on RX connector of receiving side node.
Unused	-	2	Connect to pin 2 on RX connector of receiving side node.
Network output +	TX+	3	Connect to pin 3 on RX connector of receiving side node.
Unused	-	4	Connect to pin 4 on RX connector of receiving side node.
Unused	-	5	Connect to pin 5 on RX connector of receiving side node.
Network output -	TX-	6	Connect to pin 6 on RX connector of receiving side node.
Unused	-	7	Connect to pin 7 on RX connector of receiving side node.
Unused	-	8	Connect to pin 8 on RX connector of receiving side node.
Frame ground	FG	Shell	Connect to shield of cable.

- Be sure to use shielded twisted pair (STP) compatible with 5e of TIA/EIA-568 or higher category.

7-4 Safety function connector [X3] (for MINAS-A5N9 Series)

For the safety function connector.

Name	Symbol	Connector pin no.	Description	I/O type
Reserved	—	1	Do not connect.	—
	—	2		—
Safety input 1	SF1-	3	These are two independent circuits that turn off the operation signal to the power module to shut off the motor current.	i-1
	SF1+	4		
Safety input 2	SF2-	5		
	SF2+	6		
EDM output	EDM-	7	This is an output for monitoring the failure of the safety function.	o-1
	EDM+	8		
Frame ground	FG	Shell	Connected with protective earth terminal in the servo driver.	—

Refer to the technical document SX-DSV02199 for the safety function.

7-5 I/O Connector X4Input signal

Name	Symbol	Connector pin no.	Description	I/O type
Control signal power source	I-COM	6	<ul style="list-style-type: none"> Connect to positive/negative polarity of the external power supply. Use power supply: 12 V +/-5% to 24 V +/-5% 	—
Input 1	SI1	5	<ul style="list-style-type: none"> Assign functions using parameters. For details, refer to the technical data – Basic function specification – SX-DSV02202. Range of available functions is limited. For example, external latch input EXT1 can be allocated only to SI5, EXT2 to SI6 and EXT3 to SI7. For factory default function assignment, refer to appendix “Specification for Each Model”. 	i-1
Input 2	SI2	7		i-1
Input 3	SI3	8		i-1
Input 4	SI4	9		i-1
Input 5	SI5	10		i-1
Input 6	SI6	11		i-1
Input 7	SI7	12		i-1
Input 8	SI8	13		i-1

Output signal

Name	Symbol	Connector pin no.	Description	I/O type
Output 1	SO1+	1	<ul style="list-style-type: none"> Assign functions using parameters. For details, refer to the technical data—Basic function specification—SX-DSV02202. For factory default function assignment, refer to appendix “Specification for Each Model”. 	o-1
	SO1-	2		
Output 2	SO2+	25		
	SO2-	26		
Output 3	SO3+	3		
	SO3-	4		

Encoder output signal

Name	Symbol	Connector pin no.	Description	I/O type
Phase A output	OA+	17	<ul style="list-style-type: none"> Differential output of divided encoder signal or external scale signal (A – B phase). (RS422 compatible) 	Do-1
	OA-	18		
Phase B output	OB+	20	<ul style="list-style-type: none"> The ground of line driver of output circuit is connected to the signal ground (GND) and kept non-insulated. 	
	OB-	19		
Reserved	-	21	<ul style="list-style-type: none"> Maximum output frequency is 4 Mpps (multiplied by 4). Use a line receiver to receive the differential signals, and connect a termination resistor (Approx. 330 Ω) between the input terminals of the line receiver. Use a shielded twisted-pair cable for wiring, and connect the shield wire to the connector shell. 	
	-	22		
Signal ground	GND	16	<ul style="list-style-type: none"> Signal ground Be sure to connect the ground of the line receiver to this terminal. 	—

Other

Name	Symbol	Connector pin no.	Description	I/O type
Reserved	—	14, 15 23, 24	• Do not connect	—
Frame ground	FG	Shell	• Connected to the earth terminal in the servo driver.	—

7-6 Feedback Scale Connector **X5**

Name	Connector pin no.	Description
Power supply output for feedback scale	1	EX5V (Note 2) (Note 3)
	2	EX0V (Note 1)
Feedback scale signal input / output (serial signal)	3	EXPS
	4	/EXPS
Feedback scale signal input (A / B / Z phase signal)	5	EXA
	6	/EXA
	7	EXB
	8	/EXB
	9	EXZ
	10	/EXZ
Frame ground	Shell	FG

Note 1: EX0V power supply output for feedback scale is connected with the signal ground of the X4 connector.

Note 2: EX5V power supply output for feedback scale and E5V power supply output for CS signal are rated at 5.2 V \pm 5% and 300 mA at maximum. To use an feedback scale and CS signal with a current consumption higher than that, a preparation of an external power supply is required. Some feedback scales may take longer time in initialization after turning on the power.

Note 3: In case an external power supply is used for the feedback scale, make sure that the EX5V pin is open and no external power is supplied to the EX5V pin.

7-7 CS signal Connector **X6**

Name	Connector pin no.	Description
CS signal power supply output	1	E5V
	2	E0V (Note 1)
Reserved	3	Do not connect.
CS signal I/O	4	CS3 signal input
	5	CS2 signal input
	6	CS1 signal input
Frame ground	Shell	FG

Note 1: E0V power supply output for feedback scale is connected with the signal ground of the X4 connector.

Connet the ground of CS signal to E0V.

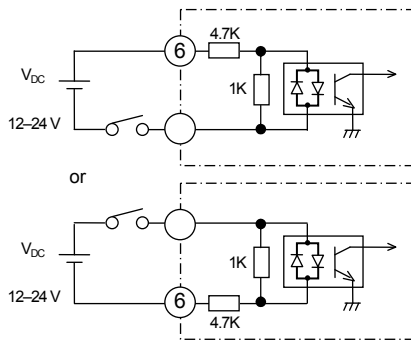
Note 2: EX5V power supply output for feedback scale and E5V power supply output for CS signal are rated at 5.2 V \pm 5% and 300 mA at maximum. To use an feedback scale and CS signal with a current consumption higher than that, a preparation of an external power supply is required.

7-8 Monitor Connector X7

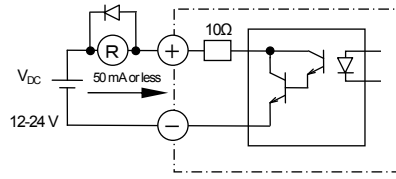
Name	Symbol	Connector pin no.	Description	I/O signal interface
Analog monitor output 1	AM1	1	<ul style="list-style-type: none"> Analog signal output for monitoring Monitoring object changes according to the parameter setting. 	Ao-1
Analog monitor output 2	AM2	2	<ul style="list-style-type: none"> For details, refer to the technical data—Basic function specification—SX-DSV02309. 	
Signal ground	GND	3	<ul style="list-style-type: none"> Signal ground 	—
Reserved	—	4	<ul style="list-style-type: none"> Do not connect 	—
Reserved	—	5	<ul style="list-style-type: none"> Do not connect 	—
Reserved	—	6	<ul style="list-style-type: none"> Do not connect 	—

I/O signal interface

i-1

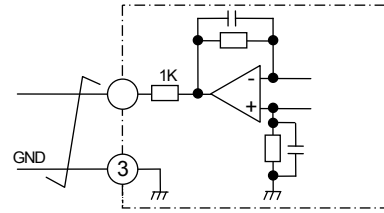


o-1



Note: To directly run the relay, attach a diode in parallel with the relay and in the direction shown in the figure above.
VCE sat = 1.2 V

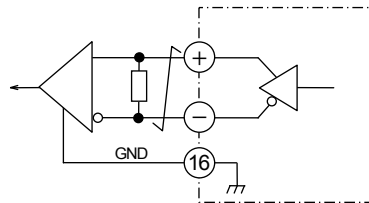
Ao-1



Output signal amplitude is $\pm 10V$

Do-1

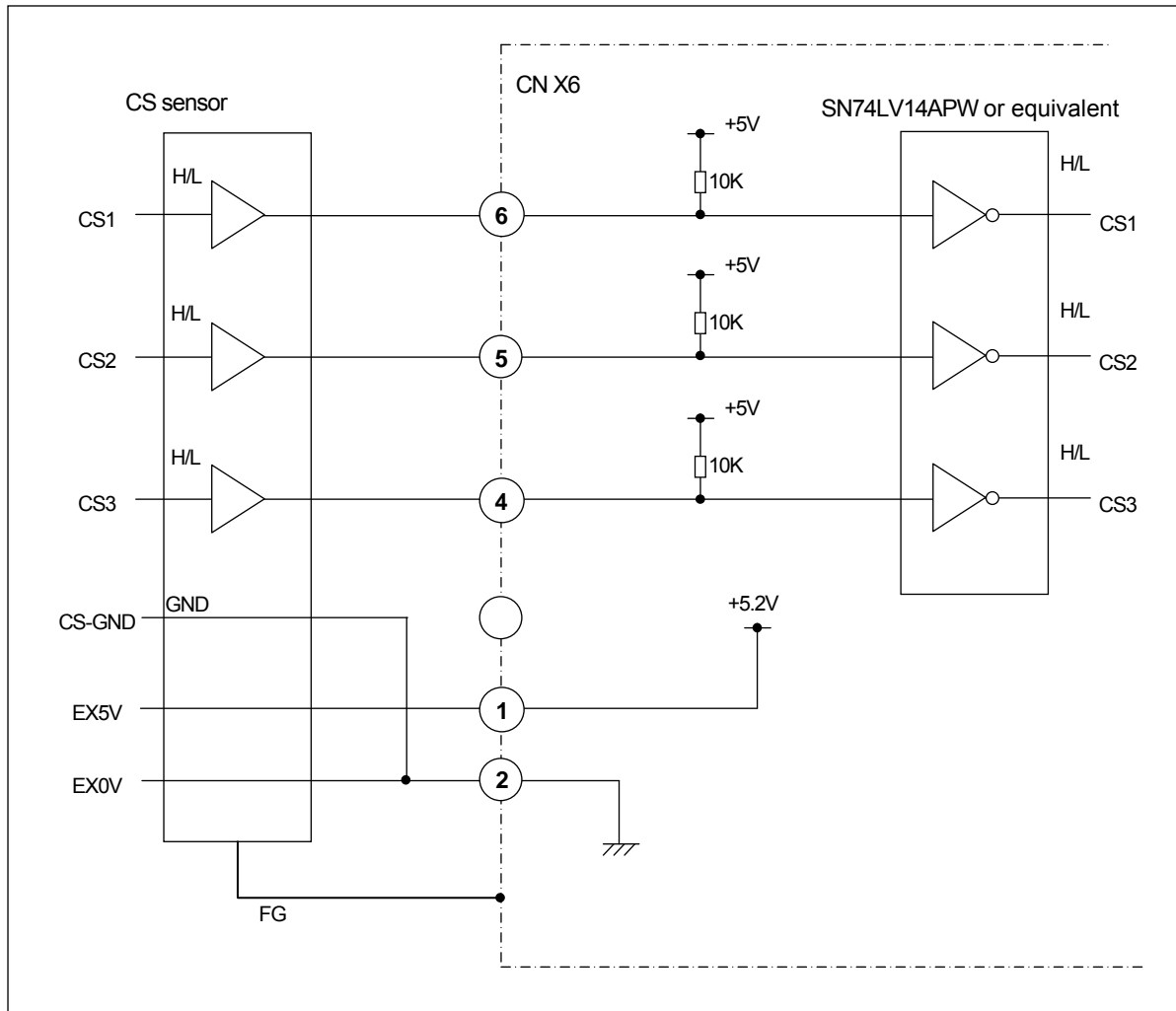
Equivalent of AM26C31



+: Pins 17, 20, 21, -: Pins 18, 19, 22

Connect a terminating resistor (approx. 330 Ω) between the input terminals of the line receiver.



CS signal interface



(Note) Refer to technical document SX-DSV02309 for the relation of the move direction of CS signal and the linear motor.

8. Wiring

8-1 Used Cables and Maximum Cable Lengths

Name	Symbol	Maximum cable length	Used cable
Main power supply	L1, L2, L3	—	Refer to the associated specification available separately.
Control power supply	L1C, L2C	—	HVSF 0.75 mm ²
Motor connection	U, V, W, 	20 m	Refer to the associated specification available separately. (Note 1)
Earth cable		1 m	Refer to the associated specification available separately.
Scale connection	X6	20 m	Overall twisted shielded pair Core wire: 0.18 mm ² or larger
I/O connection	X4	3 m	
RTEX connection	X2A/X2B	100 m (Note 2)	Twisted shielded pair (STP) cable of category 5e or better

Note 1: When using Tyco Electronics AMP connectors (172167-1, 172189-1) as motor junction connector, maximum applicable conductor size is 1.3 mm².

Note 2: Refer to 8.3 (5) Connection to connectors **X2A** and **X2B**.

8-2 Cable Side Connector

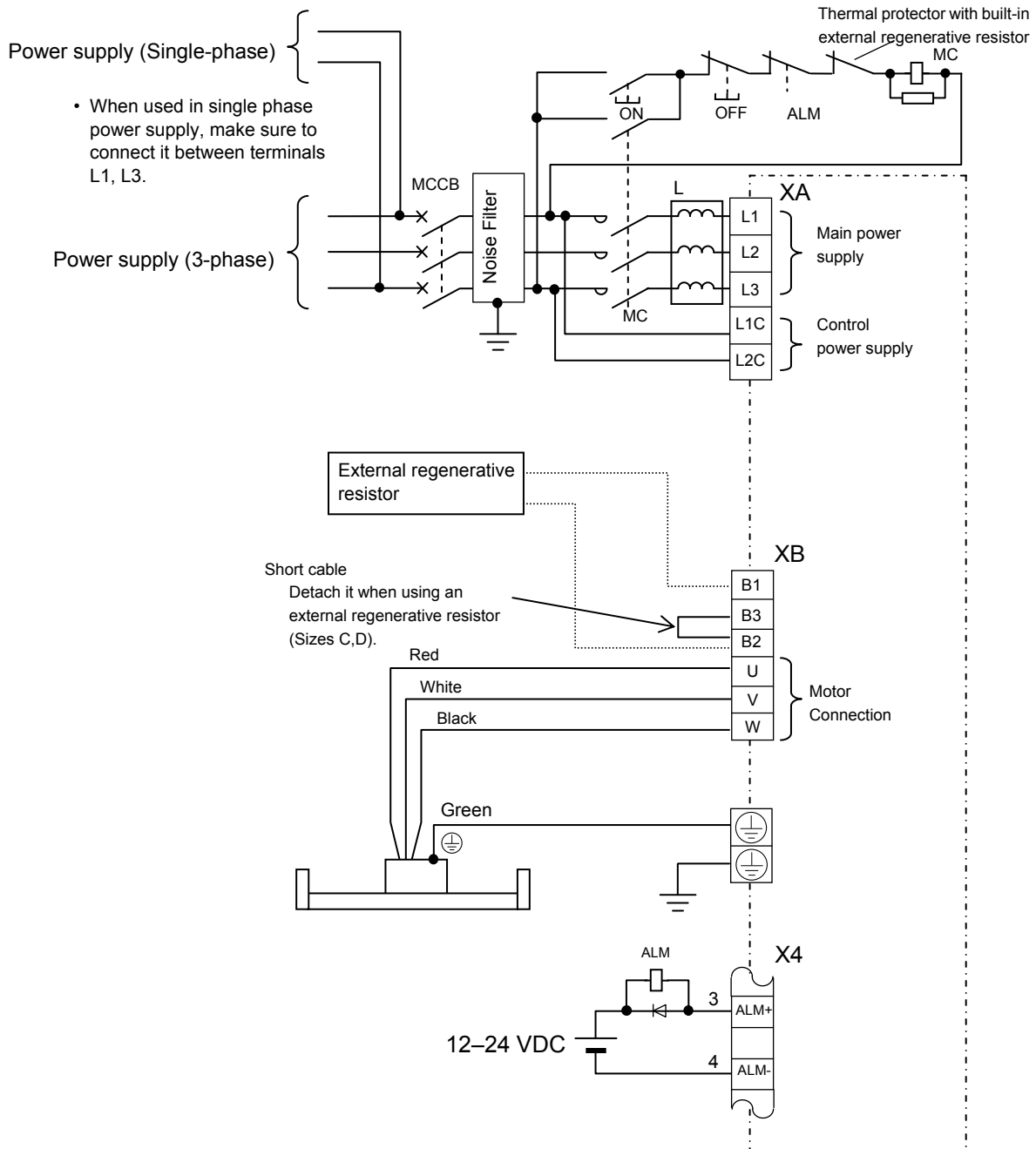
Connector symbol	Part name	Part number	Manufacturer
X3	Connector	2013595-1	Tyco Electronics
X4	Solder plug (soldering type)	10126-3000PE	Sumitomo 3M
	Shell kit	10326-52A0-008	
X5	Connector	MUF-PK10K-X	J. S. T. Mfg
X6	Connector	3E206-0100KV	Sumitomo 3M
		3E306-3200-008	
X7	Connector	51004-0600	Molex
	Connector pin	50011-8100	

Use connectors listed above or equivalents.

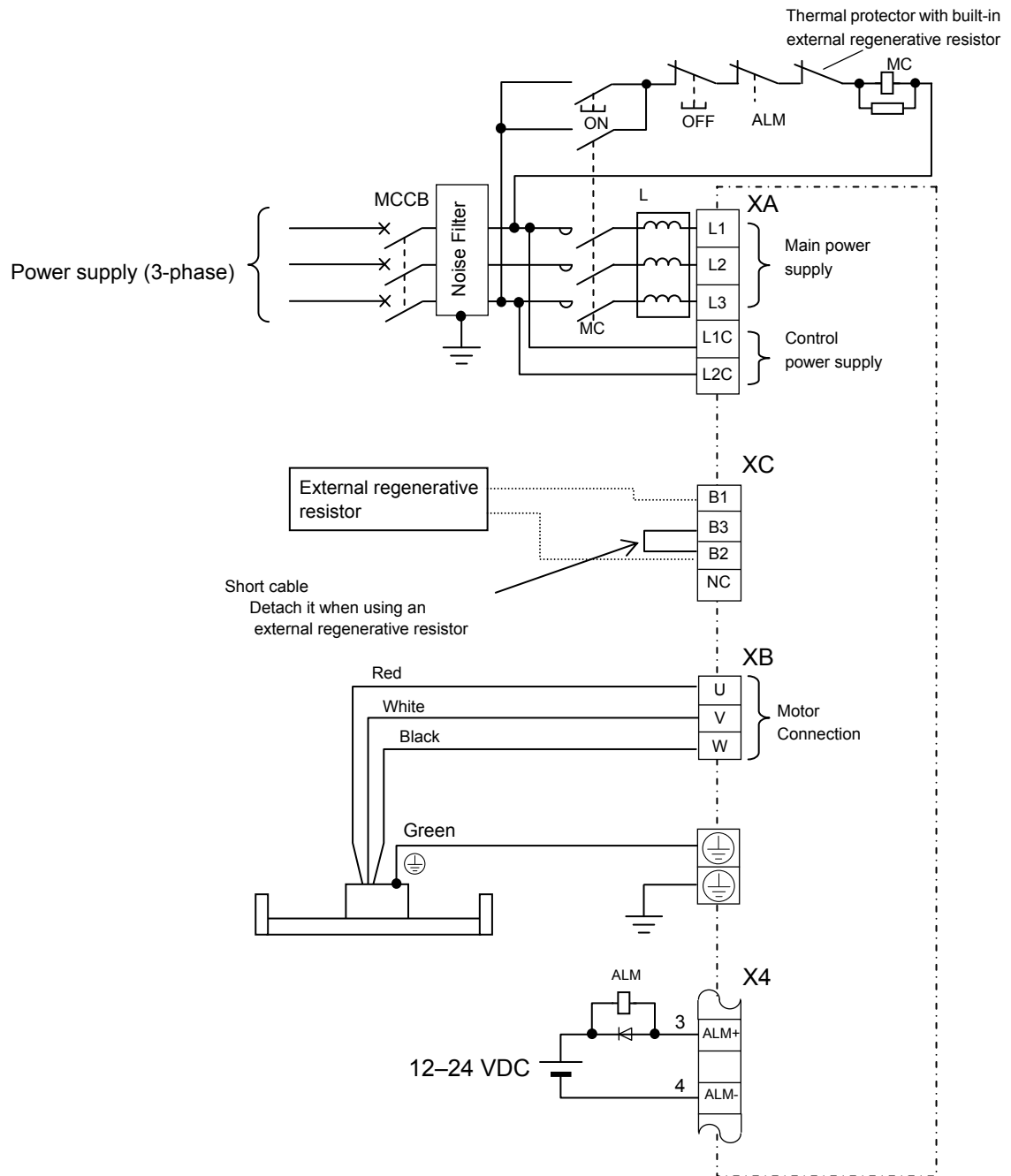
8-3 Precautions for Wiring

(1) Wiring to power connector and terminal block

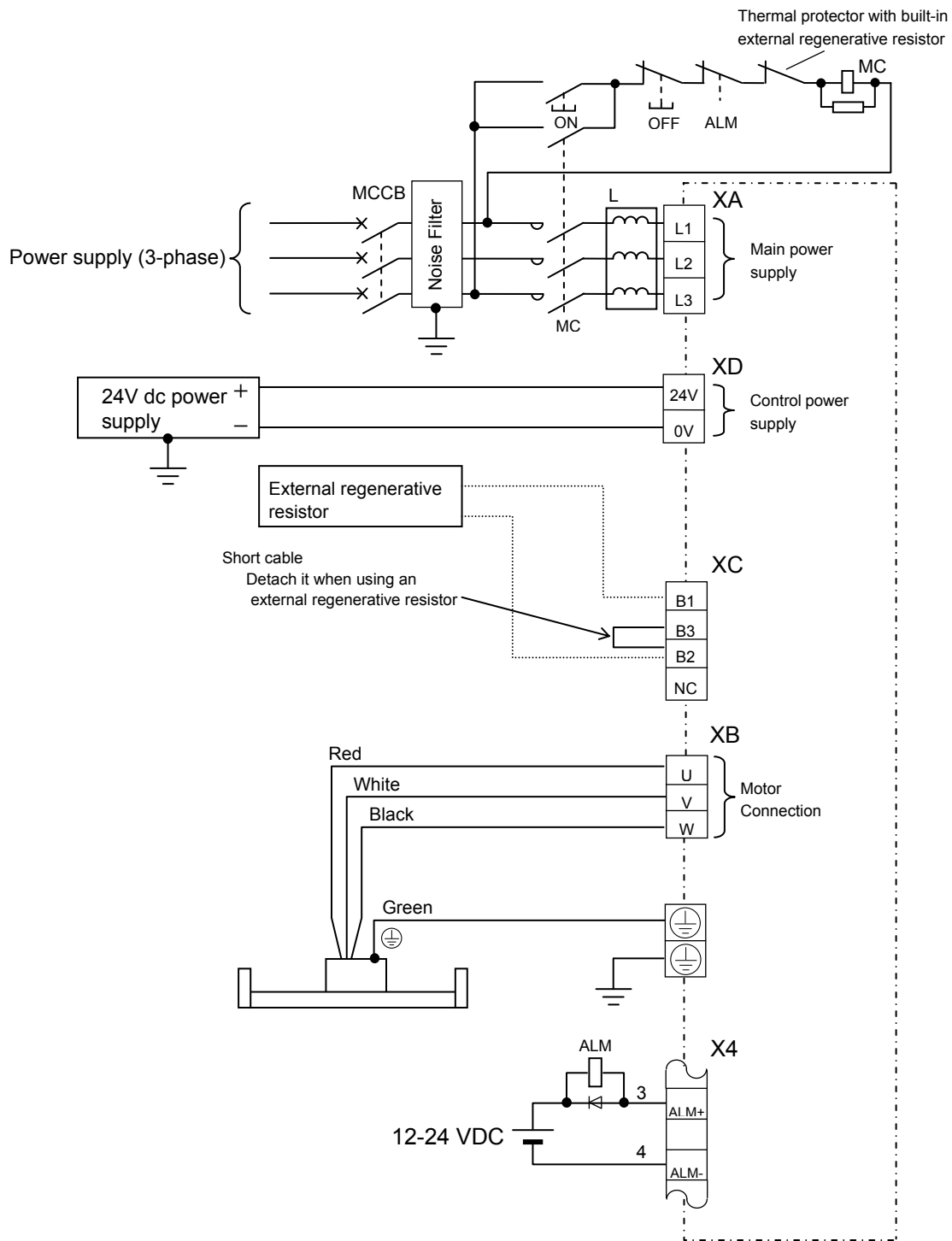
100/200 V Sizes A-D:



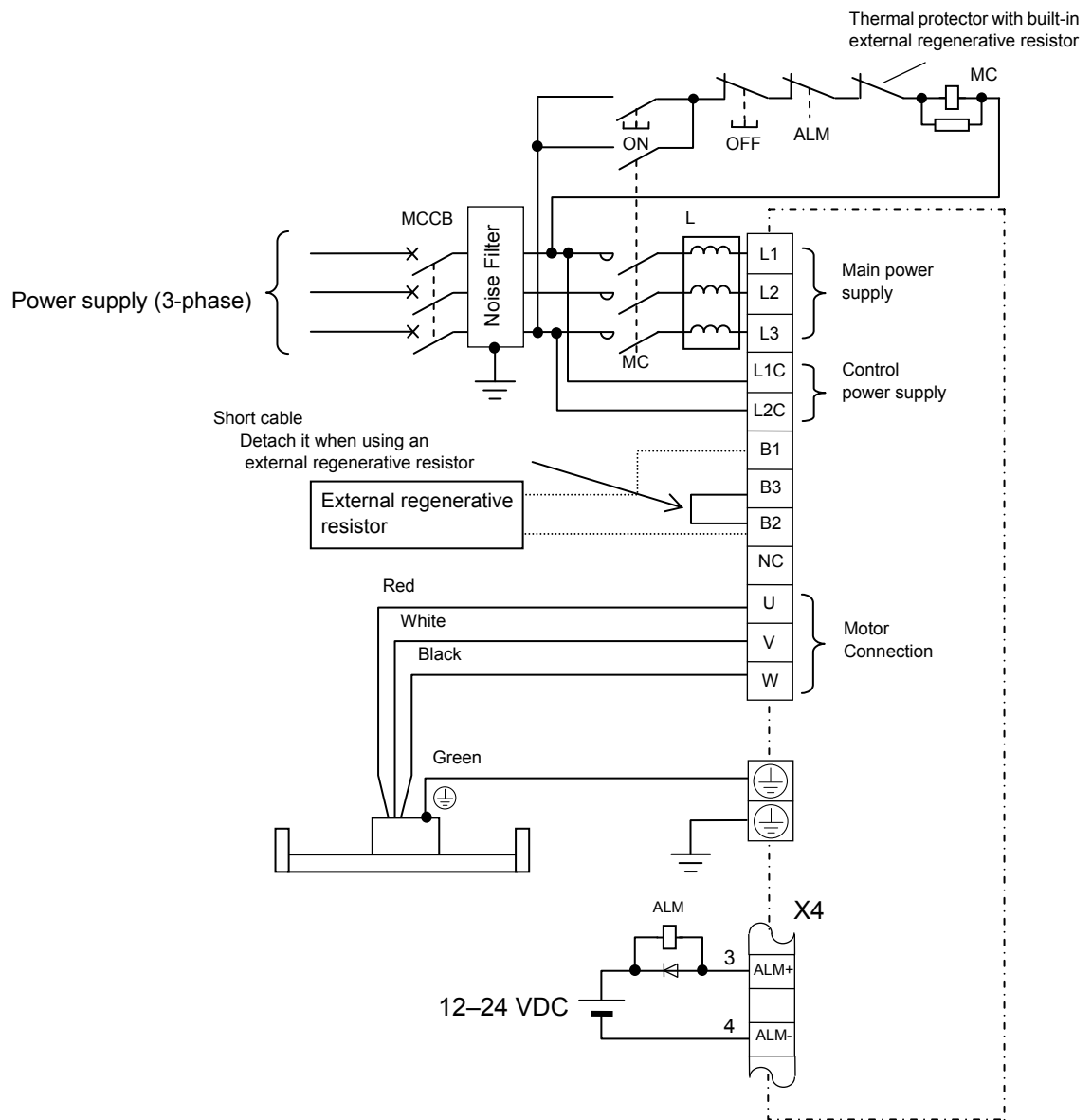
200 V Size E



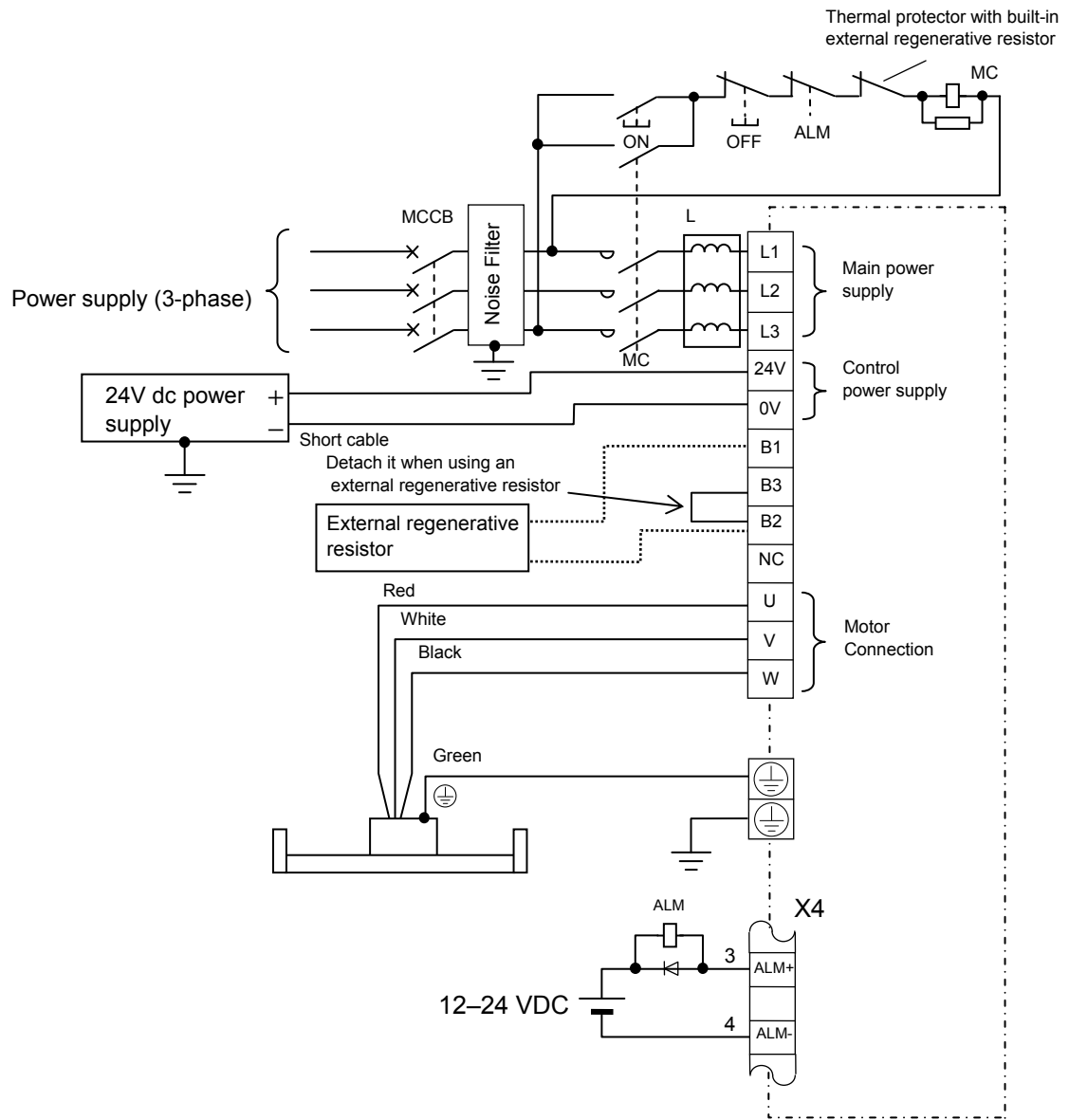
400 V Sizes D and E



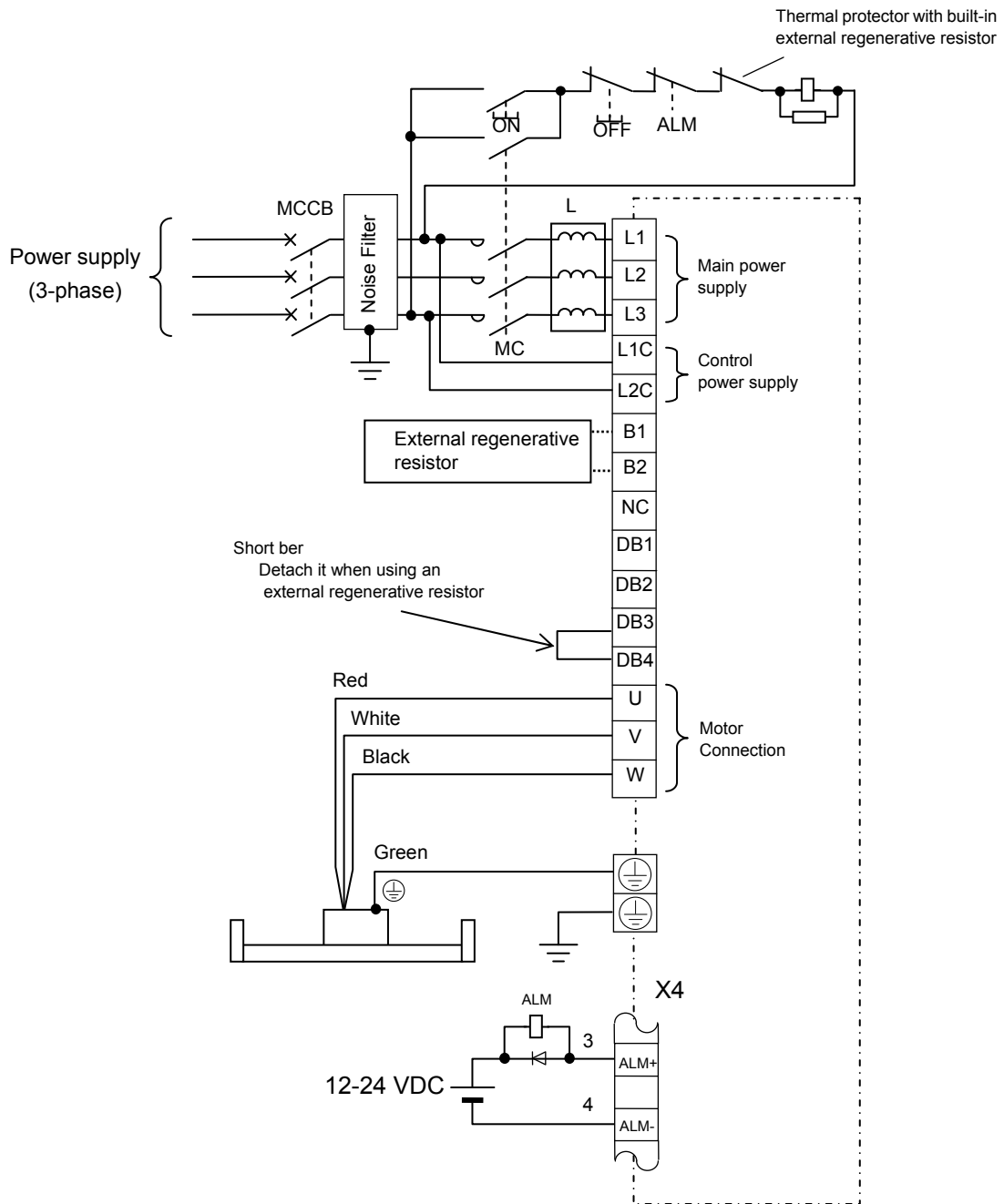
200 V Size F



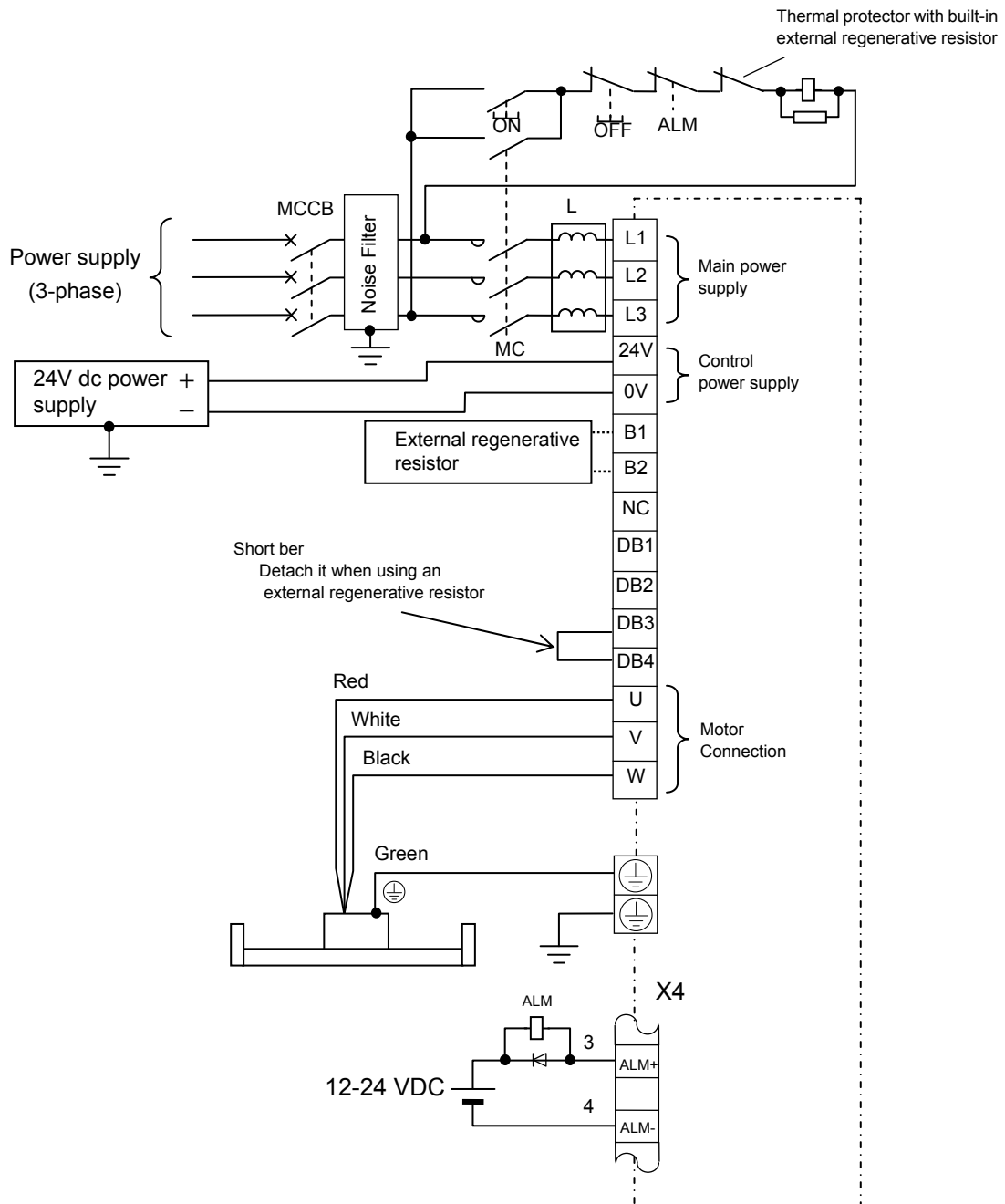
400 V Size F



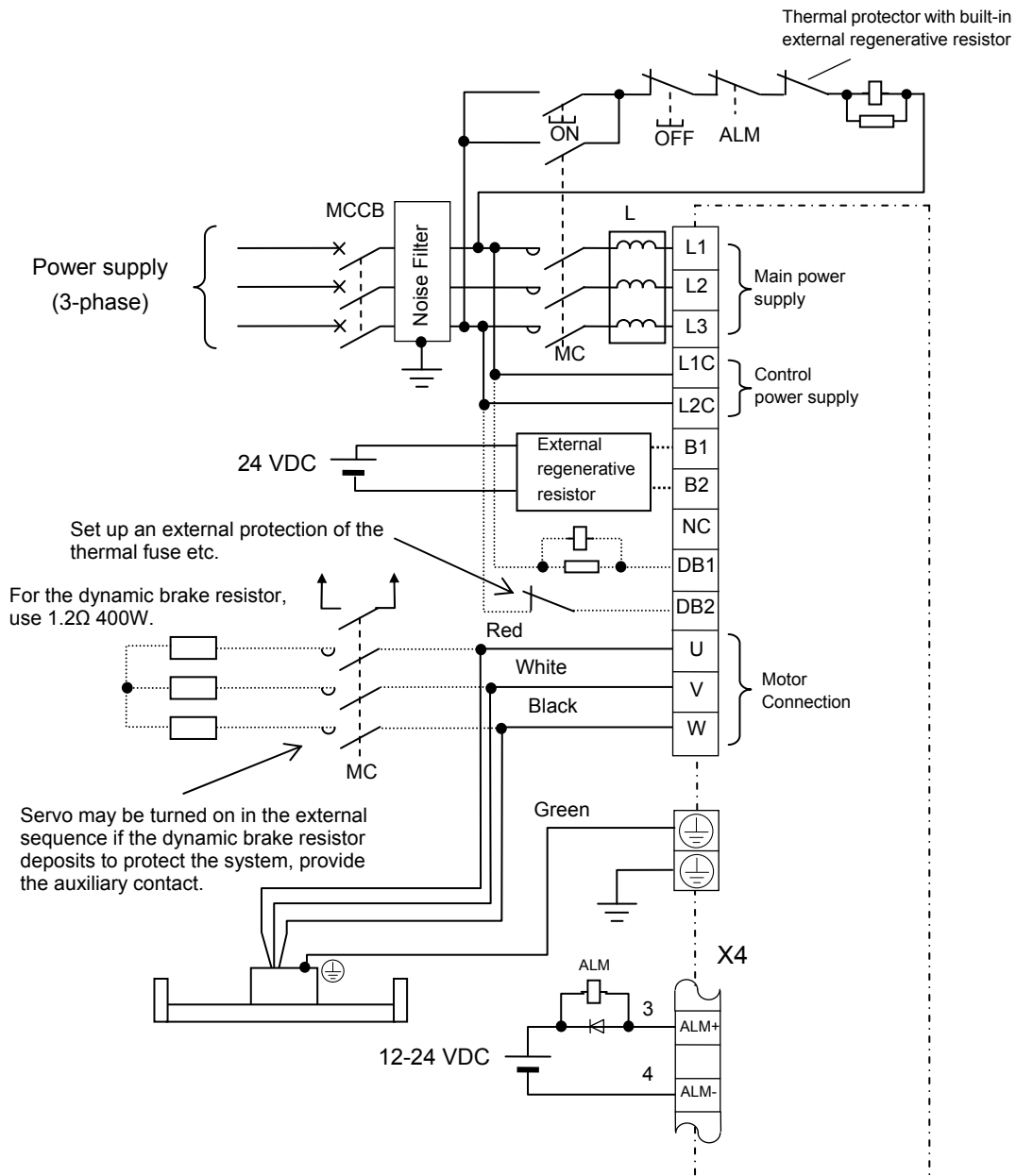
200 V Size G



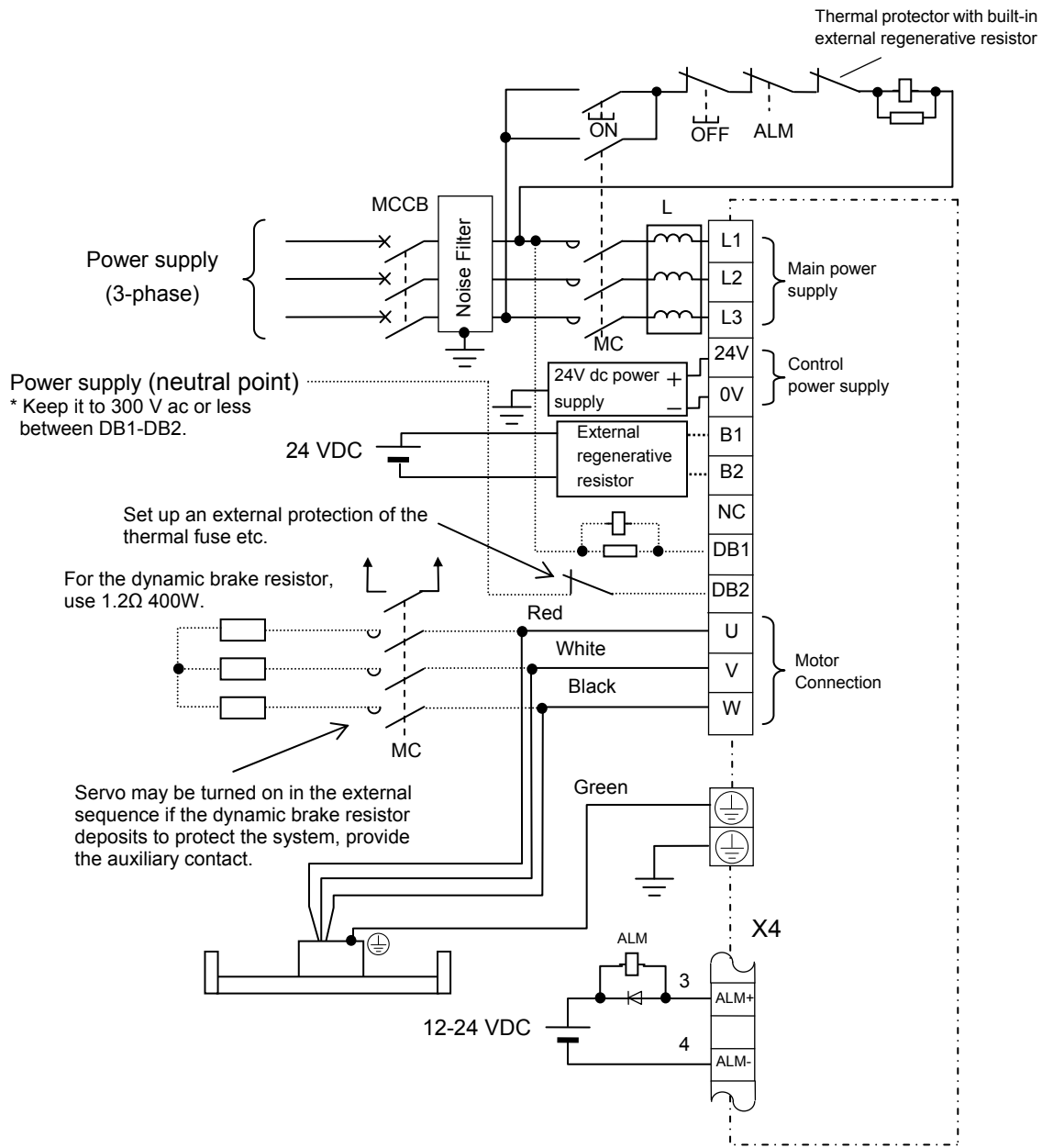
400 V Size G



200 V Size H



400 V Size H



- [1] When the servo driver uses single phase power supply for sizes A–D, connect the servo driver to the terminals L1, L3 of main power supply input. Do not connect anything to the terminal L2.
- [2] Surely insert the connector into place until it clicks.
- [3] Make sure to use an insulation coated crimp terminal when connecting to each terminal on the terminal block.
- [4] Terminal block cover is fixed with screws. When wiring to the terminal block, unscrew these screws to uncover the cover. Tighten the cover fixing screw with the torque of 0.2 N•m or less.
- [5] Apply the power supply of the voltage indicated on the nameplate.
- [6] Do not reverse-connect the power input terminals (L1, L2, and L3) and the motor output terminals (U, V, and W).
- [7] Do not connect the motor output terminals (U, V, and W) to ground or short out them.
- [8] Because high voltage is applied to the power connectors **XA**, **XB**, **XC**, **XD** and the terminal block, never touch them on any account. It may cause electric shock.
- [9] For 750 W or higher models: When the installation is protected through the circuit breaker up to 20 A capacity, the maximum power available to the circuit is 5,000 Arms at 240 V. Do not overload the system.
- [10] An AC servomotor, unlike an induction motor, cannot change the rotation direction by exchanging three phases. Make sure to coincide the motor output terminals (U, V, and W) of the servo driver with the colors (pin number for cannon plugs) of the motor output cables.
- [11] Surely connect the ground terminals of the motor and the servo driver and earth the ground terminal as well as that of the noise filter. In addition, earth the equipment unit. To earth them, use the earth type D (ground resistance: 100 ohm or less) for grounding. (In order to avoid the impact of electrolytic corrosion, do not immediately have any contact between aluminum and copper.)
- [12] Attach the surge absorbing circuits for preventing noises to an electromagnetic contactor placed around the servo driver, a coil between relay contact points, and a brake winding of motor with a brake.
- [13] Attach the no fuse breaker. In case of emergency, make sure to power off outside the servo driver. To use an earth leakage circuit breaker, use that in which a high frequency wave countermeasure is taken.
- [14] In order to reduce the terminal noise voltage, install a noise filter.
- [15] Turn ON the power after the wiring was finished.

[16] About the regenerative resistor,

- The regenerative resistor is not built into A, B, G, and H frame.
- The regenerative resistor is built into F frame. The regenerative resistor becomes effective when the short-circuited between the terminal B2 and B3. Use it usually under such a condition.

(When shipping it, between the terminal B2 and B3 of A, B, G, and H frame is opened because the regenerative resistor is not built-in.)

When a trip occurs due to the regenerative load protection error, externally install a regenerative resistor.

To externally install a regenerative resistor, remove a connection cable between terminals B2 and B3 and then connect the regenerative resistor between terminals B1 and B2.

To use an external regenerative resistor, set Pr0.16 (external regenerative resistor selection) to 1 or 2.

- As for external regenerative resistor, we recommend the resistors below:

Size	Input power voltage		
	Single phase 100 V	Single/3 phase 200 V	3 phase 400 V
A	DV0P4280	DV0P4281 (100 W or less), DV0P4283 (200 W)	-
B	DV0P4283	DV0P4283	
C	DV0P4282	DV0P4283	
D	-	DV0P4284	DV0PM20048
E		DV0P4284 x 2 in parallel or DV0P4285 x 1	DV0PM20049
F		DV0P4285 x 2 in parallel	DV0PM20049 x 2 in parallel
G		DV0P4285 x 3 in parallel	DV0PM20049 x 3 in parallel
H		DV0P4285 x 6 in parallel or DV0PM20058	DV0PM20049 x 6 in parallel or DV0PM20059

Manufacturer by Iwaki Musen Kenkyusho Co.,Ltd.

Our part number	Manufacturer part number	Specification			Built-in thermal protector operational temperature
		Resistance value [Ω]	Rated power (for reference) *		
			Free air [W]	Fan used [W] (1 m/s)	
DV0P4280	RF70M	50	10	25	140 ± 5 deg. Celsius Contact point B Open/close capacity (resistance load) 1A 125VAC, 6000 times 0.5A 250VAC, 10000 times
DV0P4281	RF70M	100	10	25	
DV0P4282	RF180B	25	17	50	
DV0P4283	RF180B	50	17	50	
DV0P4284	RF240	30	40	100	
DV0P4285	RH450F	20	52	130	
DV0PM20048	RF240	120	35	80	
DV0PM20049	RH450F	80	65	190	
DV0PM20058	-	3.3	-	780	
DV0PM20059	-	13.33	-	1140	

* Electric power available without running the built-in thermal protector.

For safety, a temperature fuse and a thermal protector are built in.

- Configure the circuit so as to turn off the power supply when the thermal protector is running.
- The built-in temperature fuse can break according to the radiation condition, the used temperature range, the power supply voltage, and the load change.

Install a thermal fuse so that the surface temperature of the regeneration resistor does not exceed 100°C in a condition in which regeneration occurs easily (power supply voltage is high, load inertia is large, and deceleration time is short etc.) and perform an operation check.

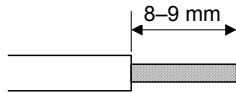
- Attach the regenerative resistor on the incombustibles such as metal.
- Install the regenerative resistor so that people cannot directly touch it, such as the incombustible to cover it.
- Keep the temperature of places, which people can directly touch, below 70 deg. Celsius.

Method for connection to power connector

Use the following procedure for connection to connectors **XA**, **XB**, **XC** and **XD**.

<Method for connection>

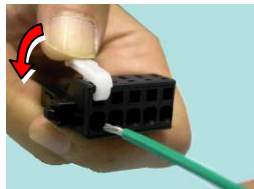
- Strip off the insulation of the wire



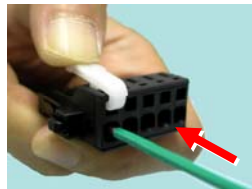
- Insert a wire into the connector. The following 2 methods can be used to insert the wire.

- Insert a wire using the lever attached.
- Use a flat-head (-) screwdriver (with a tip width 3.0–3.5 mm).

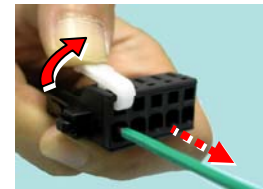
- Using the lever



[1] Press the lever attached above the upper slot with a finger to push down the spring.



[2] While pressing down the lever, insert a wire into the insertion opening (round hole) until it stops.

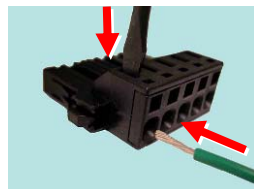


[3] Release the lever to connect the wire.

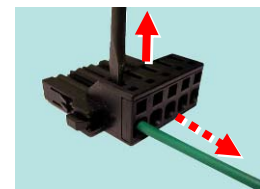
- Using a screwdriver, Part 2



[1] Placing a dedicated screwdriver on the upper slot, press down the spring.



[2] Insert a wire, with the insulation stripped off correctly, into the wire insertion opening until it stops.




[3] Release the screwdriver to connect the wire.

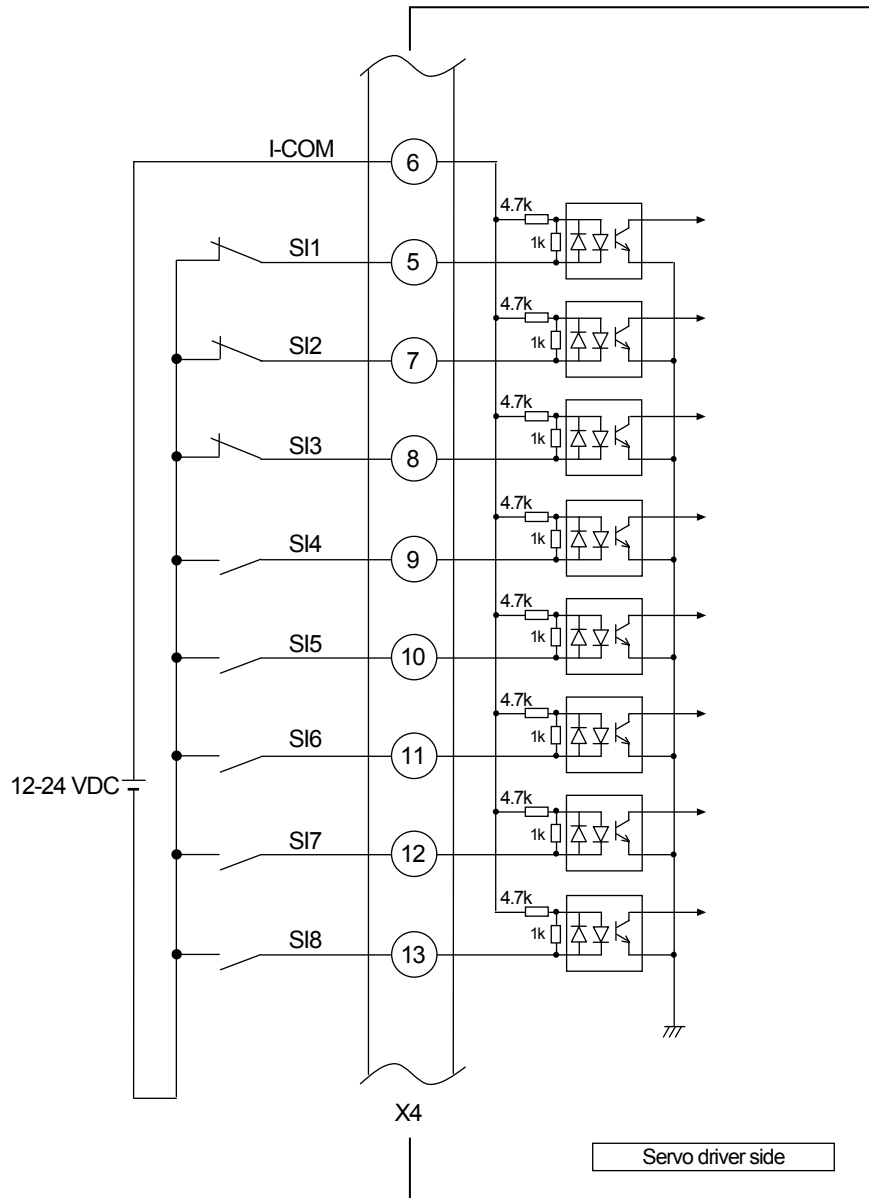
<Precautions>

- Strip off correct length of insulation of a wire.
- When connecting a wire to the connector, be sure to disconnect the connector from the servo driver in advance.
- Insert only 1 wire into a wire insertion opening.
- Connected wire can be removed in the same way as it is inserted.
- Be careful not to be injured when using a screwdriver.

(2) Wiring to connector **X4**

- [1] The 12–24 VDC power supply for the external control signal connected to the I-COM should be prepared by the customer.
- [2] Place the servo driver and its peripheral device as nearly as possible (up to 3 m) so as to shorten the wiring.
- [3] Wire the wiring as far away as possible (30 cm or more) from the power lines (L1, L2, L3, L1C, L2C, U, V, W, ).

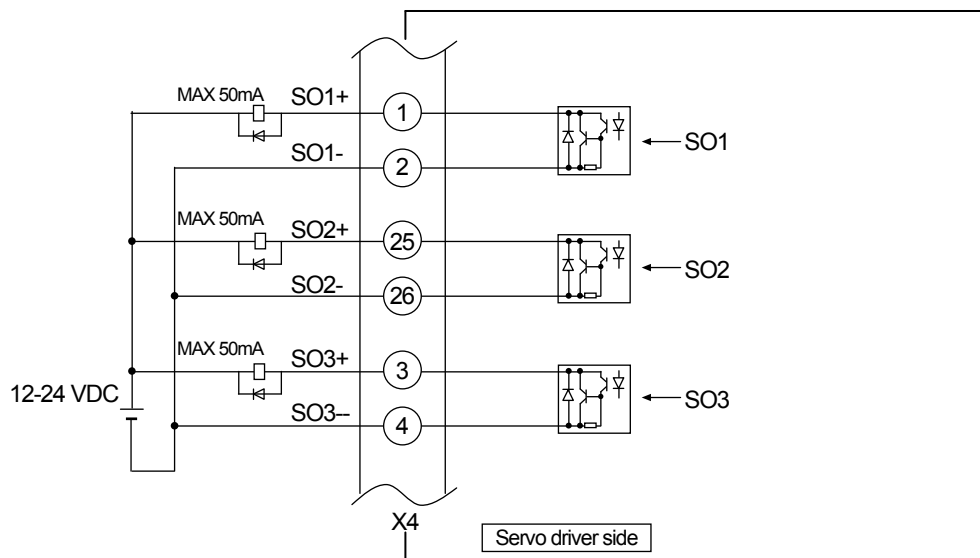
Do not put them in the same duct or bind them together.

Digital Input

The functions of the pins SI1-SI8 are assigned by parameters. For factory default settings, refer to Appendix “Specification for Each Model”.

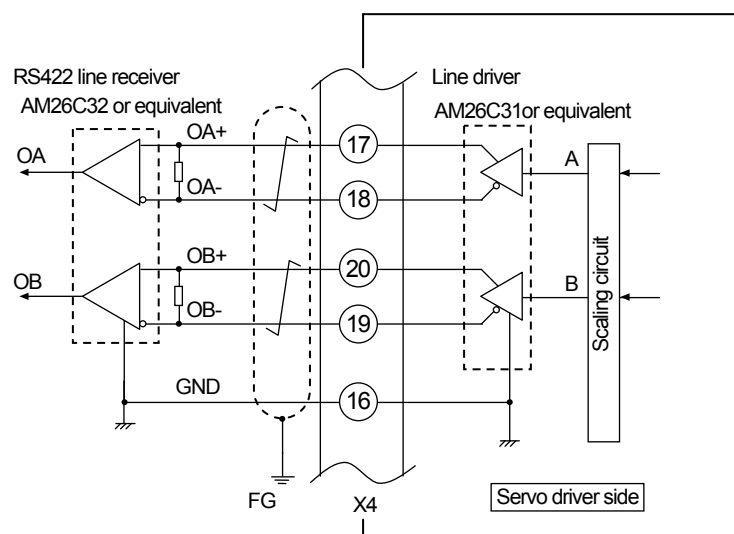
Digital Output

- [4] Be aware of the polarity of the power supply for control signals. The polarity connection contrary to the figure shown above can damage the servo driver.
- [5] To directly drive the relay with each output signal, make sure to attach a diode in parallel to the relay and in the direction as shown in the figure below. The servo driver can be damaged if the diode is not attached or the diode is attached in the reverse direction.
- [6] When a logic circuit such as a gate receives each output signal, take care so that a noise does not impact on the circuit.
- [7] Apply 50 mA or less of current to each output.



The functions of the pins S01-S03 are assigned by parameters. For factory default settings, refer to Appendix “Specification for Each Model”.


Feedback pulse of feedback scale



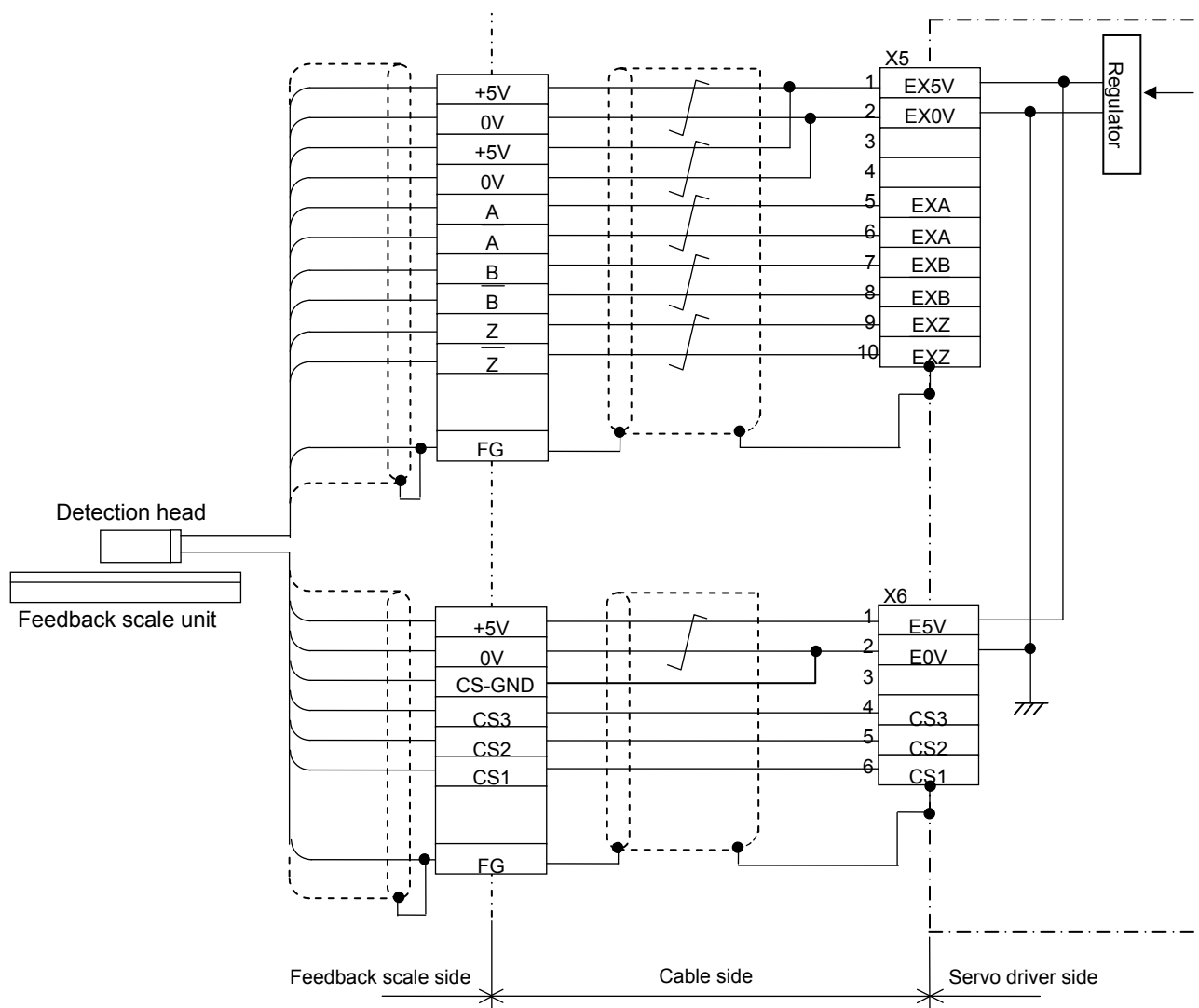
Note:

- [1] To receive the output pulse, use RS422 line receiver (AM26C32 or equivalent), with an appropriate termination resistor (approx. 330 Ω) connected across its inputs.

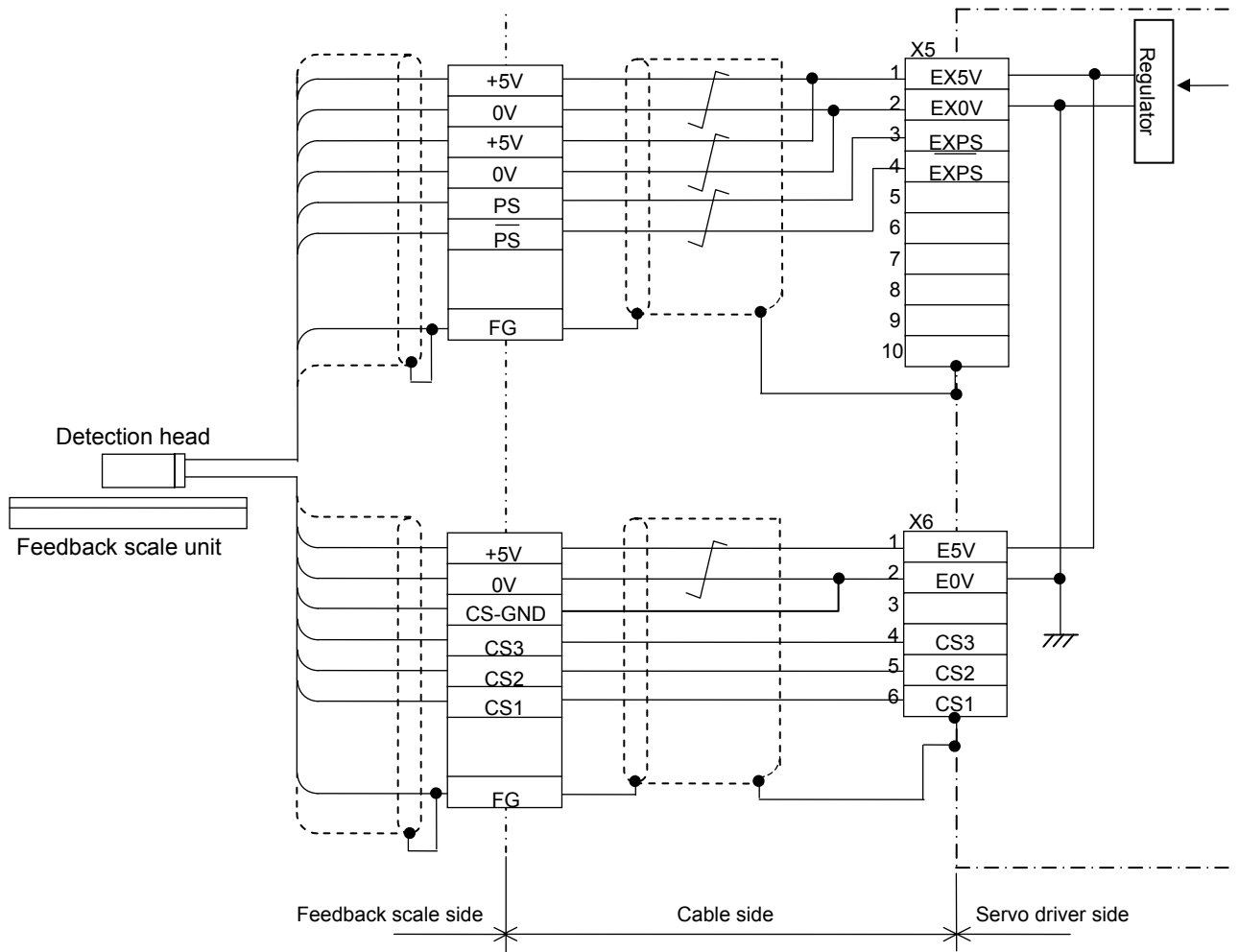
(3) Wiring to connector **X5** **X6**

- [1] As for the feedback scale and CS signal cable, use the batch shielded twisted wire pairs whose core is 0.18 mm² or more.
- [2] The cable length should be up to 20 m. When the wiring is long, we recommend you to use the double wiring for the 5 V power supply in order to reduce the impact of voltage drop.
- [5] Connect the coat of shielded cable at the motor side to the shield of shielded cable from the feedback scale and CS signal. Make sure to connect the coat of shielded cable at the servo driver side to the shell (FG) of **X5** and **X6**.
- [6] Wire the wiring as far away as possible (30 cm or more) from the power lines (L1, L2, L3, L1C, L2C, U, V, W, ) . Do not put them in the same duct or bind them together.
- [7] Do not connect anything to the empty pins of **X5** and **X6**.
- [8] **X5** and **X6** are capable to supply up to 5.2 V \pm 5% 300 mA power supply. When using an feedback scale and CS signal at more consumption current than this, customer is responsible for the power supply. Some external scales may take longer time in initialization after turning on the power. Design the power supply so as to meet the running timing after power-on which is described in “Basic function specifications.”
- [9] When using a magnet pole position estimation function without CS signal, wiring of X6 is unnecessary.

The example of A/B phase, differential origin signal input type wiring



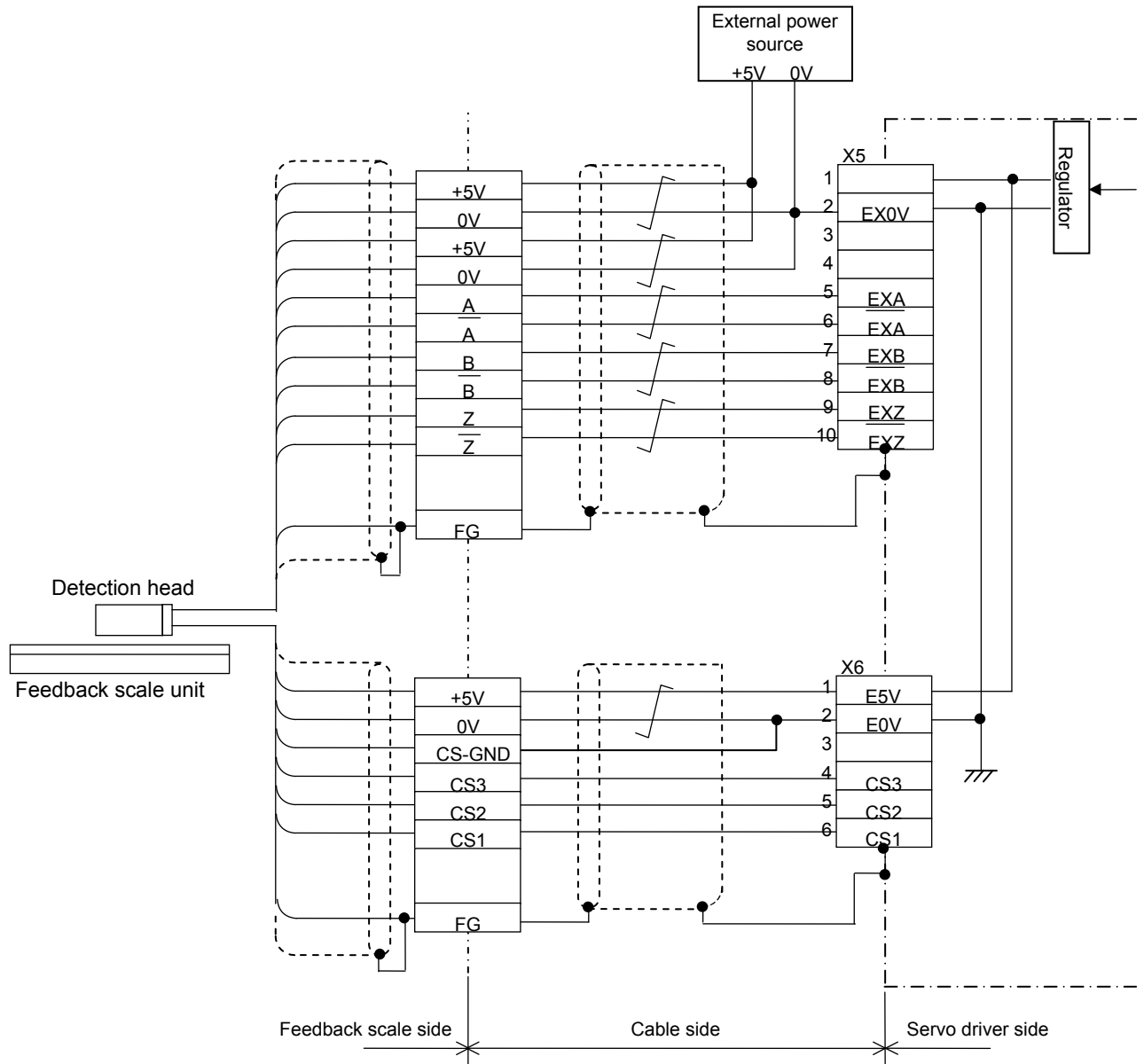
The example of serial communication type wiring



The example of A/B phase, differential origin signal input type wiring with the external power supply

(Note 1) Connect the ground of the external power supply and sensor to EX0V pin.

(Note 2) Do not connect with EX5V pin. And do not supply EX5V pin with power supply from the exterior.



(5) Wiring to connector **X2A**, **X2B**

[1] Use shielded twisted pair (STP) compatible with category 5e of SIA/EIA-568 or higher specifications.

If both ends of the shield are not grounded, EMC performance will degrade.

When installing connector plug on both ends of shielded cable, positively connect the shield to the metallic plug shell.

For colors of wire and matching connector pins, refer to TIA/EIA568B (see figure below).

Pins 3 and 6 are for signal wire.

Connect wire to 3 pin pairs on the connector: 1–2, 4–5 and 7–8.

When using 2-pair wire in place of 4-pair wire, use pins 1–2 and 3–6 and leave pins 4–5 and 7–8 on connector unconnected.

[2] Length of communication cable

- | |
|---|
| a. Between 2 nodes: max. 100 m |
| b. Total length of cables between all nodes in the communication loop: max. 200 m |

Both requirements should be met.

If the requirement b above cannot be met, consult with us.

Because specifications such as flexural characteristic, temperature range and insulation material differ from manufacturer to manufacturer, select the cable best suitable for your application.

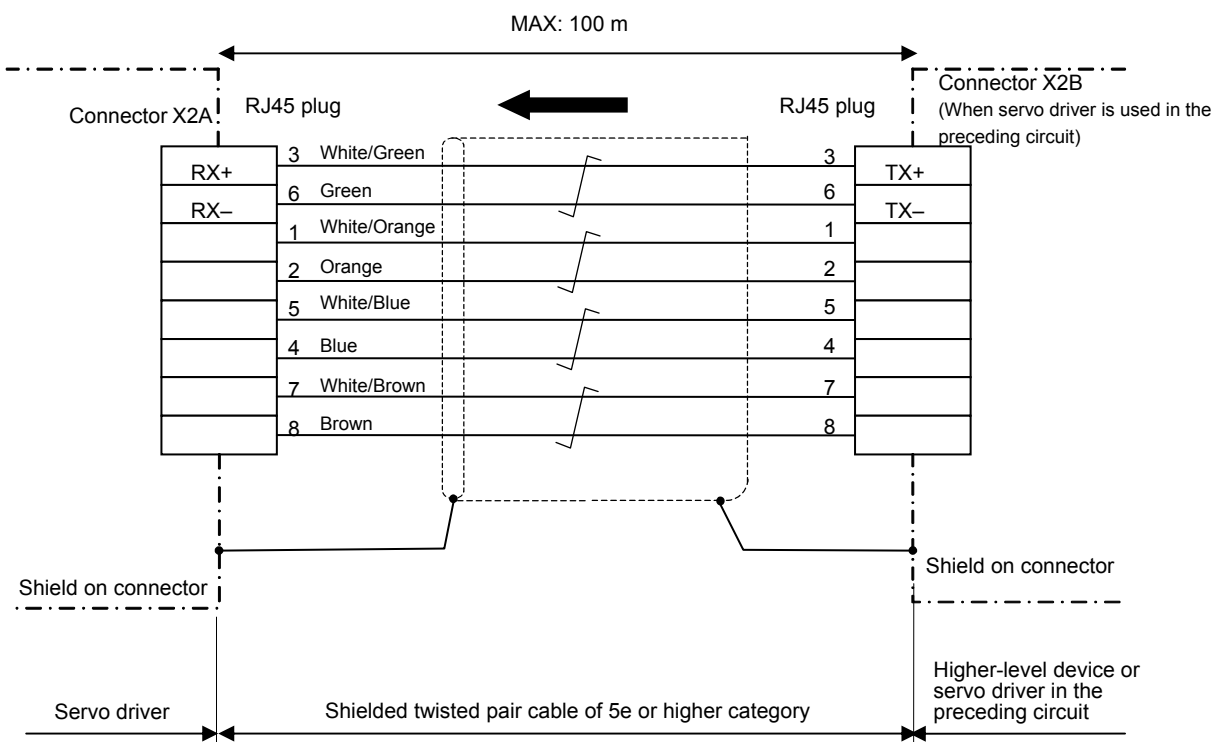
Select the cable for movable application according to your operating condition.

<Communication cable used in our evaluation>

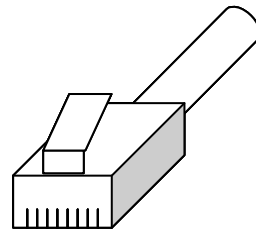
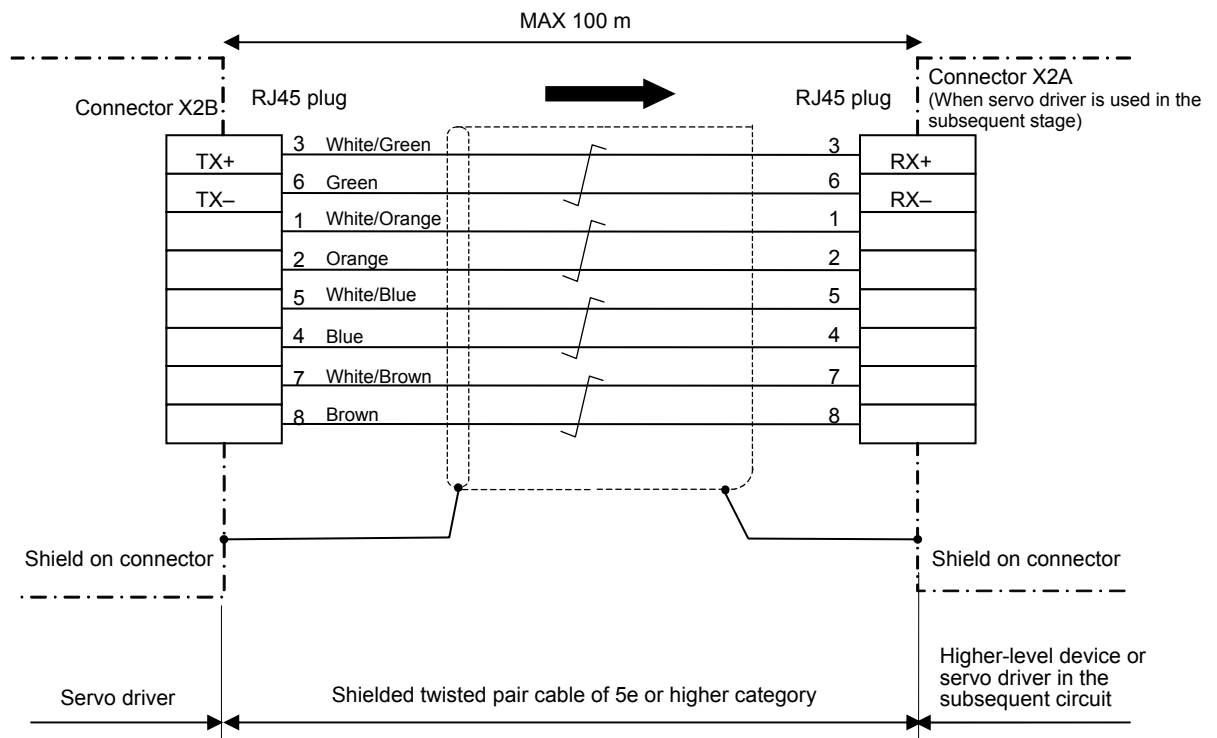
Manufacturer: Sanwa Supply Inc.

Part No.: KB-STP-*K, Category: 5e, STP

Connection to X2A



Wiring to connector X2B



1 → 8

Pins on RJ45 plug

9. Compliance with European EC Directive/UL Standard

9-1 European EC Directive

European EC directive is applied to all electronic products that are exported to EU, have the inherent functions, and are directly sold to the consuming public. These products are obliged to be compliant with the unified EU safety standard and paste the CE marking indicating the compliance to the products.

Our products, in order to make it easy for the embedded equipment and devices to be compliant with EC directive, provide the compliance with the standards associated with low voltage directive.

9-1-1 Compliance with EMC Directive

Our servo system determines the model (conditions) such as the installed distance and the wiring of the servo driver and the servo motor and makes the model compliant with the standards associated with EMC directive. When equipment and devices are embedded in practice, wiring and grounding conditions, etc. may be not the same as the model. Thus, it is necessary to measure how the final equipment and devices where the servo driver and the servo motor are embedded are compliant (especially unnecessary radiation noise, noise terminal voltage) with EMC directive.

9-1-2 Conforming Standards

		Servo driver
European EC directive	EMC directive	EN55011 EN61000-6-2 EN61800-3
	Low voltage directive	EN61800-5-1
	Machinery Directives Functional safety	EN954-1 (Cat. 3) ISO13849-1 (PL d) EN61508 (SIL 2) EN62061 (SIL 2) EN61800-5-2 (STO) IEC61326-3-1 (SIL 2)
UL standard		UL508C (File No. E164620)
CSA standard		C22. 2 No. 14

- IEC : International Electrotechnical Commission
 EN : Europaischen Norman
 EMC : Electromagnetic Compatibility
 UL : Under writers Laboratoris
 CSA : Canadian Standards Association
 ISO : International Organization for Standardization

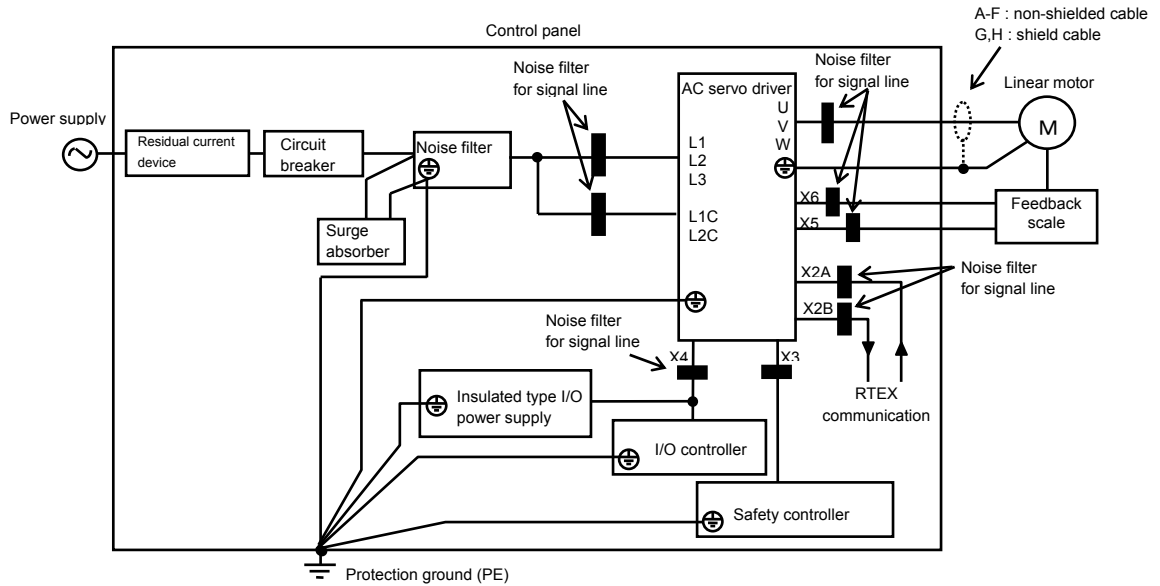
9-2 Peripheral Device Configuration

9-2-1 Installation Environment

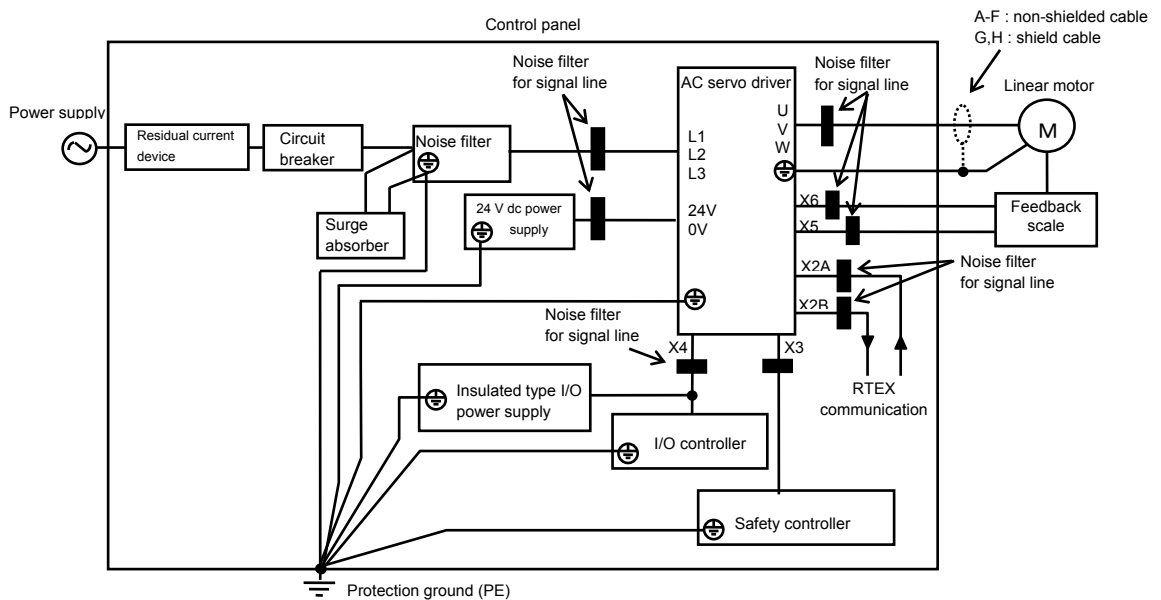
Use the servo driver under the environment of pollution level 2 or 1 defined in IEC60664-1.

(Example: Installed in the IP54 control panel.)

- 100 V/200 V system



- 400 V system



9-2-2 Power Supply

100 V system: Single phase 100 V – 120 V $\begin{matrix} +10\% \\ -15\% \end{matrix}$ 50/60 Hz

200 V system (Sizes A–D): Single/ 3 phase 200 V – 240 V $\begin{matrix} +10\% \\ -15\% \end{matrix}$ 50/60 Hz


200 V system (Sizes E–H): 3 phase 200 V – 230 V $\begin{matrix} +10\% \\ -15\% \end{matrix}$ 50/60 Hz

400 V system (Sizes D–H): 3 phase 380 V – 480 V $\begin{matrix} +10\% \\ -15\% \end{matrix}$ 50/60 Hz

Control power supply 24 V dc +/- 15%

- (1) Use it under the environment of overvoltage category II defined in IEC60664-1.
- (2) As for the interface power supply, use the CE marking conforming product or the 12–24 VDC power supply of insulation type compliant with EN standard (EN60950).

9-2-3 Circuit Breaker

Make sure to connect a circuit breaker compliant with IEC standard and UL certification (marked with LISTED, ) between the power supply and the noise filter.

9-2-4 Noise Filter

To install one noise filter as a whole in the power unit when multiple servo drivers are used, consult the noise filter manufacturer.

9-2-5 Surge Absorber

Install the surge absorber in the primary side of the noise filter.

Please!

To carry out a pressure test of equipment and devices, make sure to detach the surge absorber.



Otherwise, the surge absorber can be damaged.

9-2-6 Noise Filter for Signal Line









Install the noise filters for signal lines in all cables (power supply, motor, encoder, and interface cables).

For size D, install three noise filters in the power supply cable.

9-2-7 Grounding

- (1) In order to avoid an electric shock, make sure to connect a protection ground terminal () of the servo driver and the protection ground (PE) of the control panel.
- (2) Do not tighten the connection to the ground terminal () along with other parts. The servo driver has two ground terminals.

9-3 List of Peripheral Devices Applicable to Servo Driver

Driver	Voltage	Circuit breaker (Rated current)	Noise filter	Surge absorber	Noise filter for signal	Rated operating current of magnetic (contactor contact configuration)	Diameter and withstand voltage of main circuit cable	Crimp terminal for main circuit terminal block	Diameter and withstand voltage of control power supply cable	Crimp terminal for control power supply terminal block	Diameter and withstand voltage of motor cable	Diameter and withstand voltage of brake cable
MADH	1-phase 100V	10A	DVP0P4170	DV0P4190	DV0P1460	20A (3P+1a)	0.75mm ² / AWG18 600Vac or more	Connection to exclusive connector	0.75mm ² / AWG18 600Vac or more	Connection to exclusive connector	2.0mm ² / AWG14 600Vac or more	0.75mm ² / AWG18 600Vac or more
	1/3-phase 200V		DV0P4170 (for 1-phase)/ DV0PM20042 (for 3-phase)	DV0P4190 (for 1-phase)/ DV0P1450 (for 3-phase)								
MBDH	1-phase 100V	10A	DV0P4170	DV0P4190	DV0P1460	20A (3P+1a)	0.75mm ² / AWG18 600Vac or more	Connection to exclusive connector	0.75mm ² / AWG18 600Vac or more	Connection to exclusive connector	2.0mm ² / AWG14 600Vac or more	0.75mm ² / AWG18 600Vac or more
	1/3-phase 200V		DV0P4170 (for 1-phase)/ DV0PM20042 (for 3-phase)	DV0P4190 (for 1-phase)/ DV0P1450 (for 3-phase)								
MCDH	1-phase 100V	15A	DV0PM20042	DV0P4190	DV0P1460	20A (3P+1a)	2.0mm ² / AWG14 600Vac or more	Connection to exclusive connector	0.52mm ² / AWG20 100Vac or more	Connection to exclusive connector	2.0mm ² / AWG14 600Vac or more	0.75mm ² / AWG18 600Vac or more
	1/3-phase 200V			DV0P4190 (for 1-phase)/ DV0P1450 (for 3-phase)								
MDDH	1/3-phase 200V	20A	DV0P4220	DV0PM20050	DV0P1460	30A (3P+1a)	2.0mm ² / AWG14 600Vac or more	Connection to exclusive connector	0.52mm ² / AWG20 100Vac or more	Connection to exclusive connector	2.0mm ² / AWG14 600Vac or more	0.75mm ² / AWG18 600Vac or more
	3-phase 400V	10A	FN258L-16-07 (Recommended component)			20A (3P+1a)						
MEDH	3-phase 200V	30A	DV0PM20043	DV0P1450	DV0P1460 RJ8035 (Recommended component)	60A (3P+1a)	2.0mm ² / AWG14 600Vac or more	Connection to exclusive connector	0.75mm ² / AWG18 600Vac or more	Connection to exclusive connector	2.0mm ² / AWG14 600Vac or more	0.75mm ² / AWG18 600Vac or more
	3-phase 400V	15A	FN258L-16-07 (Recommended component)	DV0PM20050	DV0P1460	30A (3P+1a)			0.52mm ² / AWG20 100Vac or more			
MFDH	3-phase 200V	50A	DV0P3410	DV0P1450	DV0P1460 RJ8035 (Recommended component)	100A (3P+1a)	3.5mm ² / AWG12 600Vac or more	 Terminal block M5	0.75mm ² / AWG18 600Vac or more	 Terminal block M5	3.5mm ² / AWG12 600Vac or more	0.75mm ² / AWG18 600Vac or more
	3-phase 400V	30A	FN258L-30-07 (Recommended component)	DV0PM20050	DV0P1460	60A (3P+1a)	3.5mm ² / AWG12 600Vac or more	 Terminal block M4	0.75mm ² / AWG18 100Vac or more	 Terminal block M3	3.5mm ² / AWG12 600Vac or more	0.75mm ² / AWG18 600Vac or more
MGDH	3-phase 200V	60A	FS5559-60-34 (Recommended component)	DV0P1450	DV0P1460 RJ8095 (Recommended component)	100A (3P+1a)	5.3mm ² / AWG10 600Vac or more	 Terminal block M5	0.75mm ² / AWG18 600Vac or more	 Terminal block M5	13.3mm ² / AWG6 600Vac or more	0.75mm ² / AWG18 600Vac or more
	3-phase 400V	30A	FN258-42-07 or FN258-42-33 (Recommended component)	DV0PM20050		60A (3P+1a)			0.75mm ² / AWG18 100Vac or more			
MHDH	3-phase 200V	125A	FS5559-80-34 (Recommended component)	DV0P1450	DV0P1460 T400-61D (Recommended component)	150A (3P+1a)	13.3mm ² / AWG6 600Vac or more	 Terminal block M6	0.75mm ² / AWG18 600Vac or more	 Terminal block M4	21.1mm ² / AWG4 600Vac or more	0.75mm ² / AWG18 100Vac or more
	3-phase 400V	60A	FN258-42-07 or FN258-42-33 (Recommended component)	DV0PM20050		100A (3P+1a)						

- Select the specification common to single/3 phase 200 V according to the power supply.
- To become compliant with European EC directive, make sure to connect a circuit breaker compliant with IEC standard and UL certification (marked with LISTED) between the power supply and the noise filter.

Please!

- Select a circuit breaker and a noise filter with the capacity comparable to the power capacity (by taking into account the load condition).
- Terminal block and earth terminal

For wiring, use the copper conductor cable of the temperature rating 75 deg. Celsius or more.

- Tightening torque view (Terminal block and terminal cover)

Driver		Terminal screw		Terminal cover fixing screw	
Frame	Terminal Symbol	Nominal designation	Tightening torque (Nm)	Nominal designation	Tightening torque (Nm)
F 200 V	L1,L2,L3,L1C,L2C,B1,B2,B3,NC,U,V,W	M5	1.0-1.7	M3	0.19-0.21
F 400 V	24V,0V	M3	0.4-0.6		
	L1,L2,L3,B1,B2,B3,NC,U,V,W	M4	0.7-1.0		
G	L1C,L2C,24V,0V,DB1,DB2,DB3,DB4,NC	M5	1.0-1.7	M3	0.3-0.5
	L1,L2,L3,B1,B2,NC,U,V,W	M5	2.0-2.4		
H	L1C,L2C,24V,0V,DB1,DB2	M4	0.7-1.0	M5	2.0-2.5
	L1,L2,L3,B1,B2,NC,U,V,W	M6	2.2-2.5		

- Tightening torque view (Earth terminal and I/O connector X4)

Driver		Earth terminal		I/O connector X4	
Frame		Nominal designation	Tightening torque (Nm)	Nominal designation	Tightening torque (Nm)
A-E		M4	0.7-0.8	M2.6	0.3-0.35
F,G		M5	1.4-1.6		
H		M6	2.4-2.6		

- The terminal block can be damaged if the screw tightening torque exceeds the maximum value.
- For the earth wire dia. and dynamic brake resistor wire dia., use more than the motor wire diameter.
- For Sizes A–E, use the dedicated connector which came with the product.

In this case, the stripped cable length should be 8–9 mm.

	Optional Part Number	Part Number of Manufacturer	Manufacturer
Surge absorber	DV0P1450	R•A•V-781BXZ-4	Okaya Electric Industries
	DV0P4190	R•A•V-781BWZ-4	
	DV0PM20050	R•A•V-801BXZ-4	
Noise filter for signal line	DV0P1460	ZCAT3035-1330	TDK
	—	RJ8035	Konno Kogyousho
	—	RJ8095	
	—	T400-61D	MICROMETALS
Noise filter	DV0P4170	SUP-EK5-ER-6	Okaya Electric Industries
	DV0P4180	3SUP-HQ10-ER-6	
	DV0P4220	3SUP-HU30-ER-6	
	DV0P3410	3SUP-HL50-ER-6B	
	DV0PM20042	3SUP-HU10-ER-6	
	DV0PM20043	3SUP-HU50-ER-6	
	—	FN258L-16-07(29)	Schaffner
	—	FN258L-30-07(33)	
	—	FS5559-60-34	
	—	FS5559-80-34	
—	FN258-42-07(33)		

9-4 Compliance with UL Standard

Certified by the UL508C (file No. E164620) standard by observing the installation conditions [1], [2] below.

[1] Use the servo driver under the environment of pollution level 2 or 1 defined in IEC60664-1. (Example: Installed in the IP54 control panel.)

[2] Make sure to connect a circuit breaker or fuse compliant with UL certification (marked with LISTED, UL) between the power supply and the noise filter.

For information about rated current of the circuit breaker/ fuse, refer to “9-3 List of Peripheral Devices Applicable to Servo Driver”.

For wiring, use the copper conductor cable of the temperature rating 60 deg. Celsius or more.

The terminal block can be damaged if the screw tightening torque exceeds the maximum value (M4: 1.2 N•m, M5: 2.0 N•m.).

[3] Overload protection level

The overload protection function of the servo driver works when the effective current will be 115% or more of the rated current based on the time property. Check that effective current of the servo driver does not exceed the rated current by monitoring the load factor using PANATERM or by other methods. Set up the maximum instantaneous allowable current at the Pr 0.13 (first torque limit) and Pr 5.22 (second torque limit).

[4] The servo driver will comply with UL in the power supply environment of 5,000 Arms or lower.

[5] Motor over-load-temperature protection shall be provided at the final installation upon required by the NEC (National Electric Code).

10. Compliance with SEMI F47 Instantaneous Stop Standard

- This function corresponds to the F47 power supply instantaneous stop standard in the SEMI standard during no/ light load condition.
- Useful when used in the semiconductor manufacturing equipment.

Warning:

[1] Not applicable to the servo driver which has a single phase 100 V specification and a 24 VDC specification for control power input.

[2] Make sure to evaluate and confirm the compliance with F47 power supply instantaneous stop standard with an actual device.

11. Compliance with KC mark

Conformity of Korea Certification mark is registered by suiting EMC directive.

Registration No. KCC-REM-FAN-M-D



SAFETY PRECAUTIONS

12. Safety Precautions

- Danger and damage caused when the safety precautions are ignored are described in the following categories and signs:

DANGER	Description of this sign indicates “urgent danger that may cause death or serious injury.”
CAUTION	Description of this sign indicates “danger that may cause injury or property damage.”

- Rules to keep are categorized and described with the following graphics.

	This graphic indicates “Prohibited” acts that are not permitted.
	This graphic indicates “Mandatory” acts that must be performed forcibly.



DANGER



- (1) Be sure not to store or use the equipment under conditions subjected to vibrations (5.88 m/s² or heavier) or an impact shock, foreign matters such as dust, metal particles oil mist, liquids such as water, oil and polishing liquid, near flammable objects, in an atmosphere of corrosive gas (such as H₂S, SO₂, NO₂, Cl₂), or in an atmosphere of flammable gas.
- (2) Do not place any flammable objects near a motor, a servo driver, or a regenerative resistor.
- (3) Do not drive the motor with an external force.
- (4) Do not damage or strain the cable, or do not apply excessive stress. Do not place a heavy item on the cable or do not pinch the cable.
- (5) Do not use the equipment with the cable soaked in oil or water.
- (6) Do not install the equipment near a heating object such as a heater or a large wire-wound resistor. (Install a thermal shield, etc. to avoid the influences of heating object.)
- (7) Do not use the equipment under conditions subject to strong vibrations or an impact shock.
- (8) Be sure not to touch a rotating part of a motor during operation.
- (9) Be sure not to touch inside a servo driver.
- (10) Motor servo driver heat sink and peripheral device become very hot. Do not touch them.
- (11) Do not carry out wiring or do not operate the equipment with wet hands.
- (12) Wiring work is strictly allowed only for an engineer specializing electrical work.



SAFETY PRECAUTIONS



- (13) A motor other than specified is not provided with a protection device. Protect a motor with an overcurrent protection device, a ground-fault interrupter, overheating protection device, and emergency stop device, etc.
- (14) When operating the servo driver after an earthquake, inspect installation conditions of the servo driver and the motor and safety of the equipment to make sure that no fault exists.
- (15) After turning off the power, the inside circuit remains charged at a high voltage for a while. When moving, wiring or inspection the equipment, completely shut off the power supply input outside the servo driver and leave for 15 minutes or longer before working.
- (16) Install and mount the equipment securely to prevent personal injury caused by poor installation or mounting on an earthquake.
- (17) Install an external emergency shutoff circuit to stop operation and interrupt power immediately upon emergency.
Emission of smoke or dust may occur due to a fault of a motor or a servo driver used in combination. For example, if the system is energized with the regenerative control power transistor shorted by failure, overheating of a regenerative resistor installed outside the servo driver may occur and it may emit smoke and dust. If a regenerative resistor is connected outside a servo driver, provide a means of detecting overheating such as a thermal protector to shut off power upon detecting abnormal heating.
- (18) Mount the motor, the servo driver and the peripheral devices on a noncombustible material such as metal.
- (19) Provide correct and secure wiring. Insecure wiring or incorrect wiring may cause runaway or burning of a motor. During wiring work, avoid entry of conductive dust such as wire chippings in a servo driver.
- (20) Connect cables securely and provide secure insulation on current-carrying parts using insulation material.
- (21) Be sure to install a fuseless breaker in a power supply. Be sure to connect grounding terminals and grounding wires.
To prevent an electric shock and malfunction, Class D grounding (grounding resistance at 100 Ω or lower) or higher grade is recommended.



CAUTION



- (22) Do not adjust or change servo driver gains extremely, and do not make operations of the machine instable.
- (23) The equipment may suddenly restart after recovery from shutdown upon a power failure. Keep away from the equipment.
Specify settings of the equipment to secure safety for human against such restart operations.
- (24) When the equipment is energized, keep away from the motor and mechanism driven by the motor in case of malfunction.
- (25) Avoid a strong shock to the product.
- (26) Be sure not to use the electromagnetic contactor installed on the main power supply to start or stop the motor.
- (27) Avoid frequent switching on and off the main power supply of the servo driver.



SAFETY PRECAUTIONS



- (28) Do not fall or topple over the equipment when carrying or installing.
- (29) Do not block radiation slits of the servo driver and do not put a foreign matter into the servo driver.
- (30) Do not use the equipment under direct sunlight. When storing the equipment, avoid direct sunlight and store under conditions of operating temperatures and humidity.
- (31) Be sure not to disassemble or modify the equipment.
Disassembling and repair is allowed only for the manufacturer or sales agency authorized by the manufacturer.



- (32) Use a motor and a servo driver in combination specified by the manufacturer. A customer shall be responsible for verifying performances and safety of combination with other servo driver.
- (33) A failure of a motor or a combined servo driver may cause burning of motor, or emission of smoke and dust. Take this into consideration when the application of the machine is clean room related.
- (34) Install the equipment adequately in consideration of output and main unit weight.
- (35) Keep the ambient conditions of an installed motor within a range of allowable ambient temperatures and of allowable humidity.
- (36) Install the equipment by specified procedures and in specified orientation.
- (37) Install the devices by keeping specified distances between a servo driver and inside control panel or other devices.
- (38) For a test run, hold down a motor and disconnect from a mechanical system to verify operations before installing on the equipment.
(A motor must run smoothly at 30 r/min driven with a servo driver.)
- (39) Verify that an input power supply voltage satisfies the servo driver specifications before turning on the power and start operation.
An input voltage higher than rated may cause ignition and smoking in the servo driver, which may cause runaway or burning of a motor in some cases.
- (40) When an alarm status occurs, remove a cause of the problem before restarting.
Careless restarting without removing a cause of problem may cause malfunction or burning of a motor.
- (41) The linear motor may not be able to hold due to expiring useful life or a mechanical structure. Install a braking device on the equipment to secure safety.
- (42) Pay attention to heat radiation. The servo driver generates heat by operating a motor. A servo driver used in a sealed control box may cause an extreme rise of temperature.
Consider cooling so that an ambient temperature around the servo driver satisfies an operating range.
- (43) Maintenance and inspection is allowed only for a specializing person.
- (44) Turn off the power when the equipment is not used for a long term.

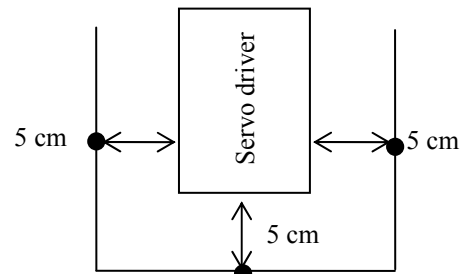
- Capacitance of the capacitors of power supply rectifier circuit drops over time. To avoid a secondary problem due to a failure, replacement of capacitors is recommended at an interval of approximately 5 years. Commission the manufacturer or sales agency authorized by the manufacturer to replace the parts.
- Be sure to read the operating manual (safety book) before use.



SAFETY PRECAUTIONS

Servo driver's ambient temperature

The driver's service life significantly depends on the ambient temperature.
Make sure that the servo driver's ambient temperature (at 5 cm distant from the servo driver) does not exceed the operating temperature range.



Operating temperature range: 0 to 55°C

Attention in the case of changing carrier frequency

- If carrier frequency is turned up, a current response may improve, and there may have an effect on temperature and noise of a motor, but the rise in temperature of the driver increases.

When you change carrier frequency, have a margin after fully confirming the temperature of the driver and the motor in the system.

Attention about installation

- Reserve enough surrounding space for effective cooling.
- Install fans to provide uniform distribution of temperature in the control panel.
- D - H frame is provided with a cooling fan at the bottom. (On the H-frame, the cooling fan is also installed on the upper side.)
- Observe the environmental conditions of the control panel described in the previous page.
- It is recommended to use the conductive paint when you make your own mounting bracket, or repaint after peeling off the paint on the machine for installing the products, in order to make noise countermeasure.

We have made the best efforts to ensure quality of this product. However, application of external noise (include radiation) or static electricity, or a defect of the input power supply, wiring or components may cause the servo driver to operate beyond the preset conditions. Therefore, you should exercise thorough caution to ensure safety against an unexpected operation.

14. Others

- Precautions for export of this product and the equipment incorporating this product
If the end user or end purpose of this product relates to military affairs, armament and so on, this product may be subject to the export regulations prescribed in “Foreign Exchange and Foreign Trade Control Law”. To export this product, take thorough examination, and follow the required export procedure.
- We cannot warrant this product, if it is used beyond the specified operating conditions.
- Compliance with the relevant standards should be considered by the user.
- The final decision on the compatibility with the installations and components at the user’s site, in terms of structure, dimensions, characteristics and other conditions, should be made by the user.
- When using this product in your equipment, be careful about the compatibility with the servo motor and the servo driver to be used together.
- For performance improvement or other reasons, some components of this product may be modified in a range that satisfies the specifications given in this document.
- Any specification change shall be based on our authorized specifications or the documents presented by the user. If a specification change may affect the functions and characteristics of this product, we will produce a trial product, and conduct examination in advance.
Note that the produce price may be changed with a change in its specifications.
- We have made the best efforts to ensure the product quality. However, complete equipment at customer’s site may malfunction due to a failure of this product. Therefore, take precautions by providing fail-safe design at customer’s site, and ensure safety within the operating range of the work place.
- Failure of this product depending on its content, may generate smoke of about one cigarette.
Take this into consideration when the application of the machine is clean room related.
- When the equipment runs without connecting the servomotor’s shaft electrically to ground, electrolytic corrosion may occur on the motor bearing and the bearing noise may get louder depending on the equipment and installing environment. So, customer is responsible to check and verify it.
- A customer must verify and inspect the equipment. Please be careful when using in an environment with high concentrations of sulphur or sulphuric gases, as sulphuration can lead to disconnection from the chip resistor or a poor contact connection.
- Take care to avoid inputting a supply voltage which significantly exceeds the rated range to the power supply of this product. Failure to heed this caution may result in damage to the internal parts, causing smoking and/or a fire and other trouble.
- When discarding the equipment, process the item as an industrial waste.
- Carry out matching of a linear motor and servo driver and the checking of safety in the responsibility of your company.

【Exemption clause regarding with distribution of drive specified on this spec.】

- Product responsibility will be owned by the publisher of this specification regarding with the drive on this specification, when product had been supplied to the party which agreed to this specification
- Product responsibility will not be owned by the publisher of this specification when product had gone through the channel or end user which had not conducted the specification agreement.
- Publisher recommends that the drive is to be supplied with the motor manufacture with its motor, based on this specification being agreed with the motor manufacture.
- Specification is to be agreed with the machine manufacture, when the machine manufacture intends to procure the drive and motor separately.
- When in case the agreement of this specification becomes difficult, then we will supply the drive based on the responsibility of the distributor who has agreed to this specification.
- This specification does not assure the operation of the motor matched to the drive specified by this specification. Publisher does not confirm the matching of the motor to drive, and therefore please take extra care in confirming the matching to the motor by equipment manufacture, distributor, or motor manufacture.
- When an unexpected trouble occurs at the matching of motor, distributor, motor manufacture, and machine manufacture is to correspond the trouble in good faith. in good faith

Specification for Each Model

- MINAS-A5NL Series
- Size A 100 V and 200 V

Model	MADHT1105NL1	MADHT1107NL1	MADHT1505NL1	MADHT1507NL1
Power supply input	Single phase 100 V	Single phase 100 V	Single phase/ 3 phase 200 V	Single phase/ 3 phase 200 V
Maximum instantaneous output current	10 A	10 A	10 A	10 A
Maximum continuous output current	5 A	7.5 A	5 A	7.5 A
Regenerative discharge resistor	Externally connected	Externally connected	Externally connected	Externally connected
Auto gain tuning function	Provided	Provided	Provided	Provided
Dynamic brake function	Provided	Provided	Provided	Provided
Safety function	Unprovided	Unprovided	Unprovided	Unprovided
Ambient temperature	0–55°C	0–55°C	0–55°C	0–55°C
Control power supply cable	HVSF 0.75mm ²	HVSF 0.75mm ²	HVSF 0.75mm ²	HVSF 0.75mm ²
	AWG18	AWG18	AWG18	AWG18
Main power supply cable	HVSF 0.75–2.0 mm ²	HVSF 0.75–2.0 mm ²	HVSF 0.75–2.0 mm ²	HVSF 0.75–2.0 mm ²
	AWG14–18	AWG14–18	AWG14–18	AWG14–18
Ground cable	HVSF 2.0 mm ²	HVSF 2.0 mm ²	HVSF 2.0 mm ²	HVSF 2.0 mm ²
	AWG14	AWG14	AWG14	AWG14
Motor cable	HVSF 0.75–2.0 mm ²	HVSF 0.75–2.0 mm ²	HVSF 0.75–2.0 mm ²	HVSF 0.75–2.0 mm ²
	AWG14–18	AWG14–18	AWG14–18	AWG14–18
Inrush Current (Main Power Supply) *1	Max. 7 A	Max. 7 A	Max. 14 A	Max. 14 A
Inrush Current (Control Power Supply) *1	Max. 14 A	Max. 14 A	Max. 28 A	Max. 28 A
Weight	Approx. 0.8 kg	Approx. 0.8 kg	Approx. 0.8 kg	Approx. 0.8 kg
Dimensions	Size A	Size A	Size A	Size A

*1 Current values were calculated on the basis of the power supply input described above, assuming a voltage of 100 V or 200 V.

- MINAS-A5NL Series
- Size B 100 V and 200 V

Model	MBDHT2110NL1	MBDHT2510NL1
Power supply input	Single phase 100 V	Single phase/ 3 phase 200 V
Maximum instantaneous output current	15 A	15 A
Maximum continuous output current	10 A	10 A
Regenerative discharge resistor	Externally connected	Externally connected
Auto gain tuning function	Provided	Provided
Dynamic brake function	Provided	Provided
Safety function	Unprovided	Unprovided
Ambient temperature	0–55°C	0–55°C
Control power supply cable	HVSF 0.75mm ²	HVSF 0.75mm ²
	AWG18	AWG18
Main power supply cable	HVSF 0.75–2.0 mm ²	HVSF 0.75–2.0 mm ²
	AWG14–18	AWG14–18
Ground cable	HVSF 2.0 mm ²	HVSF 2.0 mm ²
	AWG14	AWG14
Motor cable	HVSF 0.75–2.0 mm ²	HVSF 0.75–2.0 mm ²
	AWG14–18	AWG14–18
Inrush current (Main power supply) *1	Max. 7 A	Max. 14 A
Inrush current (Control power supply) *1	Max. 14 A	Max. 28 A
Weight	Approx. 1.0 kg	Approx. 1.0 kg
Dimensions	Size B	Size B

*1 Current values were calculated on the basis of the power supply input described above, assuming a voltage of 100 V or 200 V.

- MINAS-A5NL Series
- Size C 100 V and 200 V

Model	MCDHT3120NL1	MCDHT3520NL1
Power supply input	Single phase 100 V	Single phase/ 3 phase 200 V
Maximum instantaneous output current	30 A	30 A
Maximum continuous output current	20 A	20 A
Regenerative discharge resistor	Built-in	Built-in
Auto gain tuning function	Provided	Provided
Dynamic brake function	Provided	Provided
Safety function	Unprovided	Unprovided
Ambient temperature	0–55°C	0–55°C
Control power supply cable	HVSF 0.75mm ²	HVSF 0.75mm ²
	AWG18	AWG18
Main power supply cable	HVSF 0.75–2.0 mm ²	HVSF 0.75–2.0 mm ²
	AWG14–18	AWG14–18
Ground cable	HVSF 2.0 mm ²	HVSF 2.0 mm ²
	AWG14	AWG14
Motor cable	HVSF 0.75–2.0 mm ²	HVSF 0.75–2.0 mm ²
	AWG14–18	AWG14–18
Inrush current (Main power supply) *1	Max. 15 A	Max. 29 A
Inrush current (Control power supply) *1	Max. 14 A	Max. 28 A
Weight	Approx.1.6 kg	Approx.1.6 kg
Dimensions	Size C	Size C

*1 Current values were calculated on the basis of the power supply input described above, assuming a voltage of 100 V or 200 V.

● MINAS-A5NL Series
 • Size D 200 V and 400 V

Model	MDDHT3530NL1	MDDHT5540NL1	MDDHT2407NL1	MDDHT2412NL1	MDDHT3420NL1
Power supply input	Single phase/ 3 phase 200 V	Single phase/ 3 phase 200 V	3 phase 400 V	3 phase 400 V	3 phase 400 V
Max. instantaneous output current	50 A	50 A	15 A	15 A	30 A
Max. continuous output current	30 A	40 A	7.5 A	12 A	20 A
Regenerative discharge resistor	Built-in	Built-in	Built-in	Built-in	Built-in
Auto gain tuning function	Provided	Provided	Provided	Provided	Provided
Dynamic brake function	Provided	Provided	Provided	Provided	Provided
Safety function	Unprovided	Unprovided	Unprovided	Unprovided	Unprovided
Ambient temperature	0–55°C	0–55°C	0–55°C	0–55°C	0–55°C
Control power supply cable	HVSF 0.75mm ²	HVSF 0.75mm ²	HVSF 0.5mm ²	HVSF 0.5mm ²	HVSF 0.5mm ²
	AWG18	AWG18	AWG20	AWG20	AWG20
Main power supply cable	HVSF 2.0 mm ²	HVSF 2.0 mm ²	HVSF 2.0 mm ²	HVSF 2.0 mm ²	HVSF 2.0 mm ²
	AWG14	AWG14	AWG14	AWG14	AWG14
Ground cable	HVSF 2.0 mm ²	HVSF 2.0 mm ²	HVSF 2.0 mm ²	HVSF 2.0 mm ²	HVSF 2.0 mm ²
	AWG14	AWG14	AWG14	AWG14	AWG14
Motor cable	HVSF 2.0 mm ²	HVSF 2.0 mm ²	HVSF 2.0 mm ²	HVSF 2.0 mm ²	HVSF 2.0 mm ²
	AWG14	AWG14	AWG14	AWG14	AWG14
Inrush current (Main power supply) *1	Max. 29 A	Max. 29 A	Max. 28 A	Max. 28 A	Max. 28 A
Inrush current (Control power supply) *1	Max. 28 A	Max. 28 A	Max. 48 A	Max. 48 A	Max. 48 A
Weight	Approx. 1.8 kg	Approx. 1.8 kg	Approx. 1.9 kg	Approx. 1.9 kg	Approx. 1.9 kg
Dimensions	Size D	Size D	Size D	Size D	Size D

*1 Current values were calculated on the basis of the power supply input described above, assuming a voltage of 200 V, 400 V or 24 V dc.

- MINAS-A5NL Series
 - Size E 200 V and 400 V

Model	MEDHT7364NL1	MEDHT4430NL1
Power supply input	3 phase 200 V	3 phase 400 V
Maximum instantaneous output current	75 A	35 A
Maximum continuous output current	64 A	30 A
Regenerative discharge resistor	Built-in	Built-in
Auto gain tuning function	Provided	Provided
Dynamic brake function	Provided	Provided
Safety function	Unprovided	Unprovided
Ambient temperature	0–55°C	0–55°C
Control power supply cable	HVSF 0.75mm ²	HVSF 0.5mm ²
	AWG18	AWG20
Main power supply cable	HVSF 2.0 mm ²	HVSF 2.0 mm ²
	AWG14	AWG14
Ground cable	HVSF 3.5 mm ²	HVSF 2.0 mm ²
	AWG12	AWG14
Motor cable	HVSF 2.0 mm ²	HVSF 2.0 mm ²
	AWG14	AWG14
Inrush current (Main power supply) *1	Max. 29 A	Max. 32 A
Inrush current (Control power supply) *1	Max. 14 A	Max. 48 A
Weight	Approx. 2.7 kg	Approx. 2.7 kg
Dimensions	Size E	Size E

*1 Current values were calculated on the basis of the power supply input described above, assuming a voltage of 200 V, 400 V or 24 V dc.

- MINAS-A5NL Series
- Size F 200 V and 400 V

Model	MFDHTA390NL1	MFDHTB3A2NL1	MFDHT5440NL1	MFDHTA464NL1
Power supply input	3 phase 200 V	3 phase 200 V	3 phase 400 V	3 phase 400 V
Maximum instantaneous output current	100 A	150 A	50 A	100 A
Maximum continuous output current	90 A	120 A	40 A	64 A
Regenerative discharge resistor	Built-in	Built-in	Built-in	Built-in
Auto gain tuning function	Provided	Provided	Provided	Provided
Dynamic brake function	Provided	Provided	Provided	Provided
Safety function	Unprovided	Unprovided	Unprovided	Unprovided
Ambient temperature	0–55°C	0–55°C	0–55°C	0–55°C
Control power supply cable	HVSF 0.75mm ²	HVSF 0.75mm ²	HVSF 0.75mm ²	HVSF 0.75mm ²
	AWG18	AWG18	AWG18	AWG18
Main power supply cable	HVSF 3.5 mm ²	HVSF 3.5 mm ²	HVSF 3.5 mm ²	HVSF 3.5 mm ²
	AWG12	AWG12	AWG12	AWG12
Ground cable	HVSF 3.5 mm ²	HVSF 3.5 mm ²	HVSF 3.5 mm ²	HVSF 3.5 mm ²
	AWG12	AWG12	AWG12	AWG12
Motor cable	HVSF 3.5 mm ²	HVSF 3.5 mm ²	HVSF 3.5 mm ²	HVSF 3.5 mm ²
	AWG12	AWG12	AWG12	AWG12
Inrush current (Main power supply) *1	Max. 22 A	Max. 22 A	Max. 32 A	Max. 32 A
Inrush current (Control power supply) *1	Max. 14 A	Max. 14 A	Max. 48 A	Max. 48 A
Weight	Approx. 4.8 kg	Approx. 4.8 kg	Approx. 4.7 kg	Approx. 4.7 kg
Dimensions	Size F	Size F	Size F	Size F

*1 Current values were calculated on the basis of the power supply input described above, assuming a voltage of 200 V, 400 V or 24 V dc.

● MINAS-A5NL Series

- Sizes G/H 200 V and 400 V

Model	MGDHTC3B4NL1	MGDHTB4A2NL1	MHDHTC3B4NL1	MHDHTB4A2NL1
Power supply input	3 phase 200 V	3 phase 400 V	3 phase 200 V	3 phase 400 V
Maximum instantaneous output current	300 A	150 A	300 A	150 A
Maximum continuous output current	240 A	120 A	240 A	120 A
Regenerative discharge resistor	Externally connected	Externally connected	Externally connected	Externally connected
Auto gain tuning function	Provided	Provided	Provided	Provided
Dynamic brake function	Provided	Provided	Provided	Provided
Safety function	Unprovided	Unprovided	Unprovided	Unprovided
Ambient temperature	0–55°C	0–55°C	0–55°C	0–55°C
Control power cable	HVSF 0.75 mm ²	HVSF 0.75mm ²	HVSF 0.75 mm ²	HVSF 0.75 mm ²
	AWG18	AWG18	AWG18	AWG18
Main power supply cable	HVSF 5.3 mm ²	HVSF 5.3mm ²	HVSF 13.3 mm ²	HVSF 13.3 mm ²
	AWG10	AWG10	AWG6	AWG6
Ground cable	HVSF 13.3 mm ²	HVSF 13.3 mm ²	HVSF 21.1 mm ²	HVSF 21.1 mm ²
	AWG6	AWG6	AWG4	AWG4
Motor cable	HVSF 13.3 mm ²	HVSF 13.3 mm ²	HVSF 21.1 mm ²	HVSF 21.1 mm ²
	AWG6	AWG6	AWG4	AWG4
Inrush current (Main power supply) *1	Max. 66 A	Max. 32 A	Max. 66 A	Max. 32 A
Inrush current (Control power supply) *1	Max. 15 A	Max. 48 A	Max. 15 A	Max. 48 A
Weight	Approx. 13.5 kg	Approx. 13.5 kg	Approx. 21 kg	Approx. 21 kg
Dimensions	Size G	Size G	Size H	Size H

*1 Current values were calculated on the basis of the power supply input described above, assuming a voltage of 200 V, 400V and 24 V dc.

- MINAS-A5N9 Series
- Size A 100 V and 200 V

Model	MADHT1105N91	MADHT1107N91	MADHT1505N91	MADHT1507N91
Power supply input	Single phase 100 V	Single phase 100 V	Single phase/ 3 phase 200 V	Single phase/ 3 phase 200 V
Maximum instantaneous output current	10 A	10 A	10 A	10 A
Maximum continuous output current	5 A	7.5 A	5 A	7.5 A
Regenerative discharge resistor	Externally connected	Externally connected	Externally connected	Externally connected
Auto gain tuning function	Provided	Provided	Provided	Provided
Dynamic brake function	Provided	Provided	Provided	Provided
Safety function	Provided	Provided	Provided	Provided
Ambient temperature	0–55°C	0–55°C	0–55°C	0–55°C
Control power supply cable	HVSF 0.75mm ²	HVSF 0.75mm ²	HVSF 0.75mm ²	HVSF 0.75mm ²
	AWG18	AWG18	AWG18	AWG18
Main power supply cable	HVSF 0.75–2.0 mm ²	HVSF 0.75–2.0 mm ²	HVSF 0.75–2.0 mm ²	HVSF 0.75–2.0 mm ²
	AWG14–18	AWG14–18	AWG14–18	AWG14–18
Ground cable	HVSF 2.0 mm ²	HVSF 2.0 mm ²	HVSF 2.0 mm ²	HVSF 2.0 mm ²
	AWG14	AWG14	AWG14	AWG14
Motor cable	HVSF 0.75–2.0 mm ²	HVSF 0.75–2.0 mm ²	HVSF 0.75–2.0 mm ²	HVSF 0.75–2.0 mm ²
	AWG14–18	AWG14–18	AWG14–18	AWG14–18
Inrush Current (Main Power Supply) *1	Max. 7 A	Max. 7 A	Max. 14 A	Max. 14 A
Inrush Current (Control Power Supply) *1	Max. 14 A	Max. 14 A	Max. 28 A	Max. 28 A
Weight	Approx. 0.8 kg	Approx. 0.8 kg	Approx. 0.8 kg	Approx. 0.8 kg
Dimensions	Size A	Size A	Size A	Size A

*1 Current values were calculated on the basis of the power supply input described above, assuming a voltage of 100 V or 200 V.

- MINAS-A5N9 Series
 - Size B 100 V and 200 V

Model	MBDHT2110N91	MBDHT2510N91
Power supply input	Single phase 100 V	Single phase/ 3 phase 200 V
Maximum instantaneous output current	15 A	15 A
Maximum continuous output current	10 A	10 A
Regenerative discharge resistor	Externally connected	Externally connected
Auto gain tuning function	Provided	Provided
Dynamic brake function	Provided	Provided
Safety function	Provided	Provided
Ambient temperature	0–55°C	0–55°C
Control power supply cable	HVSF 0.75mm ²	HVSF 0.75mm ²
	AWG18	AWG18
Main power supply cable	HVSF 0.75–2.0 mm ²	HVSF 0.75–2.0 mm ²
	AWG14–18	AWG14–18
Ground cable	HVSF 2.0 mm ²	HVSF 2.0 mm ²
	AWG14	AWG14
Motor cable	HVSF 0.75–2.0 mm ²	HVSF 0.75–2.0 mm ²
	AWG14–18	AWG14–18
Inrush current (Main power supply) *1	Max. 7 A	Max. 14 A
Inrush current (Control power supply) *1	Max. 14 A	Max. 28 A
Weight	Approx. 1.0 kg	Approx. 1.0 kg
Dimensions	Size B	Size B

*1 Current values were calculated on the basis of the power supply input described above, assuming a voltage of 100 V or 200 V.

- MINAS-A5N9 Series
 - Size C 100 V and 200 V

Model	MCDHT3120N91	MCDHT3520N91
Power supply input	Single phase 100 V	Single phase/ 3 phase 200 V
Maximum instantaneous output current	30 A	30 A
Maximum continuous output current	20 A	20 A
Regenerative discharge resistor	Built-in	Built-in
Auto gain tuning function	Provided	Provided
Dynamic brake function	Provided	Provided
Safety function	Provided	Provided
Ambient temperature	0–55°C	0–55°C
Control power supply cable	HVSF 0.75mm ²	HVSF 0.75mm ²
	AWG18	AWG18
Main power supply cable	HVSF 0.75–2.0 mm ²	HVSF 0.75–2.0 mm ²
	AWG14–18	AWG14–18
Ground cable	HVSF 2.0 mm ²	HVSF 2.0 mm ²
	AWG14	AWG14
Motor cable	HVSF 0.75–2.0 mm ²	HVSF 0.75–2.0 mm ²
	AWG14–18	AWG14–18
Inrush current (Main power supply) *1	Max. 15 A	Max. 29 A
Inrush current (Control power supply) *1	Max. 14 A	Max. 28 A
Weight	Approx.1.6 kg	Approx.1.6 kg
Dimensions	Size C	Size C

*1 Current values were calculated on the basis of the power supply input described above, assuming a voltage of 100 V or 200 V.

- MINAS-A5N9 Series
- Size D 200 V and 400 V

Model	MDDHT3530N91	MDDHT5540N91	MDDHT2407N91	MDDHT2412N91	MDDHT3420N91
Power supply input	Single phase/ 3 phase 200 V	Single phase/ 3 phase 200 V	3 phase 400 V	3 phase 400 V	3 phase 400 V
Max. instantaneous output current	50 A	50 A	15 A	15 A	30 A
Max. continuous output current	30 A	40 A	7.5 A	12 A	20 A
Regenerative discharge resistor	Built-in	Built-in	Built-in	Built-in	Built-in
Auto gain tuning function	Provided	Provided	Provided	Provided	Provided
Dynamic brake function	Provided	Provided	Provided	Provided	Provided
Safety function	Provided	Provided	Provided	Provided	Provided
Ambient temperature	0–55°C	0–55°C	0–55°C	0–55°C	0–55°C
Control power supply cable	HVSF 0.75mm ²	HVSF 0.75mm ²	HVSF 0.5mm ²	HVSF 0.5mm ²	HVSF 0.5mm ²
	AWG18	AWG18	AWG20	AWG20	AWG20
Main power supply cable	HVSF 2.0 mm ²	HVSF 2.0 mm ²	HVSF 2.0 mm ²	HVSF 2.0 mm ²	HVSF 2.0 mm ²
	AWG14	AWG14	AWG14	AWG14	AWG14
Ground cable	HVSF 2.0 mm ²	HVSF 2.0 mm ²	HVSF 2.0 mm ²	HVSF 2.0 mm ²	HVSF 2.0 mm ²
	AWG14	AWG14	AWG14	AWG14	AWG14
Motor cable	HVSF 2.0 mm ²	HVSF 2.0 mm ²	HVSF 2.0 mm ²	HVSF 2.0 mm ²	HVSF 2.0 mm ²
	AWG14	AWG14	AWG14	AWG14	AWG14
Inrush current (Main power supply) *1	Max. 29 A	Max. 29 A	Max. 28 A	Max. 28 A	Max. 28 A
Inrush current (Control power supply) *1	Max. 28 A	Max. 28 A	Max. 48 A	Max. 48 A	Max. 48 A
Weight	Approx. 1.8 kg	Approx. 1.8 kg	Approx. 1.9 kg	Approx. 1.9 kg	Approx. 1.9 kg
Dimensions	Size D	Size D	Size D	Size D	Size D

*1 Current values were calculated on the basis of the power supply input described above, assuming a voltage of 200 V, 400 V or 24 V dc.

- MINAS-A5N9 Series
- Size E 200 V and 400 V

Model	MEDHT7364N91	MEDHT4430N91
Power supply input	3 phase 200 V	3 phase 400 V
Maximum instantaneous output current	75 A	35 A
Maximum continuous output current	64 A	30 A
Regenerative discharge resistor	Built-in	Built-in
Auto gain tuning function	Provided	Provided
Dynamic brake function	Provided	Provided
Safety function	Provided	Provided
Ambient temperature	0–55°C	0–55°C
Control power supply cable	HVSF 0.75mm ²	HVSF 0.5mm ²
	AWG18	AWG20
Main power supply cable	HVSF 2.0 mm ²	HVSF 2.0 mm ²
	AWG14	AWG14
Ground cable	HVSF 3.5 mm ²	HVSF 2.0 mm ²
	AWG12	AWG14
Motor cable	HVSF 2.0 mm ²	HVSF 2.0 mm ²
	AWG14	AWG14
Inrush current (Main power supply) *1	Max. 29 A	Max. 32 A
Inrush current (Control power supply) *1	Max. 14 A	Max. 48 A
Weight	Approx. 2.7 kg	Approx. 2.7 kg
Dimensions	Size E	Size E

*1 Current values were calculated on the basis of the power supply input described above, assuming a voltage of 200 V, 400 V or 24 V dc.

● MINAS-A5N9 Series
 • Size F 200 V and 400 V

Model	MFDHTA390N91	MFDHTB3A2N91	MFDHT5440N91	MFDHTA464N91
Power supply input	3 phase 200 V	3 phase 200 V	3 phase 400 V	3 phase 400 V
Maximum instantaneous output current	100 A	150 A	50 A	100 A
Maximum continuous output current	90 A	120 A	40 A	64 A
Regenerative discharge resistor	Built-in	Built-in	Built-in	Built-in
Auto gain tuning function	Provided	Provided	Provided	Provided
Dynamic brake function	Provided	Provided	Provided	Provided
Safety function	Provided	Provided	Provided	Provided
Ambient temperature	0–55°C	0–55°C	0–55°C	0–55°C
Control power supply cable	HVSF 0.75mm ²	HVSF 0.75mm ²	HVSF 0.75mm ²	HVSF 0.75mm ²
	AWG18	AWG18	AWG18	AWG18
Main power supply cable	HVSF 3.5 mm ²	HVSF 3.5 mm ²	HVSF 3.5 mm ²	HVSF 3.5 mm ²
	AWG12	AWG12	AWG12	AWG12
Ground cable	HVSF 3.5 mm ²	HVSF 3.5 mm ²	HVSF 3.5 mm ²	HVSF 3.5 mm ²
	AWG12	AWG12	AWG12	AWG12
Motor cable	HVSF 3.5 mm ²	HVSF 3.5 mm ²	HVSF 3.5 mm ²	HVSF 3.5 mm ²
	AWG12	AWG12	AWG12	AWG12
Inrush current (Main power supply) *1	Max. 22 A	Max. 22 A	Max. 32 A	Max. 32 A
Inrush current (Control power supply) *1	Max. 14 A	Max. 14 A	Max. 48 A	Max. 48 A
Weight	Approx. 4.8 kg	Approx. 4.8 kg	Approx. 4.7 kg	Approx. 4.7 kg
Dimensions	Size F	Size F	Size F	Size F

*1 Current values were calculated on the basis of the power supply input described above, assuming a voltage of 200 V, 400 V or 24 V dc.

● MINAS-A5N9 Series

- Sizes G/H 200 V and 400 V

Model	MGDHTC3B4N91	MGDHTB4A2N91	MHDHTC3B4N91	MHDHTB4A2N91
Power supply input	3 phase 200 V	3 phase 400 V	3 phase 200 V	3 phase 400 V
Maximum instantaneous output current	300 A	150 A	300 A	150 A
Maximum continuous output current	240 A	120 A	240 A	120 A
Regenerative discharge resistor	Externally connected	Externally connected	Externally connected	Externally connected
Auto gain tuning function	Provided	Provided	Provided	Provided
Dynamic brake function	Provided	Provided	Provided	Provided
Safety function	Provided	Provided	Provided	Provided
Ambient temperature	0–55°C	0–55°C	0–55°C	0–55°C
Control power cable	HVSF 0.75 mm ²	HVSF 0.75mm ²	HVSF 0.75 mm ²	HVSF 0.75 mm ²
	AWG18	AWG18	AWG18	AWG18
Main power supply cable	HVSF 5.3 mm ²	HVSF 5.3mm ²	HVSF 13.3 mm ²	HVSF 13.3 mm ²
	AWG10	AWG10	AWG6	AWG6
Ground cable	HVSF 13.3 mm ²	HVSF 13.3 mm ²	HVSF 21.1 mm ²	HVSF 21.1 mm ²
	AWG6	AWG6	AWG4	AWG4
Motor cable	HVSF 13.3 mm ²	HVSF 13.3 mm ²	HVSF 21.1 mm ²	HVSF 21.1 mm ²
	AWG6	AWG6	AWG4	AWG4
Inrush current (Main power supply) *1	Max. 66 A	Max. 32 A	Max. 66 A	Max. 32 A
Inrush current (Control power supply) *1	Max. 15 A	Max. 48 A	Max. 15 A	Max. 48 A
Weight	Approx. 13.5 kg	Approx. 13.5 kg	Approx. 21 kg	Approx. 21 kg
Dimensions	Size G	Size G	Size H	Size H

*1 Current values were calculated on the basis of the power supply input described above, assuming a voltage of 200 V, 400V and 24 V dc.

I/O connector (X4) default function allocation

X4 connector		Default function		
Name	Pin number	Signal name	Symbol	Logic
SI1	5	General monitor input 5	SI-MON5	NO contact
SI2	7	CW drive inhibit input	POT	NC contact
SI3	8	CCW drive inhibit input	NOT	NC contact
SI4	9	General monitor input 1	SI-MON1	NO contact
SI5	10	Near origin input	HOME	NO contact
SI6	11	External latch input 2	EXT2	NO contact
SI7	12	External latch input 3	EXT3	NO contact
SI8	13	General monitor input 4	SI-MON4	NO contact
SO1	1,2	External brake release signal	BRK-OFF	NO contact
SO2	25,26	RTEX operation output 1	EX-OUT1	NO contact
SO3	3,4	Alarm output	ALM	NC contact

PARAMETER

MODEL MINAS-A5NL and A5N9 series all common

Cate gory	Pr.	Parameter	Default value	Cate gory	Pr.	Parameter	Default value	Cate gory	Pr.	Parameter	Default value	Cate gory	Pr.	Parameter	Default value				
0	0	Operational direction setup	1	1	13	Thrust feed forward filter	0.00	2	16	2nd damping frequency	0.0	3	23	Feedback scale selection	0				
	1	Not used	-		14	2nd gain setup	1		17	2nd damping filter setup	0.0		24	Not used	-	4	24	For manufacturer's use	0
	2	Real-time auto tuning setup	1		15	Mode of position control switching	0		18	3rd damping frequency	0.0		25	Not used	-		25	Not used	-
	3	Machine stiffness at real-time auto tuning	Size A-C: 13 Size D-H: 11		16	Delay time of position control switching	5.0		19	3rd damping filter setup	0.0		26	Reversal of feedback scale direction	0		26	Not used	-
	4	Mass ratio	250		17	Level of position control switching	50		20	4th damping frequency	0.0		27	Feedback scale Z-phase disconnection detection disable	0		27	Not used	-
	5	Not used	-		18	Hysteresis at position control switching	33		21	4th damping filter setup	0.0		28	Not used	-		28	Not used	-
	6	Not used	-		19	Position gain switching time	3.3		22	Position command smoothing filter	0.0		29	Not used	-		29	Not used	-
	7	Not used	-		20	Mode of velocity control switching	0		23	Position command FIR filter	0.0	4	0	SI1 input selection	3289650	31	In-position range	10	
	8	Not used	-		21	Delay time of velocity control switching	0.0		3	0	Not used		-	1	SI2 input selection	8487297	32	In-position output setup	0
	9	Numerator of electronic gear	1		22	Level of velocity control switching	0			1	Not used		-	2	SI3 input selection	8553090	33	INP hold time	0
	10	Denominator of electronic gear	1		23	Hysteresis at velocity control switching	0			2	Not used		-	3	SI4 input selection	3026478	34	Zero-speed	50
	11	Output pulse counts per motor revolution	2500		24	Mode of thrust control switching	0			3	Not used		-	4	SI5 input selection	2236962	35	Speed coincidence range	50
	12	Reversal of pulse output logic	0		25	Delay time of thrust control switching	0.0			4	For manufacturer's use		0	5	SI6 input selection	2171169	36	At-speed	1000
	13	1st thrust limit	500		26	Level of thrust control switching	0			5	For manufacturer's use		0	6	SI7 input selection	2829099	37	Mechanical brake action in stop	0
	14	Position deviation excess setup	100000		27	Hysteresis at thrust control switching	0			6	Not used		-	7	SI8 input selection	3223857	38	Mechanical brake action in motion	0
	15	Not used	-	2	0	Adaptive filter mode setup	0	7		Not used	-		8	Not used	-	39	Brake release speed setup	30	
	16	External regenerative resistor setup	Size A,B,G,H: 3 Size C-F: 0		1	1st notch frequency	5000	8		Not used	-		9	Not used	-	40	Warning output 1 selection	0	
17	Load factor of external regenerative resistor	0	2	1st notch width selection	2	9	Not used	-		10	SO1 output selection	197379	41	Warning output 2 selection	0				
1	0	1st gain of position loop	Size A-C: 48.0 Size D-H: 32.0	3	1st notch depth selection	0	10	Not used	-	11	SO2 output selection	1052688	42	2nd in-position range	10				
	1	1st gain of velocity loop	Size A-C: 27.0 Size D-H: 18.0	4	2nd notch frequency	5000	11	Not used	-	12	SO3 output selection	65793	5	0	Not used	-			
	2	1st time constant of velocity loop integration	Size A-C: 21.0 Size D-H: 31.0	5	2nd notch width selection	2	12	Acceleration time setup	0	13	Not used	-		1	Not used	-			
	3	1st filter of speed detection	0	6	2nd notch depth selection	0	13	Deceleration time setup	0	14	Not used	-		2	Not used	-			
	4	1st time constant of thrust filter	Size A-C: 0.84 Size D-H: 1.26	7	3rd notch frequency	5000	14	S-curve acceleration/deceleration time setup	0	15	Not used	-		3	Denominator of pulse output division	0			
	5	2nd gain of position loop	Size A-C: 57.0 Size D-H: 38.0	8	3rd notch width selection	2	15	Not used	-	16	Analog monitor 1 type	0		4	Over-travel inhibit input setup	1			
	6	2nd gain of velocity loop	Size A-C: 27.0 Size D-H: 18.0	9	3rd notch depth selection	0	16	Not used	-	17	Analog monitor 1 output gain	0		5	Sequence at over-travel inhibit	0			
	7	2nd time constant of velocity loop integration	1000.0	10	4th notch frequency	5000	17	Speed limit selection	0	18	Analog monitor 2 type	4		6	Sequence at servo-off	0			
	8	2nd filter of speed detection	0	11	4th notch width selection	2	18	Not used	-	19	Analog monitor 2 output gain	0		7	Sequence at main power off	0			
	9	2nd time constant of thrust filter	Size A-C: 0.84 Size D-H: 1.26	12	4th notch depth selection	0	19	Not used	-	20	Not used	-		8	LV trip selection at main power off	1			
	10	Velocity feed forward gain	30.0	13	Selection of damping filter switching	0	20	Not used	-	21	Analog monitor output setup	0		9	Detection time of main power off	70			
	11	Velocity feed forward filter	0.50	14	1st damping frequency	0.0	21	Speed limit value 1	0	22	For manufacturer's use	0		10	Sequence at alarm	0			
12	thrust feed forward gain	0.0	15	1st damping filter setup	0.0	22	Speed limit value 2	0	23	For manufacturer's use	0.00	11	thrust setup for quick stop	0					

PARAMETER

MODEL MINAS-A5NL and A5N9 series all common

Cate gory	Pr.	Parameter	Default value	Cate gory	Pr.	Parameter	Default value	Cate gory	Pr.	Parameter	Default value	Cate gory	Pr.	Parameter	Default value					
5	12	Over-load level setup	0	6	8	Positive direction thrust compensation	0	6	39	For manufacturer's use	0	7	26	RTEX warning setup of continuous com. error	0					
	13	Over-speed level setup	0		9	Negative direction thrust compensation	0		40	Disturbance thrust compensating phase setup	0		27	RTEX warning setup of cumulative com. error	0	8	13	Profile homing speed 1	50	
	14	Motor working range setup	1.0		10	Function expansion setup	0		41	1st damping filter depth	0		28	RTEX update counter warning setup	0		14	Profile homing speed 2	5	
	15	Control input reading setup	0		11	Not used	-		42	2 stage thrust filter	0		29	RTEX monitor selection 1	0		15	For manufacturer's use	0	
	16	Not used	-		12	Not used	-		43	2 stage thrust filter damping	1000		30	RTEX monitor selection 2	0	9	0	Motor type selection	1	
	17	Not used	-		13	Not used	-		7	0	LED display		0	31	RTEX monitor selection 3		0	1	Feedback scale resolution / Number of scale pulses per rotation	0.000
	18	Not used	-		14	Quick stop time at alarm	200			1	Address indicated time at power-up		0	32	RTEX monitor selection 4		0	2	Magnetic pole pitch	0.00
	19	Not used	-		15	2nd over-speed level setup	0			2	Not used		-	33	RTEX monitor selection 5		0	3	Number of pole pairs per rotation	0
	20	Position unit selection	0		16	Not used	-			3	Thrust limited output setup		0	34	RTEX monitor selection 6		0	4	Weight of motor's movable section / Motor inertia	0.00
	21	Thrust limit selection	1		17	Not used	-			4	For manufacturer's use		0	35	RTEX command setup 1		0	5	Rated motor thrust / Rated motor torque	0.0
	22	2nd thrust limit	500		18	Power-up wait time	0			5	For manufacturer's use		0	36	RTEX command setup 2		0	6	Rated motor effective current	0.0
	23	Not used	-		19	Not used	-			6	For manufacturer's use		0	37	RTEX command setup 3		0	7	Maximum instantaneous motor current	0.0
	24	Not used	-		20	For manufacturer's use	0			7	For manufacturer's use		0	38	RTEX update counter warning protection setup		0	8	Motor phase inductance	0.00
	25	Positive direction thrust limit	500		21	For manufacturer's use	0			8	For manufacturer's use		0	39	For manufacturer's use		0	9	Motor phase resistance	0.00
	26	Negative direction thrust limit	500		22	A/B-phase feedback scale pulse output selection	0			9	For manufacturer's use		360	40	RTEX function expansion 4		1	10	Maximum overspeed level	0
	27	Not used	-		23	Disturbance thrust compensating gain	0			10	Software-limit function		0	41	RTEX function expansion 5		0	11	Carrier frequency selection	Size A,H: 1 Size B-G: 0
	28	Not used	-		24	Disturbance observer filter	0.53			11	Positive software-limit value		500000	42	Not used		-	12	Automatic current response adjustment	Size A,H: 60 Size B-G: 30
	29	For manufacturer's use	2		25	Not used	-			12	Negative software-limit value		-500000	43	output setup for completion of estimating magnetic poles position	0	13	Current proportional gain	50	
	30	Not used	-		26	Not used	-		13	home offset for absolute encoder	0		8	0	For manufacturer's use	0	14	Current integrative gain	10	
	31	USB axis address	1		27	Warning latch setup	0		14	Detection time of main power off warning	0			1	Profile linear acceleration	100	15	Not used	-	
	32	Not used	-		28	Not used	-		15	NEAR range	10			2	For manufacturer's use	0	16	Not used	-	
	33	Pulse regenerative output limit setup	0		29	Not used	-		16	Not used	-			3	For manufacturer's use	0	17	For manufacturer's use	0	
	34	For manufacturer's use	4		30	Not used	-		17	Not used	-			4	Profile linear deceleration	100	18	For manufacturer's use	0	
	6	0	Not used		-	31	Real-time auto tuning estimation speed		1	18	Not used			-	5	For manufacturer's use	0	19	For manufacturer's use	0
		1	Not used		-	32	Real-time auto tuning custom setup		0	19	Not used			-	6	Not used	-	20	Magnetic poles detection method selection	0
		2	Velocity deviation excess setup		0	33	Not used		-	20	RTEX communication period			3	7	Not used	-	21	CS phase setting	0
		3	Not used		-	34	Not used		-	21	RTEX command update period			2	8	Not used	-	22	Thrust command time for estimating magnetic poles position	200
		4	Not used		-	35	Not used		-	22	RTEX function expansion 1			0	9	Not used	-	23	Command thrust for estimating magnetic poles position	50
		5	Position 3rd gain valid time		0.0	36	Not used		-	23	RTEX function expansion 2			18	10	Profile distance after position latched	0	24	Zero moving pulse width for estimating magnetic poles position	100
		6	Position 3rd gain scaling factor		100	37	Oscillation detecting level		0.0	24	RTEX function expansion 3			0	11	Not used	-	25	Number of motor stop judging pulses for estimating magnetic poles position	40
	7	thrust command additional value	0		38	Warning mask setup	4		25	RTEX velocity unit	0		12	Profile homing mode	0	26	Motor stop judging time for estimating magnetic poles position	40		
																27	Motor stop time limi for estimating magnetic poles position	1000		

