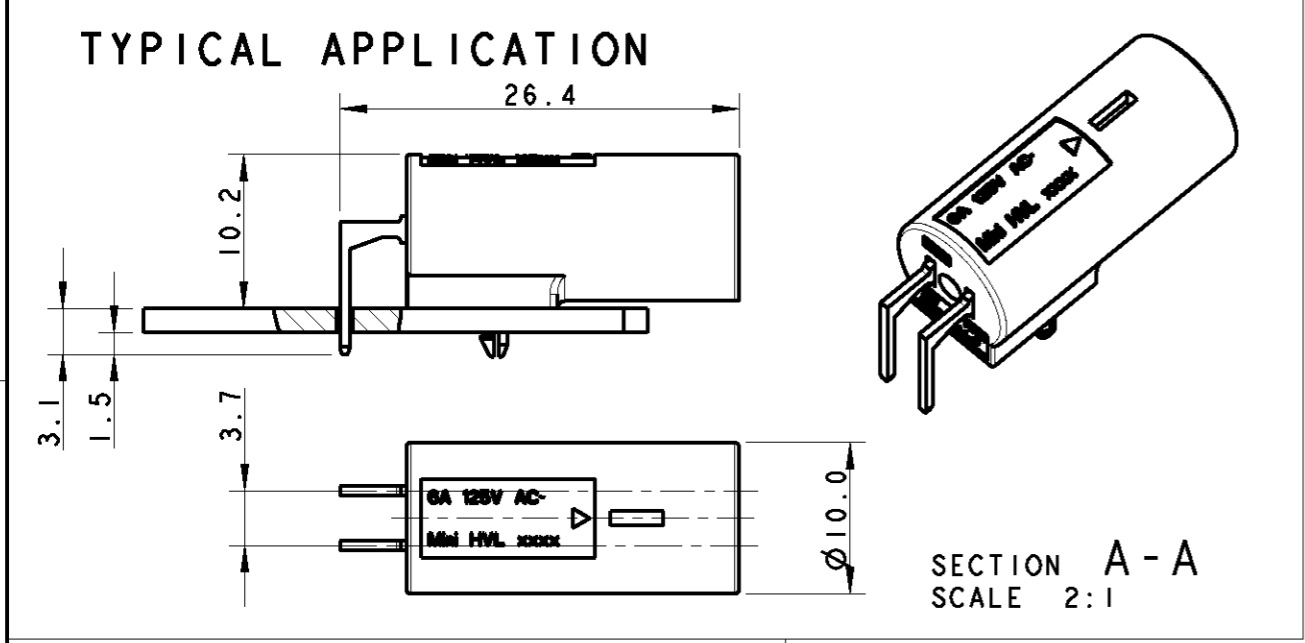


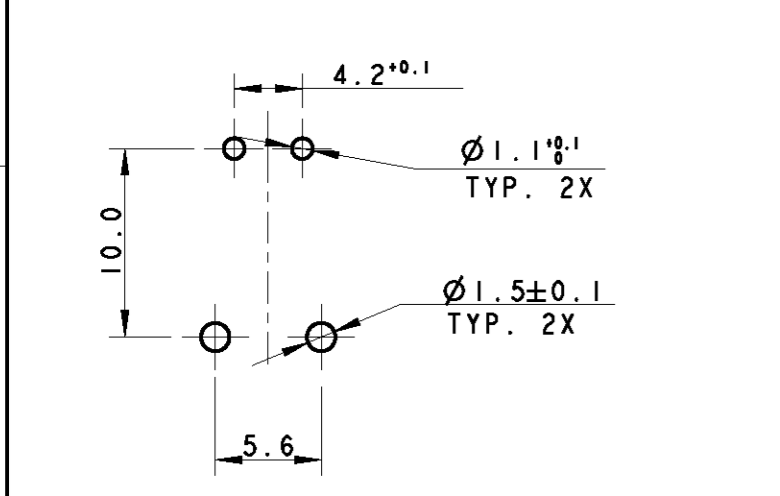
THIS DRAWING IS UNPUBLISHED. RELEASED FOR PUBLICATION 20
 © COPYRIGHT 20 BY TYCO ELECTRONICS CORPORATION. ALL RIGHTS RESERVED.

LOC	DIST	REVISIONS			
P	LTR	DESCRIPTION	DATE	DWN	APVD
AL	2	A	FIRST ISSUE	16FEB2010	AV GT
		AI	REVISED PCB HOLES LAYOUT	04APR2011	AV GT



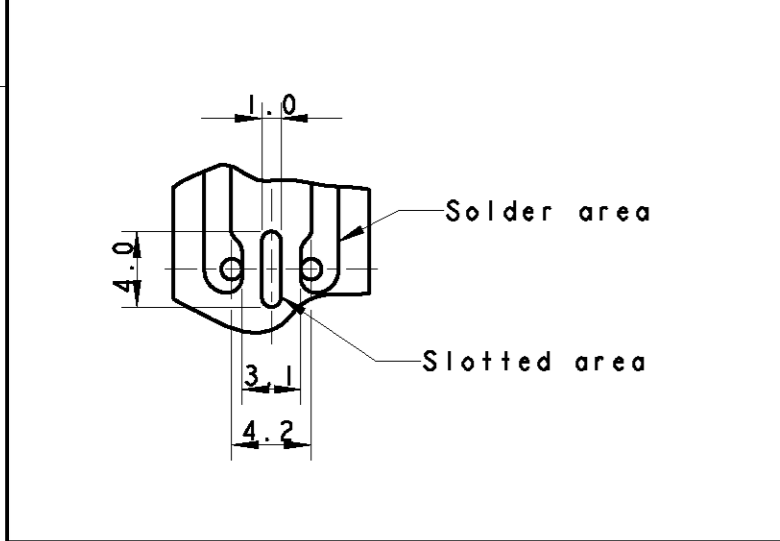
PRINTED CIRCUIT BOARD LAYOUT FOR LOW VOLTAGE VERSION

TOLERANCES UNLESS OTHERWISE SPECIFIED ± 0.05
 PRINTED CIRCUIT BOARD THICKNESS: 1.6 mm NOMINAL

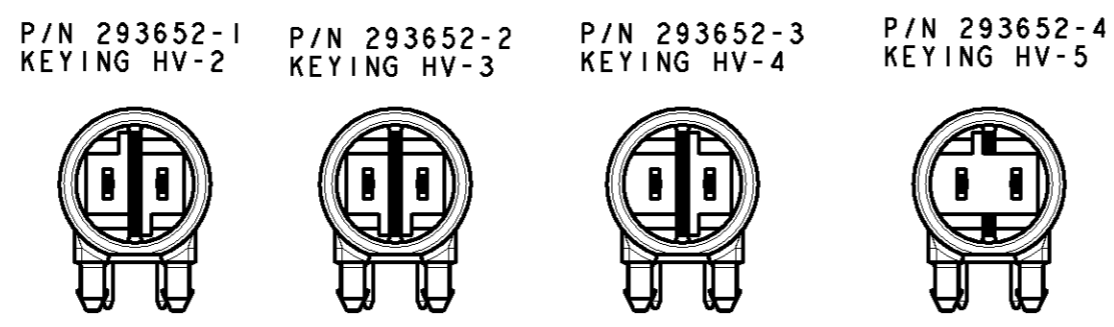


PRINTED CIRCUIT BOARD LAYOUT FOR HIGH VOLTAGE VERSION

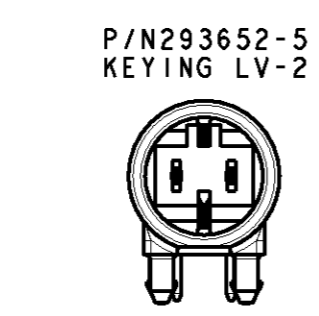
TOLERANCES UNLESS OTHERWISE SPECIFIED ± 0.05
 PRINTED CIRCUIT BOARD THICKNESS: 1.6 mm NOMINAL



HIGH VOLTAGE



LOW VOLTAGE



- NOTE:
- 1) TIN PLATED CONTACTS
 - 2) MATERIAL HOUSING PBT, 15%GFF, UL 94 V0
 - 3) NOT YET RELEASED FOR PRODUCTION

NOTE	KEYING	REMARKS	PART NUMBER	COLOR
3	LV-2	LOW-VOLT 7A 42 V DC	293652-5	WHITE
3	HV-5	HIGH-VOLT 6A 125 V AC	293652-4	WHITE
3	HV-4	HIGH-VOLT 6A 125 V AC	293652-3	WHITE
3	HV-3	HIGH-VOLT 6A 125 V AC	293652-2	WHITE
3	HV-2	SWITCH-KEYING	293652-1	WHITE

THIS DRAWING IS A CONTROLLED DOCUMENT FOR TYCO ELECTRONICS CORPORATION. IT IS SUBJECT TO CHANGE AND THE CONTROLLING ENGINEERING ORGANIZATION SHOULD BE CONTACTED FOR THE LATEST REVISION.

20 JUN 2007
 DWN R. FRABONI
 CHK J. SALO
 APVD L. BATLLO

20 JUN 2007
 11 FEB 2008
 11 FEB 2008

PRODUCT SPEC -
 APPLICATION SPEC -
 WEIGHT -

Tyco Electronics Tyco Electronics AMP Italia s.r.l.
 10093 Collegno TO

NAME 7.5 mm PCB CONNECTOR ASSEMBLY
 90 DEGREE MALE VERSION

SIZE A3 CAGE CODE 00779 C=293652 DRAWING NO. RESTRICTED TO -

CUSTOMER DRAWING SCALE 2:1 SHEET 1 OF 1 REV AI