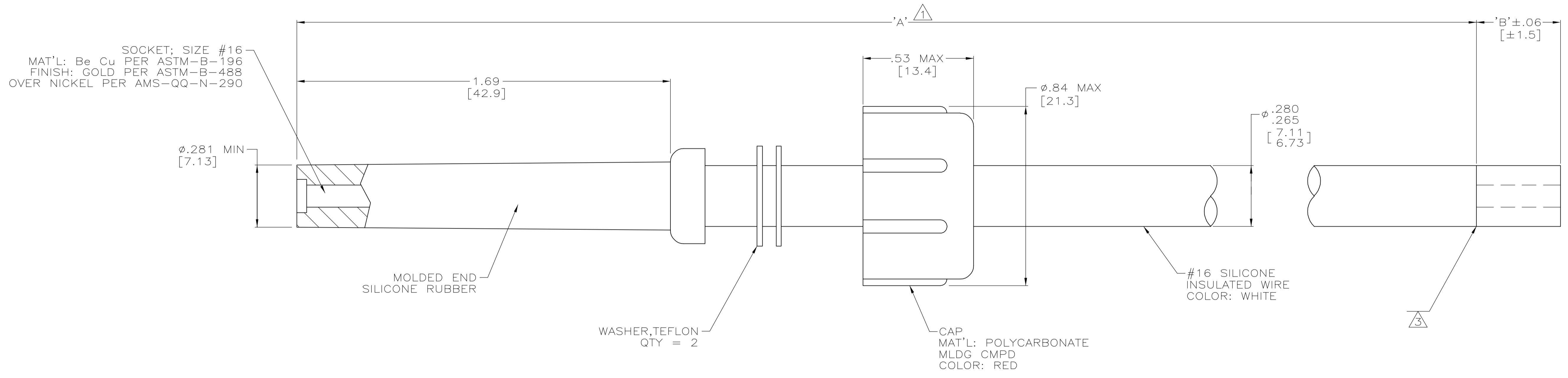


LOC		DIST		REVISIONS			
DF	X5	REV	DATE	DESCRIPTION	DATE	BY	APP'D
A			06-05	RELEASED PER ECO-05-001646		AA	DE

PART NO.	'A'	'B'
5830637-5	36.00 [914.4]	.38 [9.7]
5830637-8	47.25 [1200.1]	.50 [12.7]
1-5830637-2	12.00 [304.8]	.38 [9.7]
1-5830637-3	18.00 [457.2]	.38 [9.7]
2-5830637-3	17.00 [431.8]	.50 [12.7]
2-5830637-4	48.00 [1219.2]	.38 [9.7]
2-5830637-8	24.00 [609.6]	.38 [9.7]
3-5830637-6	118.00 [2997.2]	.38 [9.7]

1. TOLERANCE OF LEAD LENGTH:  
 UP TO 24 INCHES [609.6] = ±.12 [±3.0]  
 24 INCHES [609.6] & UP = ±1%
2. MARKED PER MIL-STD-130.
3. INSULATION CUT TO LENGTH 'B' BUT NOT REMOVED.
4. TO MATE WITH AMP LGH-1L RECEPTACLE WITH 1.69 [42.93] BARREL DEPTH.
5. OPERATING VOLTAGE: 25 KVDC AT 0 TO 70,000 FEET, -55°C TO 125°C.
6. MIN LEAD LENGTH IS 5.00 [127.0].



THIS DRAWING IS A CONTROLLED DOCUMENT.		DWG A.H.ANDERSON 09-JUN-05		Tyco Electronics Corporation Harrisburg, Pa 17105-3608																			
DIMENSIONS: INCHES		CHK D. FARY 09-JUN-05		APPROV D. FARY 09-JUN-05	NAME LEAD ASS'Y SGL END LGH-1L																		
TOLERANCES UNLESS OTHERWISE SPECIFIED:		<table border="1"> <tr><td>0 PLC</td><td>±</td><td>-</td></tr> <tr><td>1 PLC</td><td>±</td><td>-</td></tr> <tr><td>2 PLC</td><td>±</td><td>.02 [0.5]</td></tr> <tr><td>3 PLC</td><td>±</td><td>-</td></tr> <tr><td>4 PLC</td><td>±</td><td>-</td></tr> <tr><td>ANGLES</td><td>±</td><td>-</td></tr> </table>		0 PLC	±	-	1 PLC	±	-	2 PLC	±	.02 [0.5]	3 PLC	±	-	4 PLC	±	-	ANGLES	±	-	RESTRICTED TO	
0 PLC	±	-																					
1 PLC	±	-																					
2 PLC	±	.02 [0.5]																					
3 PLC	±	-																					
4 PLC	±	-																					
ANGLES	±	-																					
MATERIAL SEE CALLOUTS		FINISH SEE CALLOUTS		SIZE A1	CAGE CODE 00779																		
CUSTOMER DRAWING		DRAWING NO 5830637		SCALE 4:1	SHEET 1 OF 1																		