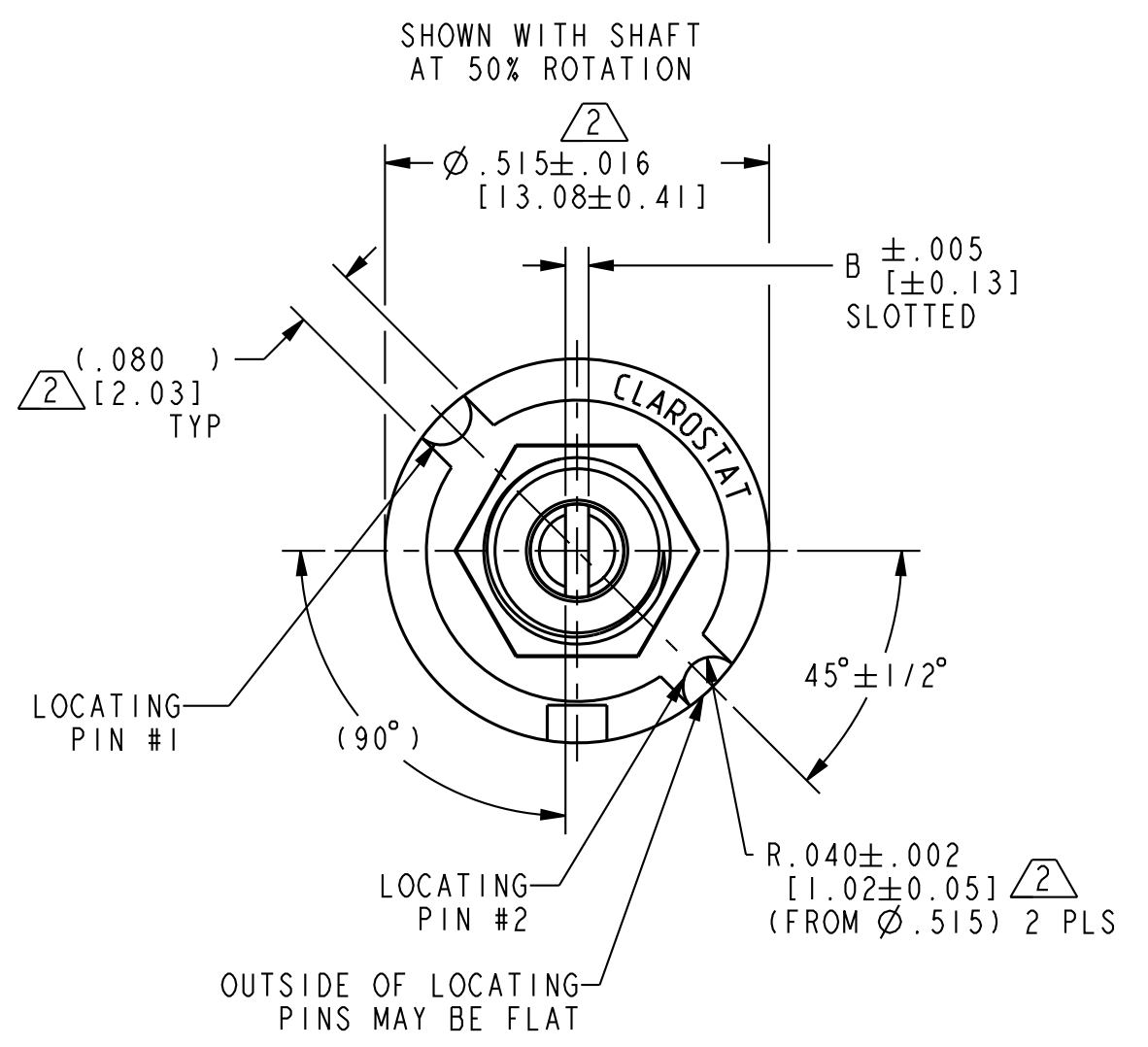
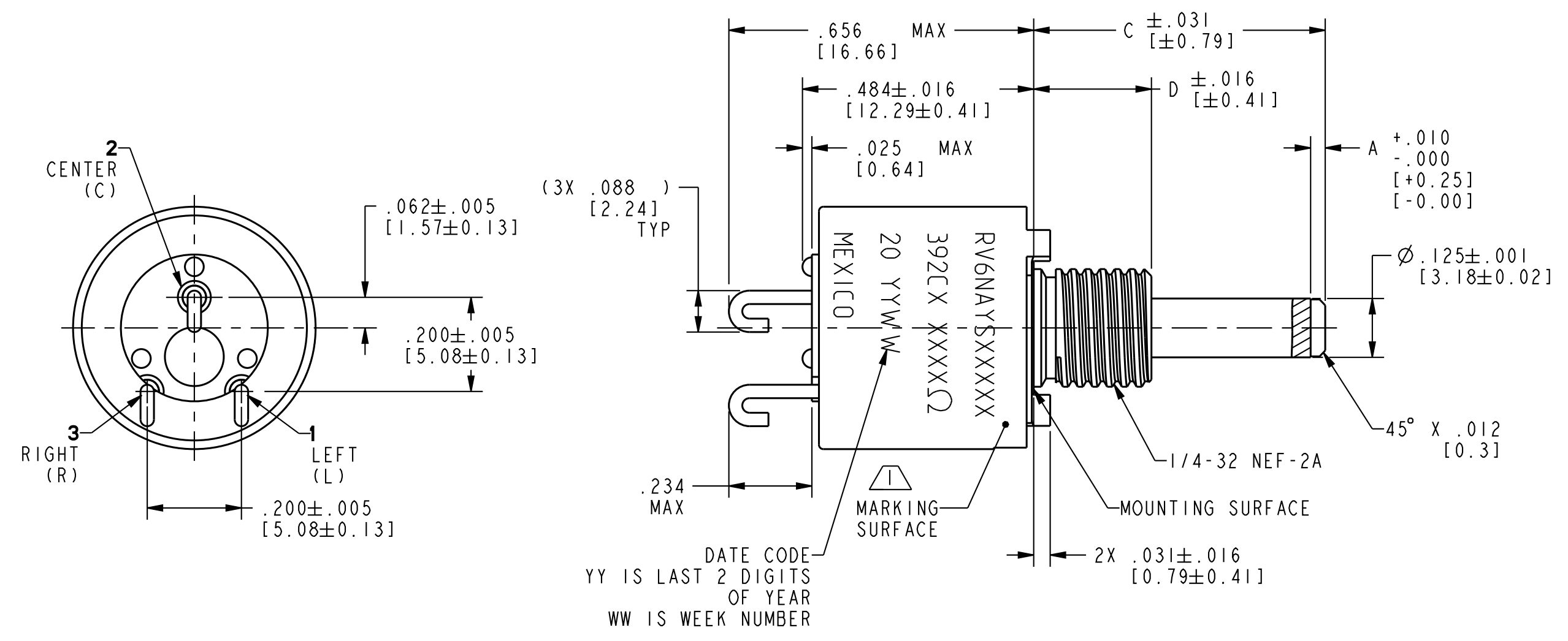


PART NUMBER
SEE SHEET-2 TABLE

| REVISION HISTORY | | | | | |
|------------------|----------|-------------|---------|------------|----------|
| REV | DOCUMENT | DESCRIPTION | CHGD BY | DATE | APPROVED |
| A | 0112190 | RELEASED | B.M. | 2014-08-05 | M. MIKE |



GENERAL SPECIFICATIONS AND NOTES:

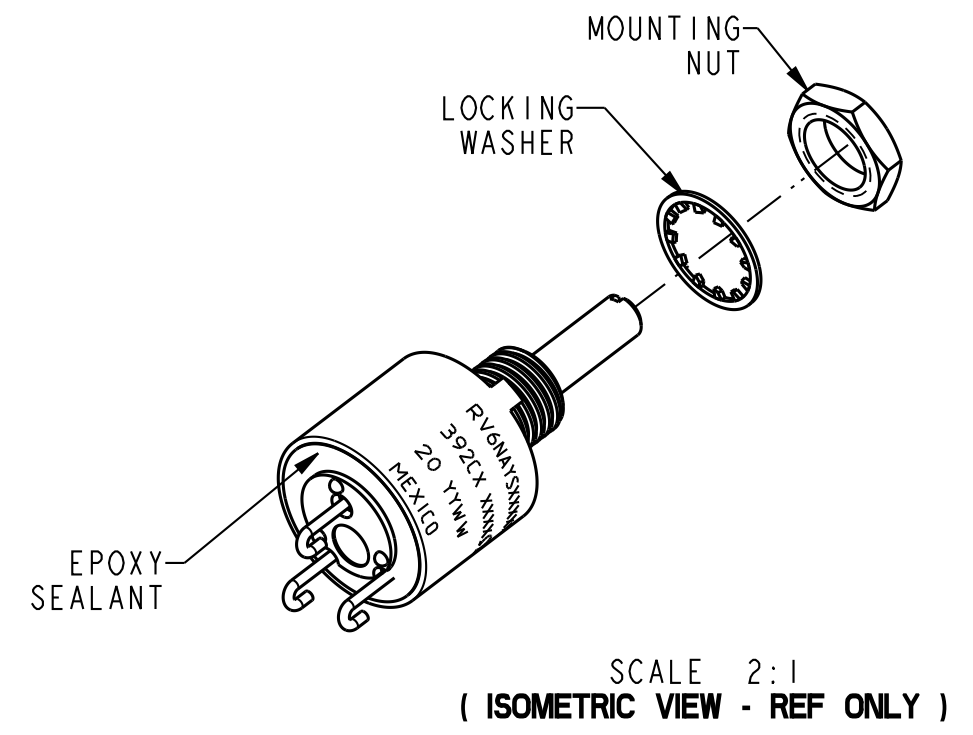
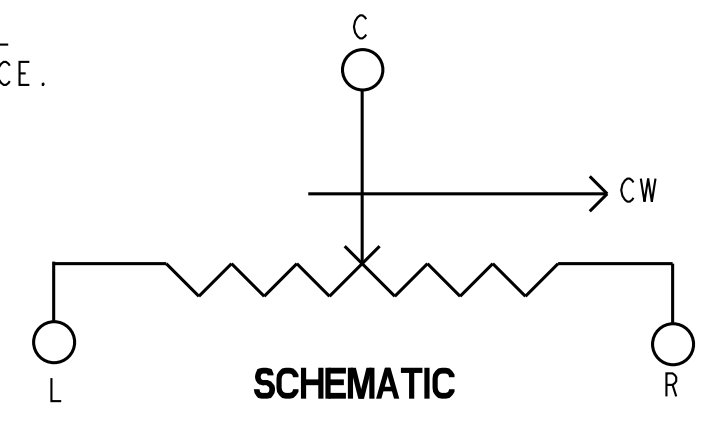
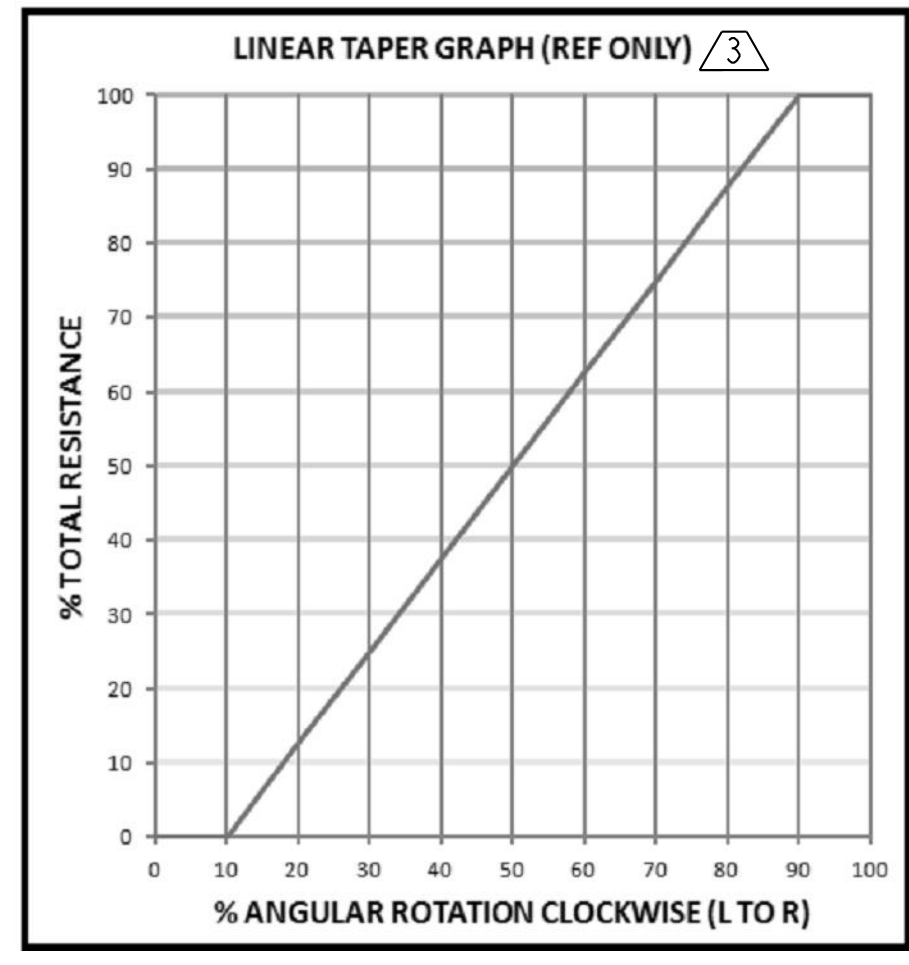
- SERIES: 392
- CONDUCTIVE PLASTIC ELEMENT
- SUPPLIED WITH MOUNTING NUT AND LOCKING WASHER, PACKAGED ASSEMBLED OR UNASSEMBLED BASED ON LISTING (REFER TO TABLE ON SHEET2).
- MARKING INFORMATION SHOWN ON SIDE OF HOUSING. REFER TO TABLE FOR SPECIFIC LISTING MARKING INFORMATION.
- WEIGHT OF SINGLE CONTROL: .25 OUNCE [6.8 GRAMS] APPROX. VALUES ARE SHOWN IN STANDARD AND METRIC UNITS. METRIC UNITS ARE IN []. IF CONVERSION DIFFERENCE EXISTS, THE STANDARD UNIT PREVAILS.
- CONTROLS HAVE AN INTERNAL O-RING SHAFT SEAL.
- UNITS ARE SEALED FOR WAVE SOLDER AND WASH PROCESSING.
- BUILT IN ACCORDANCE WITH MIL-R-94.
- DIMENSIONS FOR BODY DIAMETER AND LOCATING PINS DEVIATE FROM MIL-R-94 SPECIFICATIONS.

ELECTRICAL SPECIFICATIONS:

- TAPER: LINEAR
- TAPER TOLERANCE ±20% OF NOMINAL RESISTANCE AT 50%±3% MECHANICAL ROTATION.
- LINEARITY (INDEPENDENT): ±5%
- MAX WORKING VOLTAGE: 350 VDC APPLIED ACROSS L & R TERMINALS. POWER NOT TO EXCEED RATING.
- DIELECTRIC STRENGTH: 750 VAC FOR 60s @ ATM [1 MPa]
- 350 VAC FOR 60s @ 3.4 IN Hg [11.5 KPa]
- POWER RATING: 0.5W @ 158°F [70°C], DE-RATED LINEARLY TO 0 @ 248°F [120°C]
- CRV FOR RESISTANCE GREATER THAN 500Ω AND LESS THAN 50KΩ IS 1.5% OF TOTAL RESISTANCE. CRV FOR ALL OTHER RESISTANCE VALUES IS 3.1% OF TOTAL RESISTANCE.
- END RESISTANCE: 4Ω MAX AT EACH END OF ROTATION
- RESISTANCE AND TOLERANCE: (REFER TO TABLE)
- ELECTRICAL ROTATION: 295°±5°
- EFFECTIVE ELECTRICAL ROTATION: 265° TYPICAL

OPERATIONAL SPECIFICATIONS:

- ROTATIONAL LIFE: 50,000 CYCLES
- STORAGE TEMPERATURE: -67°F [-55°C] TO 248°F [120°C]
- OPERATING TEMPERATURE: -40°F [-40°C] TO 248°F [120°C]
- ROTATIONAL TORQUE: 0.5 TO 2.0 OZ-IN [3.5 TO 14 mN·m]
- STOP TORQUE: 3 LB-IN [0.34 N·m] MIN
- MECHANICAL ROTATION: 295°±5°



| MATERIALS | |
|--------------|-------------------------------------|
| SHAFT | NICKEL PLATED BRASS |
| BUSHING | NICKEL PLATED BRASS |
| HOUSING | THERMOPLASTIC |
| BASE | THERMOSET |
| TERMINALS | BRASS, SOLDER (TIN-LEAD) DIP FINISH |
| SEALANT | EPOXY |
| LOCK WASHER | NICKEL PLATED PHOS BRONZE |
| MOUNTING NUT | NICKEL PLATED BRASS |

| | | | | | | |
|---|--|------------------------|---|---|--------------|--|
| UNLESS OTHERWISE SPECIFIED DIMENSIONS ARE IN INCHES DECIMAL TOL: NO PLACE --- ±.400 [10.16] 1 PLACE --- ±.030 [0.76] 2 PLACE --- ±.010 [0.25] 3 PLACE --- ±.005 [0.13] ANGULAR TOL --- ±2° CHAMFER --- ±5° | | THIRD ANGLE PROJECTION | <h2 style="text-align: center;">Honeywell</h2> <p style="text-align: center;">TITLE S-TAPER, SLOTTED SHAFT, STD BUSHING, SOLDER HOOK TERMS</p> | | | |
| MATERIAL SEE TABLE | | SIZE C | | | | |
| FINISH | | SCALE 4:1 | RELEASE DATE 2014-08-05 | REF WT: SEE NOTE | SHEET 1 of 2 | |
| APPLICABLE DOCUMENTS: ASME Y14.100-2004 ASME Y14.5-2009 | | DRW: B. MOHAPATRA | 2014-05-28 | RDE: M. MIKE | 2014-05-28 | |
| COMPUTER GENERATED DRAWING: PRO/ENGINEER | | CHK: S. RAGHU | 2014-08-05 | HONEYWELL CONFIDENTIAL <small>THIS DOCUMENT CONTAINS PROPRIETARY INFORMATION AND SUCH INFORMATION MAY NOT BE DISCLOSED TO OTHERS FOR ANY PURPOSE, NOR USED FOR MANUFACTURING PURPOSES WITHOUT WRITTEN PERMISSION FROM HONEYWELL</small> | | |


**MULTI-SHEET
DRAWING**

4

3

2

PART NUMBER
SEE SHEET-2 TABLE

| LISTING | CHARACTERISTICS | | | | | | | MARKING  | | | |
|-------------|-----------------|------------|-------------------------------|-------------------------------|---------------------------------|-----------------------------------|-----------------|---|-------------|---------|--------|
| | ELECTRICAL | | MECHANICAL | | | | | LINE-1 | LINE-2 | LINE-3 | LINE-4 |
| | RES (Ω) | RES TOL | A SLOT DEPTH IN [mm] | B SLOT WIDTH IN [mm] | C SHAFT LENGTH IN [mm] | D BUSHING LENGTH IN [mm] | MTG HARDWARE | | | | |
| 392550M6965 | 10KΩ | ±10% | .031 [0.79] | .031 [0.79] | .625 [15.88] | .250 [6.35] | UNASSEMBLED | RV6NAYSA103A | 10KΩ | 20 YYWW | MEXICO |
| 392550M9277 | 5KΩ | ±10% | .031 [0.79] | .031 [0.79] | .625 [15.88] | .250 [6.35] | UNASSEMBLED | RV6NAYSA502A | 5KΩ | 20 YYWW | MEXICO |
| 392550M9392 | 50KΩ | ±10% | .031 [0.79] | .031 [0.79] | .625 [15.88] | .250 [6.35] | UNASSEMBLED | RV6NAYSA503A | 50KΩ | 20 YYWW | MEXICO |
| 392550M9510 | 100Ω | ±10% | .031 [0.79] | .031 [0.79] | .500 [12.70] | .250 [6.35] | UNASSEMBLED | RV6NAYSB101A | 100Ω | 20 YYWW | MEXICO |
| 392550M7183 | 10KΩ | ±10% | .031 [0.79] | .031 [0.79] | .500 [12.70] | .250 [6.35] | UNASSEMBLED | RV6NAYSB103A | 10KΩ | 20 YYWW | MEXICO |
| 392550M9618 | 5KΩ | ±10% | .031 [0.79] | .031 [0.79] | .500 [12.70] | .250 [6.35] | UNASSEMBLED | RV6NAYSB502A | 5KΩ | 20 YYWW | MEXICO |
| 392C3100 | 100Ω | ±10% | .031 [0.79] | .031 [0.79] | .875 [22.23] | .250 [6.35] | ASSEMBLED | RV6NAYSD101A | 392C3 100Ω | 20 YYWW | MEXICO |
| 392C31K | 1KΩ | ±10% | .031 [0.79] | .031 [0.79] | .875 [22.23] | .250 [6.35] | ASSEMBLED | RV6NAYSD102A | 392C3 1KΩ | 20 YYWW | MEXICO |
| 392C310K | 10KΩ | ±10% | .031 [0.79] | .031 [0.79] | .875 [22.23] | .250 [6.35] | ASSEMBLED | RV6NAYSD103A | 392C3 10KΩ | 20 YYWW | MEXICO |
| 392C3100K | 100KΩ | ±10% | .031 [0.79] | .031 [0.79] | .875 [22.23] | .250 [6.35] | ASSEMBLED | RV6NAYSD104A | 392C3 100KΩ | 20 YYWW | MEXICO |
| 392C31MEG | 1MEGΩ | ±10% | .031 [0.79] | .031 [0.79] | .875 [22.23] | .250 [6.35] | ASSEMBLED | RV6NAYSD105A | 392C3 1MEGΩ | 20 YYWW | MEXICO |
| 392C3250 | 250Ω | ±10% | .031 [0.79] | .031 [0.79] | .875 [22.23] | .250 [6.35] | ASSEMBLED | RV6NAYSD251A | 392C3 250Ω | 20 YYWW | MEXICO |
| 392C32500 | 2.5KΩ | ±10% | .031 [0.79] | .031 [0.79] | .875 [22.23] | .250 [6.35] | ASSEMBLED | RV6NAYSD252A | 392C3 2.5KΩ | 20 YYWW | MEXICO |
| 392C325K | 25KΩ | ±10% | .031 [0.79] | .031 [0.79] | .875 [22.23] | .250 [6.35] | ASSEMBLED | RV6NAYSD253A | 392C3 25KΩ | 20 YYWW | MEXICO |
| 392C3250K | 250KΩ | ±10% | .031 [0.79] | .031 [0.79] | .875 [22.23] | .250 [6.35] | ASSEMBLED | RV6NAYSD254A | 392C3 250KΩ | 20 YYWW | MEXICO |
| 392C3500 | 500Ω | ±10% | .031 [0.79] | .031 [0.79] | .875 [22.23] | .250 [6.35] | ASSEMBLED | RV6NAYSD501A | 392C3 500Ω | 20 YYWW | MEXICO |
| 392C35K | 5KΩ | ±10% | .031 [0.79] | .031 [0.79] | .875 [22.23] | .250 [6.35] | ASSEMBLED | RV6NAYSD502A | 392C3 5KΩ | 20 YYWW | MEXICO |
| 392550M9627 | 5KΩ | ±20% | .031 [0.79] | .031 [0.79] | .875 [22.23] | .250 [6.35] | UNASSEMBLED | RV6NAYSD502B | 5KΩ | 20 YYWW | MEXICO |
| 392C350K | 50KΩ | ±10% | .031 [0.79] | .031 [0.79] | .875 [22.23] | .250 [6.35] | ASSEMBLED | RV6NAYSD503A | 392C3 50KΩ | 20 YYWW | MEXICO |
| 392C3500K | 500KΩ | ±10% | .031 [0.79] | .031 [0.79] | .875 [22.23] | .250 [6.35] | ASSEMBLED | RV6NAYSD504A | 392C3 500KΩ | 20 YYWW | MEXICO |
| 392C410K | 10KΩ | ±10% | .031 [0.79] | .031 [0.79] | .375 [9.53] | .250 [6.35] | ASSEMBLED | RV6NAYSL103A | 392C4 10KΩ | 20 YYWW | MEXICO |
| 392C4100K | 100KΩ | ±10% | .031 [0.79] | .031 [0.79] | .375 [9.53] | .250 [6.35] | ASSEMBLED | RV6NAYSL104A | 392C4 100KΩ | 20 YYWW | MEXICO |
| 392C4500K | 500KΩ | ±10% | .031 [0.79] | .031 [0.79] | .375 [9.53] | .250 [6.35] | ASSEMBLED | RV6NAYSL504A | 392C4 500KΩ | 20 YYWW | MEXICO |
| 392C5100 | 100Ω | ±10% | .031 [0.79] | .031 [0.79] | .875 [22.23] | .250 [6.35] | ASSEMBLED | RV6SAYSD101AP | 392C5 100Ω | 20 YYWW | MEXICO |

Honeywell

| | | | | | | | | | |
|-------|-----------|--------------------|-------|--------|---|--|--|--|--|
| TITLE | | | | | S-TAPER, SLOTTED SHAFT, STD BUSHING, SOLDER HOOK TERMS | | | | |
| SIZE | CAGE CODE | DWG NO | TYPE | REV | | | | | |
| C | - | 392-MATRIX-IDWG-15 | I | A | | | | | |
| SCALE | NONE | REF WT: SEE NOTE | SHEET | 2 of 2 | | | | | |

4

3

2