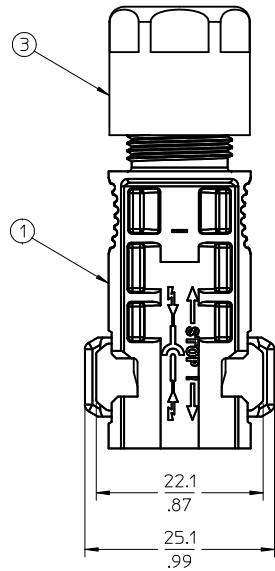
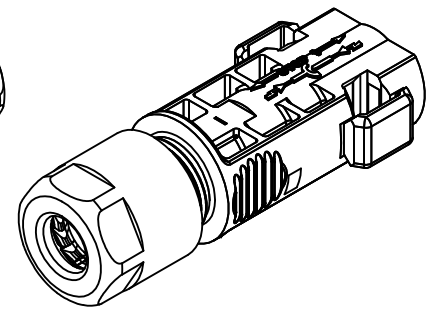
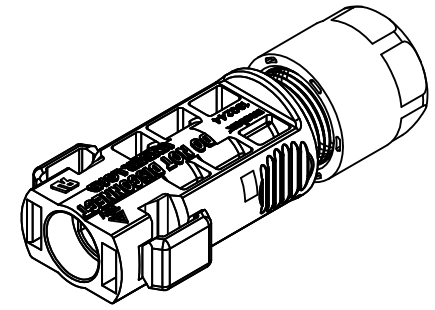
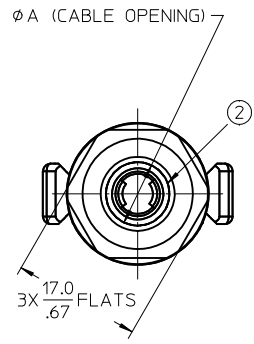
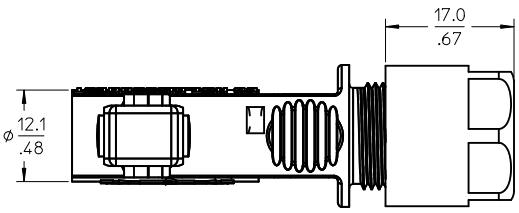
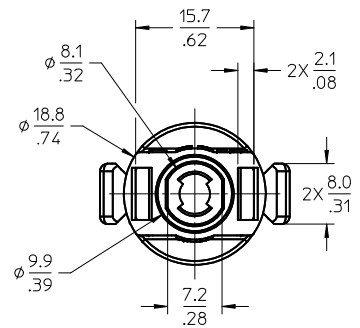
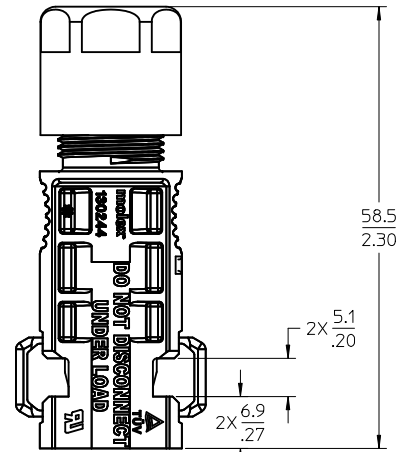


| | | | |
|--------------|-------------------------------------|-------------------|-----------|
| 1302440204 | 2.5 mm ² / 14 AWG | 5.8-6.7 / .23-.26 | 7.0 / .28 |
| 1302440202 | 4.0-6.0 mm ² / 12-10 AWG | 6.7-7.8 / .26-.31 | 8.4 / .33 |
| MATERIAL NO. | CABLE SIZE | CABLE Ø RANGE | DIM. "A" |



(OPPOSITE SIDE)



- NOTES:
1. MATERIALS: SEE TABLE
 2. FINISHES: SEE TABLE
 3. PRODUCT SPECIFICATION: PS-130244-001
 4. PACKAGING SPECIFICATION: PK-130244-002
 5. USE SOLARSPEC TERMINAL SERIES 130196
 6. MATES WITH: 1302440201 OR 1302440203
 7. ASSEMBLY IS ROHS COMPLIANT.

| | | | | |
|------|-----|---------------------|--------------------|-------------|
| 3 | 1 | CABLE RETENTION NUT | POLYCARBONATE (PC) | BLACK |
| 2 | 1 | CABLE GROMMET | SILICONE | TRANSLUCENT |
| 1 | 1 | PIN HOUSING | POLYCARBONATE (PC) | BLACK |
| ITEM | QTY | DESCRIPTION | MATERIAL | FINISH |

| | |
|---------------------|-------------|
| RELEASED | 2011/05/12 |
| EC NO: IPG2012-0291 | |
| DRWNR:RUPERT | 2011/05/12 |
| CHKD: | |
| APPR:DTITUS | 2012/02/24 |
| REV | DESCRIPTION |
| A | |

| | |
|-----------------|--|
| QUALITY SYMBOLS | GENERAL TOLERANCES (UNLESS SPECIFIED) |
| ▽=0 | |
| ▽=0 | |
| | ANGULAR ± 2° |
| | DRAFT WHERE APPLICABLE MUST REMAIN WITHIN DIMENSIONS |

| | | | |
|-----------------|---|--|------------------------|
| DIMENSION STYLE | SCALE | DESIGN UNITS | THIRD ANGLE PROJECTION |
| MM/IN | 2:1 | METRIC | |
| DRAWN BY | DATE | TITLE | |
| CLYORK | 2010/03/17 | PIN ASSEMBLY, PV SOLAR DC CONNECTOR, 14-10 AWG | |
| CHECKED BY | DATE | APPROVED BY | |
| DTITUS | 2010/03/17 | DATE | |
| | | DTITUS 2010/10/28 | |
| MATERIAL NO. | DOCUMENT NO. | SHEET NO. | |
| SEE CHART | SD-130244-002 | 1 OF 1 | |
| SIZE | THIS DRAWING CONTAINS INFORMATION THAT IS PROPRIETARY TO MOLEX INCORPORATED AND SHOULD NOT BE USED WITHOUT WRITTEN PERMISSION | | |

| | | |
|---|---------------|-----------|
| MATERIAL NO. | DOCUMENT NO. | SHEET NO. |
| SEE CHART | SD-130244-002 | 1 OF 1 |
| THIS DRAWING CONTAINS INFORMATION THAT IS PROPRIETARY TO MOLEX INCORPORATED AND SHOULD NOT BE USED WITHOUT WRITTEN PERMISSION | | |