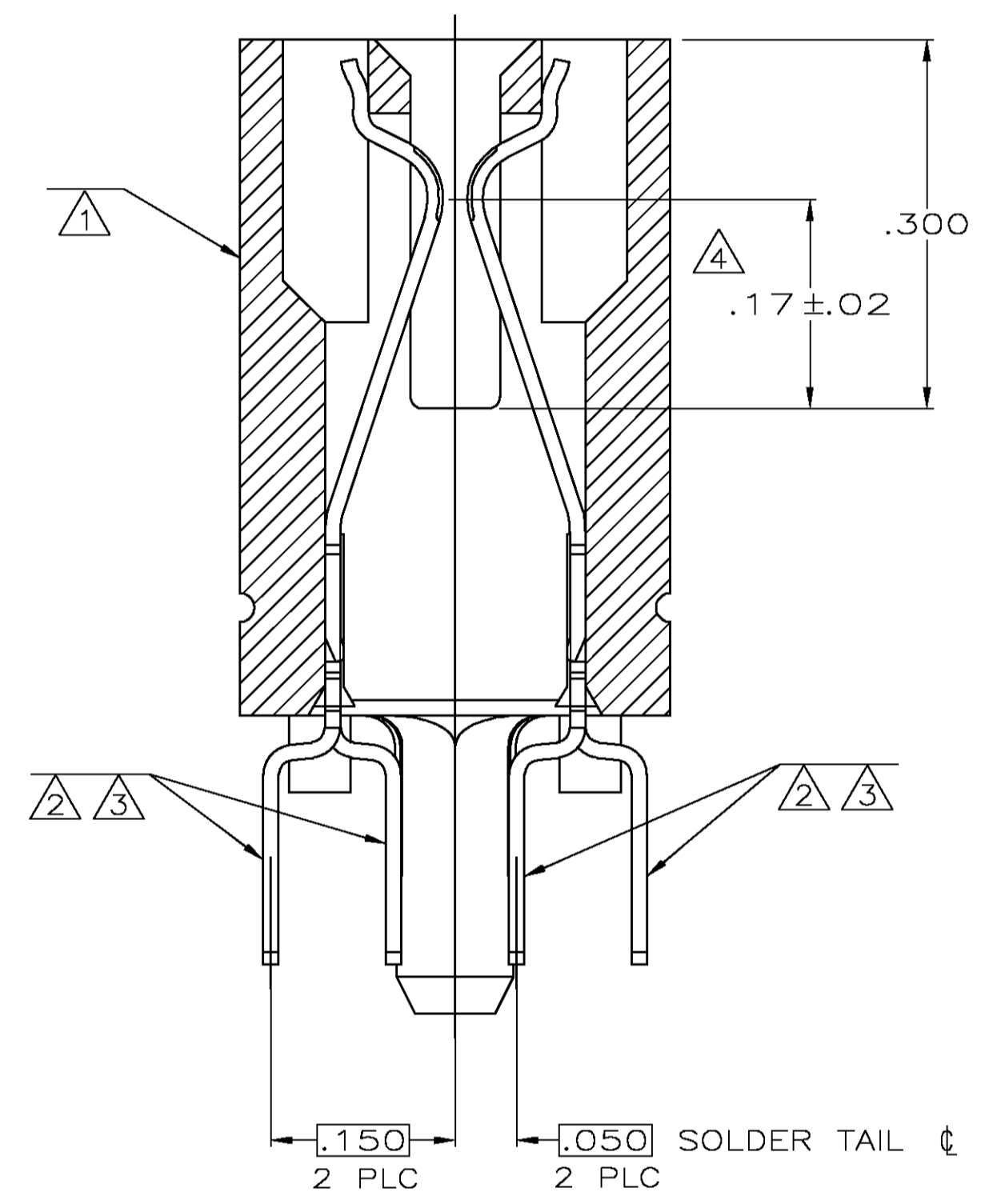
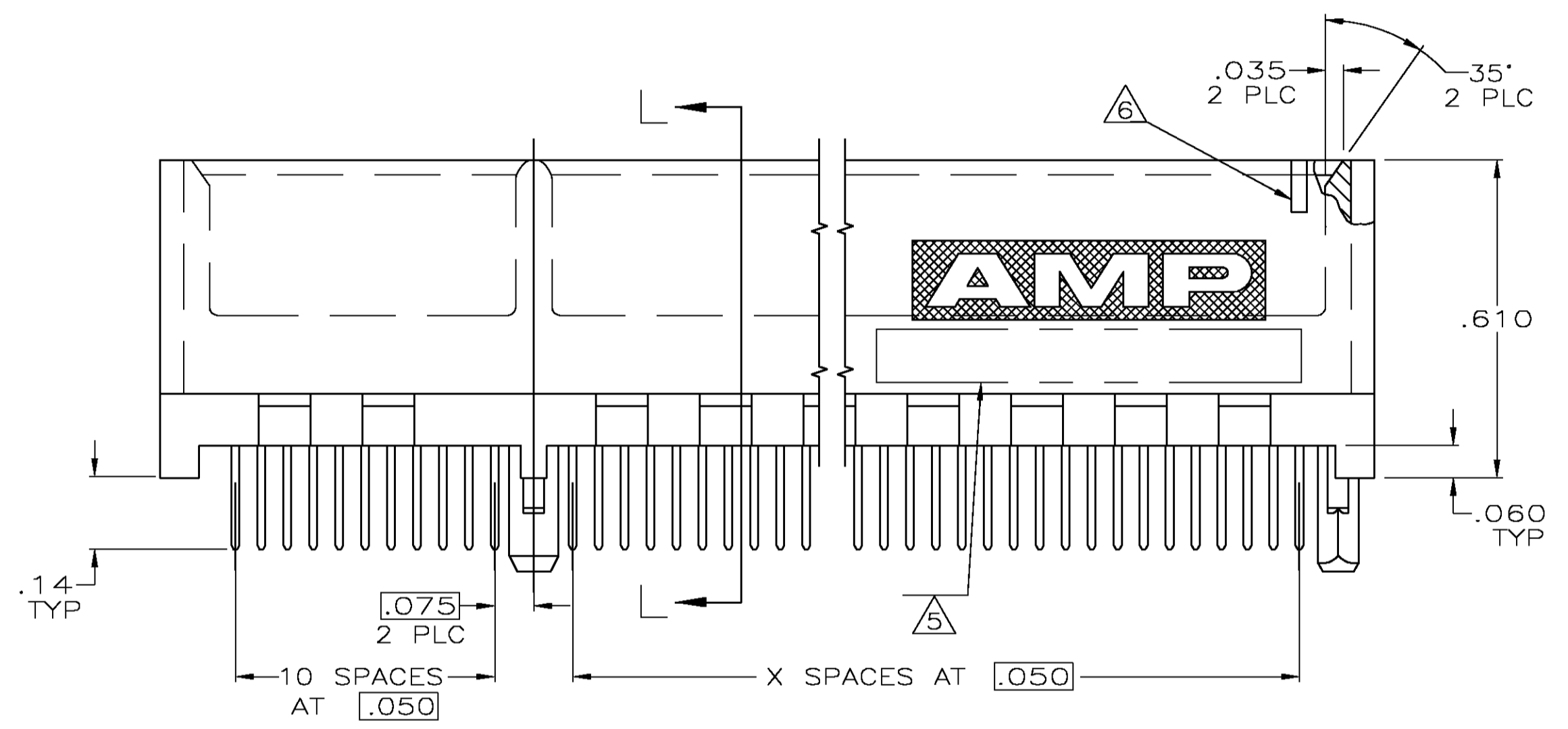
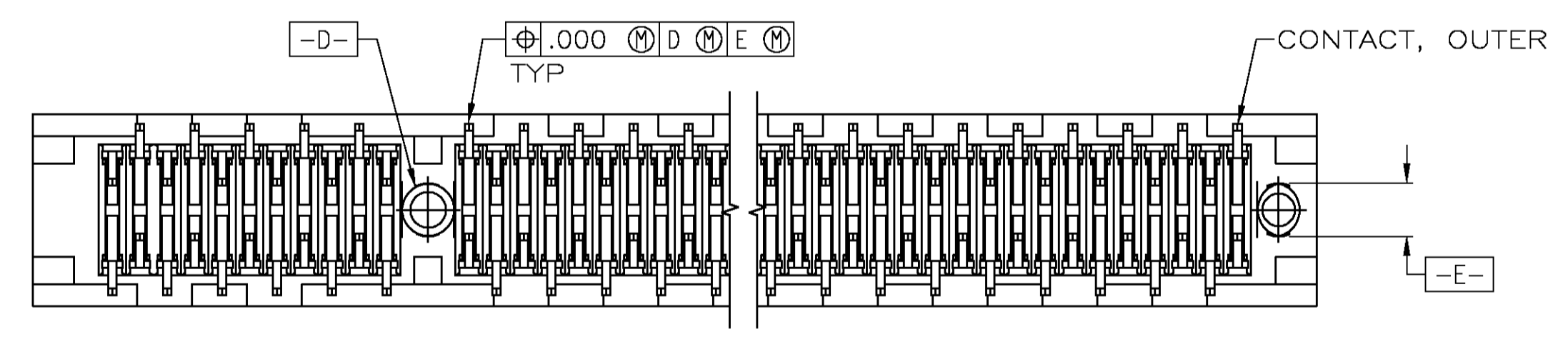


- ① HOUSING: HIGH TEMPERATURE THERMOPLASTIC. COLOR: BROWN.
- ② CONTACT: PHOSPHOR BRONZE.
- ③ CONTACT FINISH: .000100 MIN NICKEL ALL OVER. .00030 MIN GOLD OVER NICKEL IN CONTACT AREA. .000100 MIN MATTE TIN OVER NICKEL ON SOLDER TAILS.
- ④ DISTANCE FROM CONTACT POINT TO BOTTOM OF CARD SLOT.
- ⑤ AMP PART NUMBER, DATE CODE AND CSA LOGO MARKED IN APPROXIMATE AREA SHOWN.
- ⑥ PIN ONE IDENTIFIER NOTCH ONLY ON PART NUMBERS INDICATED.



SECTION L-L
SCALE 8:1



SEE SHEET 2 FOR HOLE PATTERNS

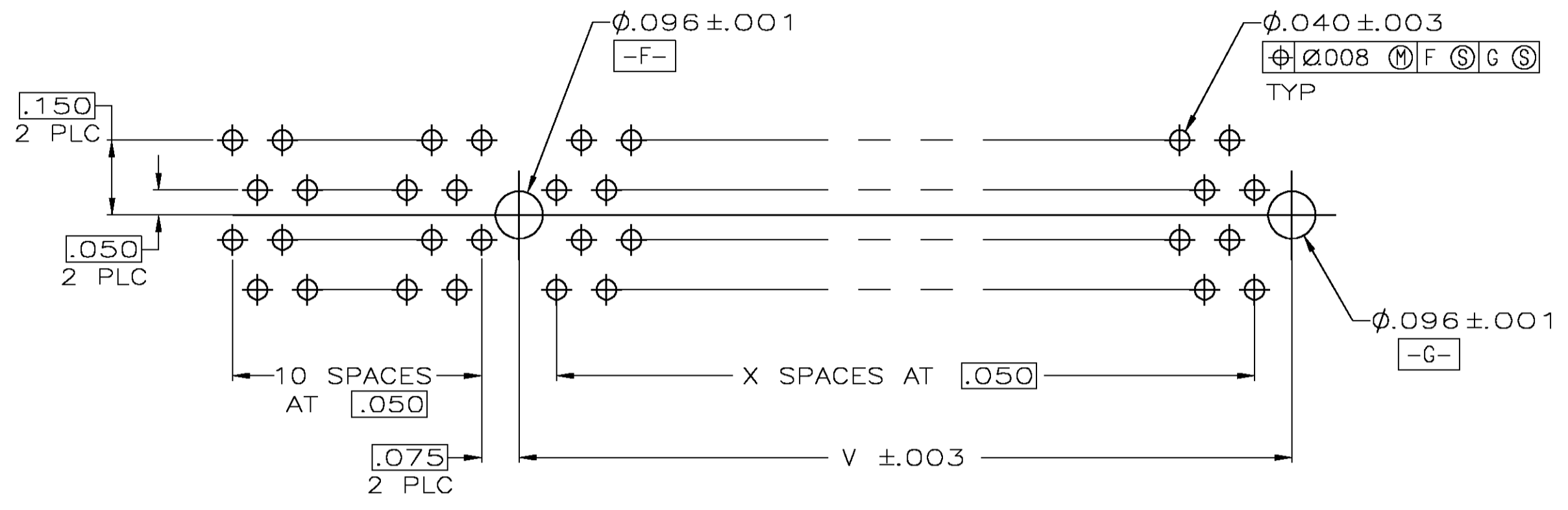
NO	B	.700	.660	1.49	1.1	23	5650181-3
NO	A	1.550	1.510	2.34	28	40	5650181-2
YES	A	2.350	2.310	3.14	44	56	5650181-1
PIN ONE IDENTIFIER	HOLE PATTERN	V	U	T	X	NO OF DUAL POSN	PART NUMBER

THIS DRAWING IS A CONTROLLED DOCUMENT.

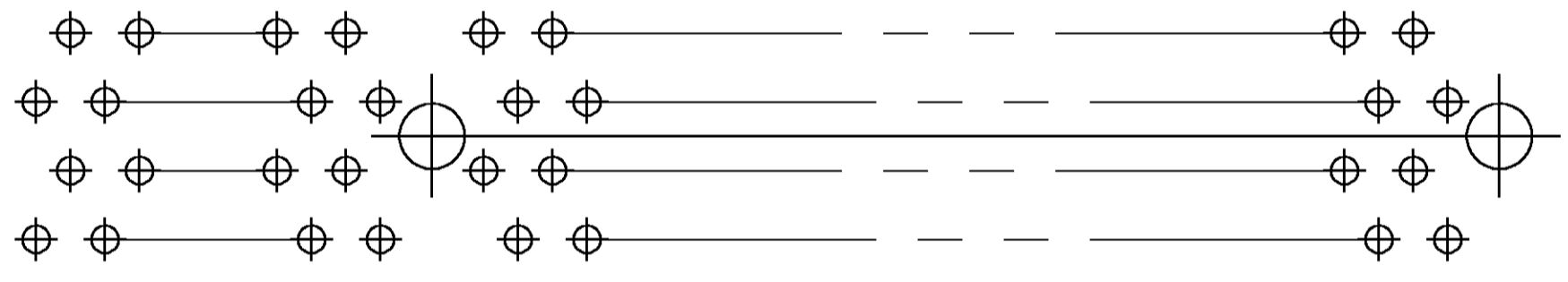
DIMENSIONS: INCHES	TOLERANCES UNLESS OTHERWISE SPECIFIED:	AL FRANTUM 24 JUN 05	AL FRANTUM 24 JUN 05	AL FRANTUM 24 JUN 05	AL FRANTUM 24 JUN 05
0 PLC ± -	1 PLC ± -	2 PLC ± .01	3 PLC ± .005	4 PLC ± -	ANGLES ± Z
MATERIAL	FINISH	PRODUCT SPEC 108-14034	APPLICATION SPEC 114-26012	SIZE A1	WEIGHT -
① ②	③	100779	5650181	CUSTOMER DRAWING	SCALE 4:1 SHEET 1 OF 2 REV 0

tyco Electronics Tyco Electronics Corporation
 Harrisburg, Pa 17105-3608

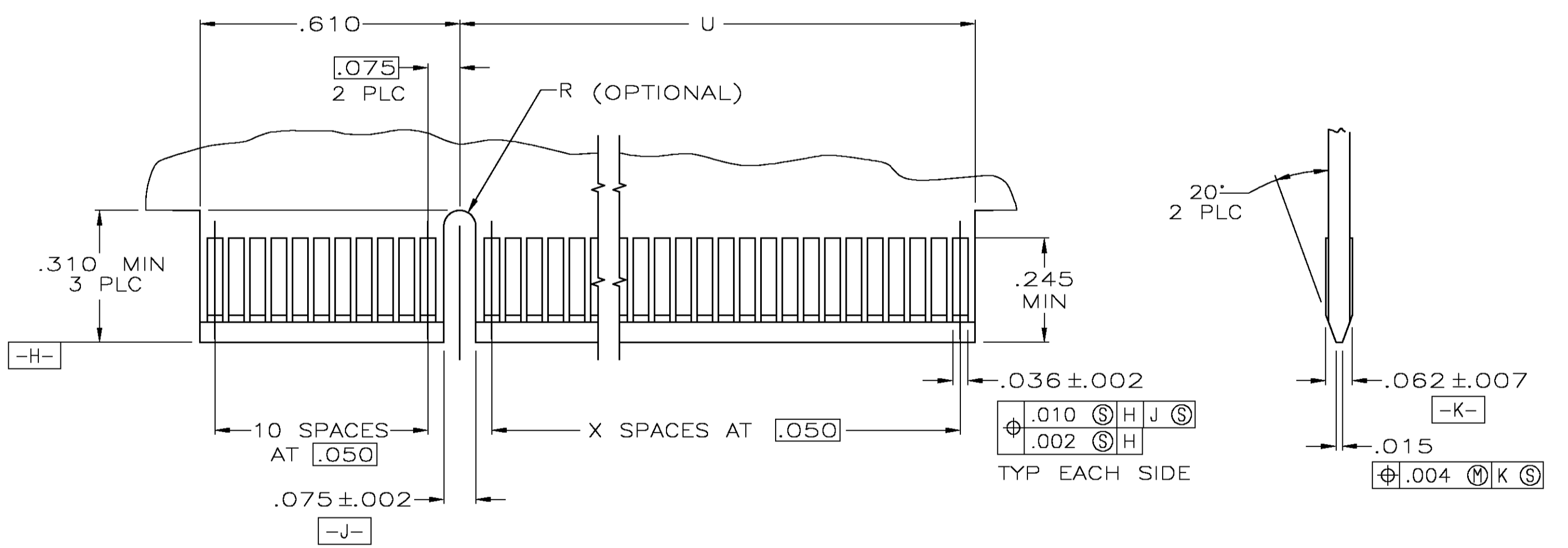
CONNECTOR ASSEMBLY, DUAL POSITION, .050 SERIES.



RECOMMENDED CONNECTOR MOUNTING HOLE PATTERN A
 (CONNECTOR SIDE SHOWN)



RECOMMENDED CONNECTOR MOUNTING HOLE PATTERN B
 (CONNECTOR SIDE SHOWN)



RECOMMENDED MATING BOARD EDGE CONFIGURATION

THIS DRAWING IS A CONTROLLED DOCUMENT.		DN AL FRANTUM 24 JUN 05		Tyco Electronics Corporation Harrisburg, Pa 17105-3608	
DIMENSIONS: INCHES		CHK AL FRANTUM 24 JUN 05		NAME	
TOLERANCES UNLESS OTHERWISE SPECIFIED:		APVD	PRODUCT SPEC		
0 PLC ± -			108-14034		
1 PLC ± .01			APPLICATION SPEC		
2 PLC ± .01			114-26012		
3 PLC ± .005			RESTRICTED TO		
4 PLC ± - Z			SIZE CAGE CODE DRAWING NO		
MATERIAL SEE SHEET 1		FINISH SEE SHEET 1	A1 00779 C=5650181		
		WEIGHT	CUSTOMER DRAWING		SCALE 4:1 SHEET 2 OF 2 REV 0