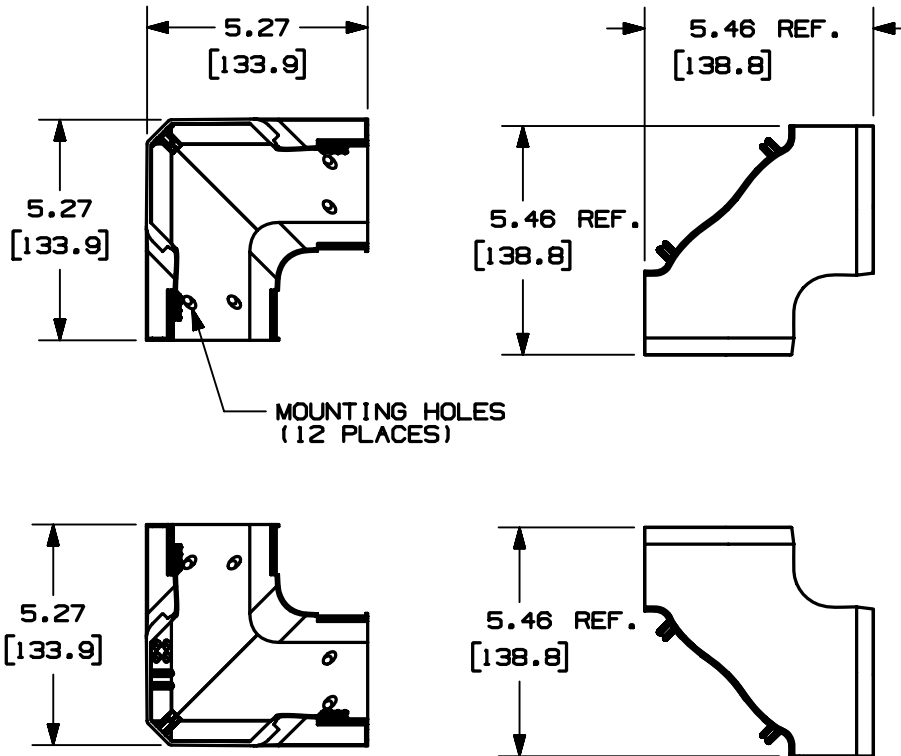


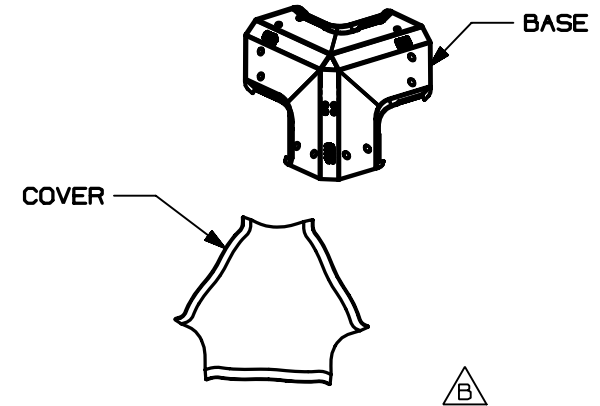
THIS COPY IS PROVIDED ON A RESTRICTED BASIS AND IS NOT TO BE USED IN ANY WAY DETRIMENTAL TO THE INTERESTS OF PANDUIT CORP.



PANDUIT PART NO.	WEIGHT
WCM35T	.51 LBS [ 231.56 ]

**NOTES:**

1. SEE CURRENT CATALOG FOR ADDITIONAL PART NUMBER SUFFIXES TO INDICATE COLOR AND/OR PACKAGE QUANTITY.
2. THIS PRODUCT IS INTENDED TO BE USED WITH PANDUIT TYPE WCM35 RACEWAY.
3. THIS PRODUCT IS FEATURED WITH 1" BEND RADIUS.
4. DIMENSIONS IN PARENTHESIS ARE IN METRIC.
5. NOMINAL WALL THICKNESS FOR BASE AND COVER IS .100" [ 2.54 ].



CAD FILENAME/LAYERS D37786CX\_DC\_WCM35T\_01A.PRT

**PANDUIT** CORP. TINLEY PARK, ILLINOIS  
 3.5 INCH COVE MOLDING  
 TEE FITTING (WCM35T)  
 CUSTOMER DRAWING

REV	DATE	BY	CHK	DESCRIPTION	ECN	CHK	CUST	SUP
2	10-20-03	JBN	BKR	B. REVISED GEOMETRY	37786-18	RGRO	RGRO	
-	-----	-----	-----	RELEASED TO PRODUCTION	-----	-----	-----	
1	11-12-02	JHEPRMHI		A. REVISED PART DESCRIPTION	37786-18	RGRO	RGRO	
R	04-15-02	JBN	BKR	DRAWING RELEASED				

UNLESS OTHERWISE SPECIFIED, DIMENSIONAL TOLERANCES ARE: (.X)± (,.XXX) ±.015 (.38) (.XX)±.03 (.8) ANGLES ±		UNLESS OTHERWISE SPECIFIED, ALL DIMENSIONS ARE GIVEN IN INCHES, THIRD ANGLE PROJECTION.	
DRAWN BY JBN	MAT'L'S: PVC	SCALE NONE	
DATE 04-15-02		DRAWING NO. 37786-18	DWG A
CHK'D BKR			SIZE A