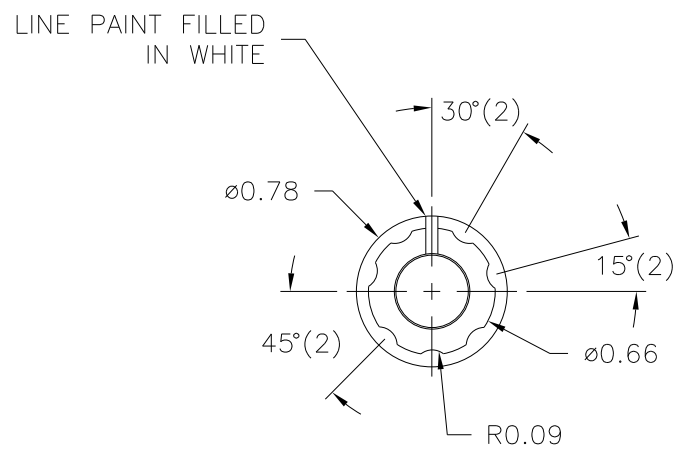
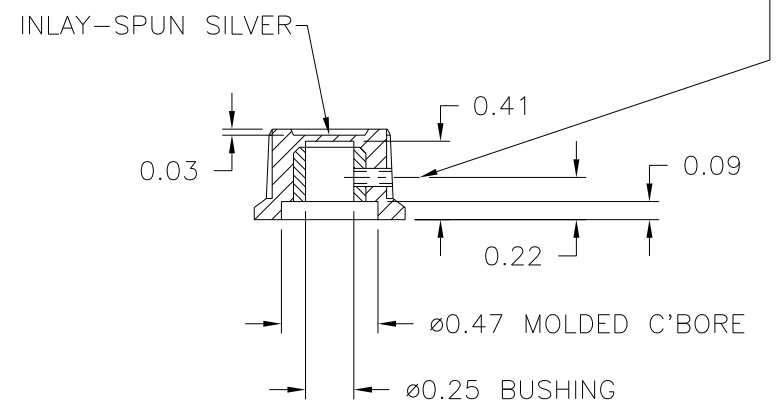
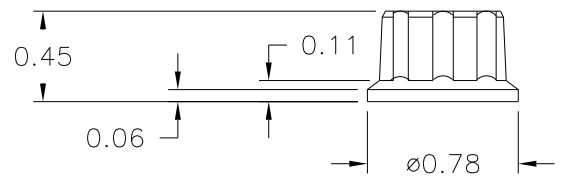


THIS DRAWING IS THE PROPERTY OF DAVIES MOLDING COMPANY, IS SUBMITTED SOLELY AS A DESIGN OR ENGINEERING PROJECT. WE ACCEPT NO RESPONSIBILITY WHATSOEVER FOR THE PRACTICAL APPLICATION OF THE PIECES MADE TO THIS DESIGN.



Ⓐ Ⓑ  
M3 X 0.5 TAPPED SET SCREW HOLE  
FULL TREAD REQUIRED IN BODY OF KNOB  
M3 X 0.5 X 4 LG. SLOTTED SET SCREW  
H.H. BRASS



Ⓐ Ⓑ

MATERIAL: PHENOLIC  
COLOR: BLACK

TOLERANCES: UNLESS OTHERWISE SPECIFIED	DO NOT SCALE DRAWING	-	REMOVED ALTERNATE SET SCREW	JAM	8/6/01
DECIMALS: X.XXX ± .005 X.XX ± .015	MM: X.XX ± 0.15MM X.X ± 0.4MM	B	ALTERNATE WAS METRIC	JAM	6/5/01
FRACTIONS ± 1/64	ANG. ± 1°	A	ADDED SET SCREW DETAIL	RF	7/7/98
					CHANGES