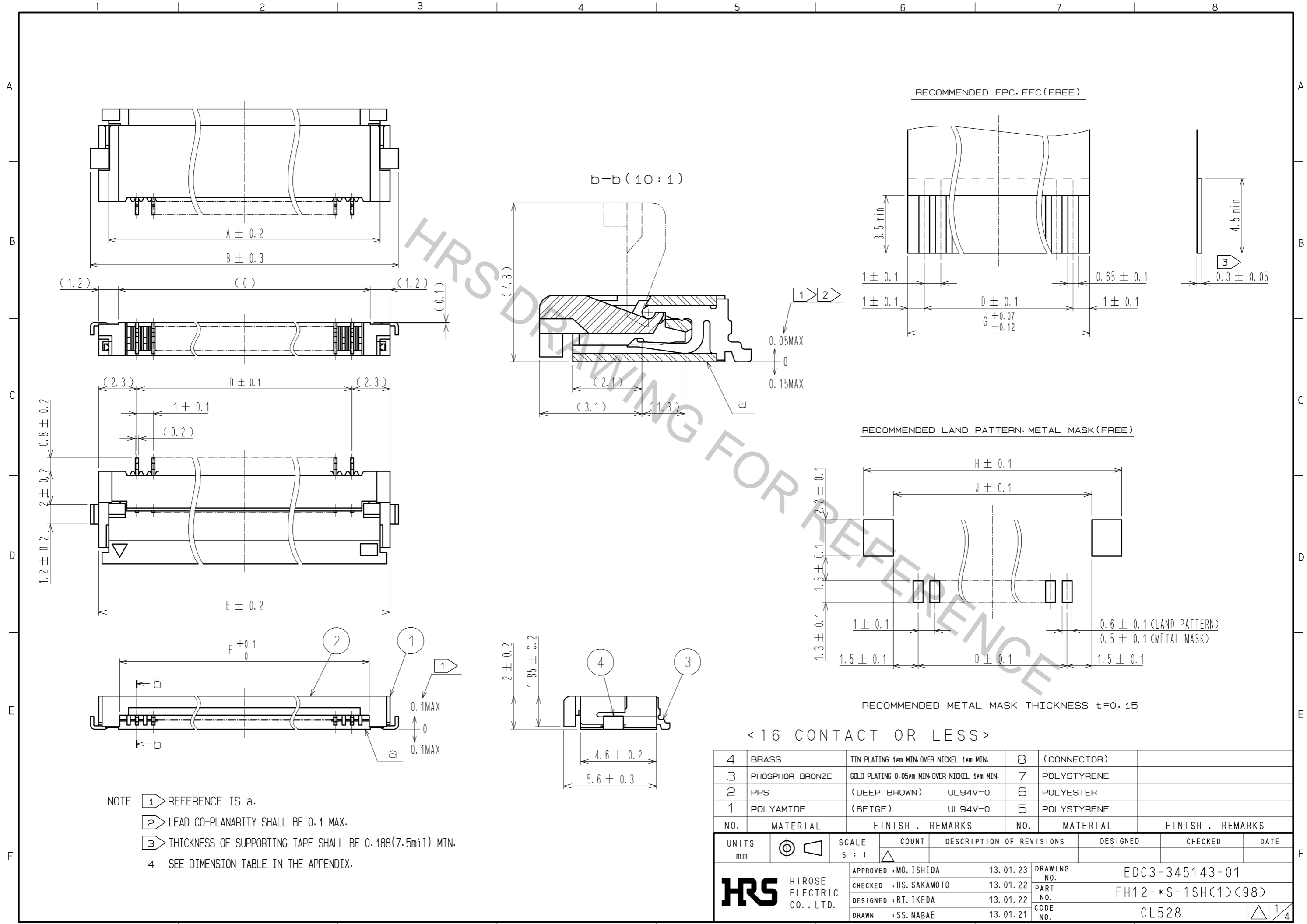


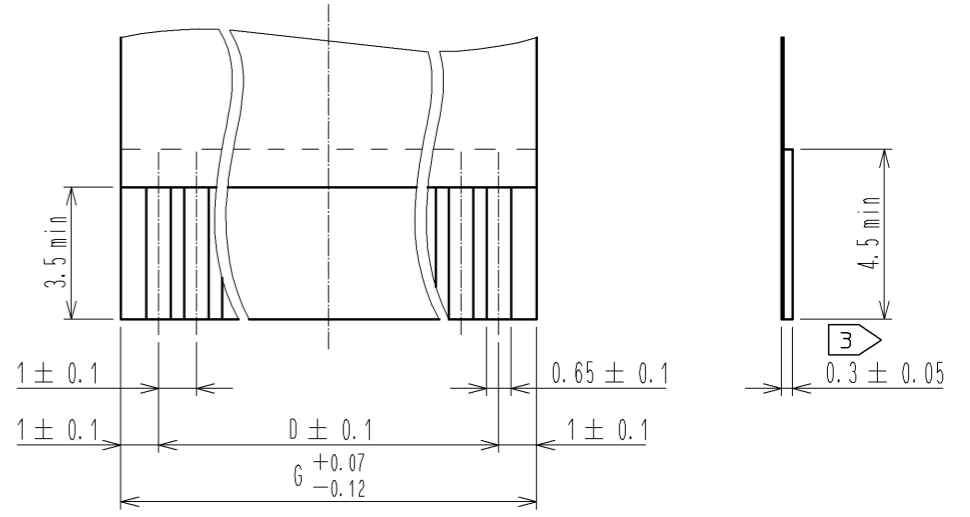
Apr.1.2017 Copyright 2017 HIROSE ELECTRIC CO., LTD. All Rights Reserved.



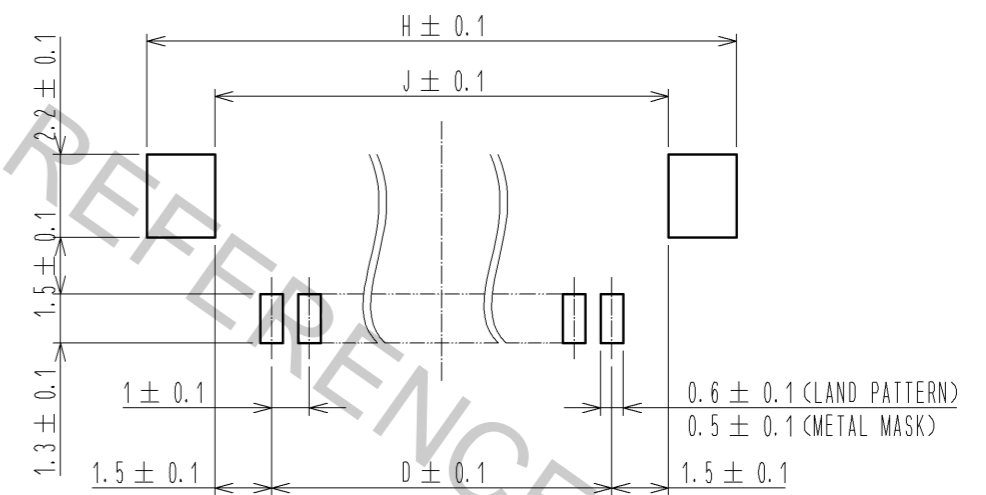
NOTE

- ① REFERENCE IS a.
- ② LEAD CO-PLANARITY SHALL BE 0.1 MAX.
- ③ THICKNESS OF SUPPORTING TAPE SHALL BE 0.188(7.5mil) MIN.
- ④ SEE DIMENSION TABLE IN THE APPENDIX.

RECOMMENDED FPC·FFC(FREE)



RECOMMENDED LAND PATTERN·METAL MASK(FREE)

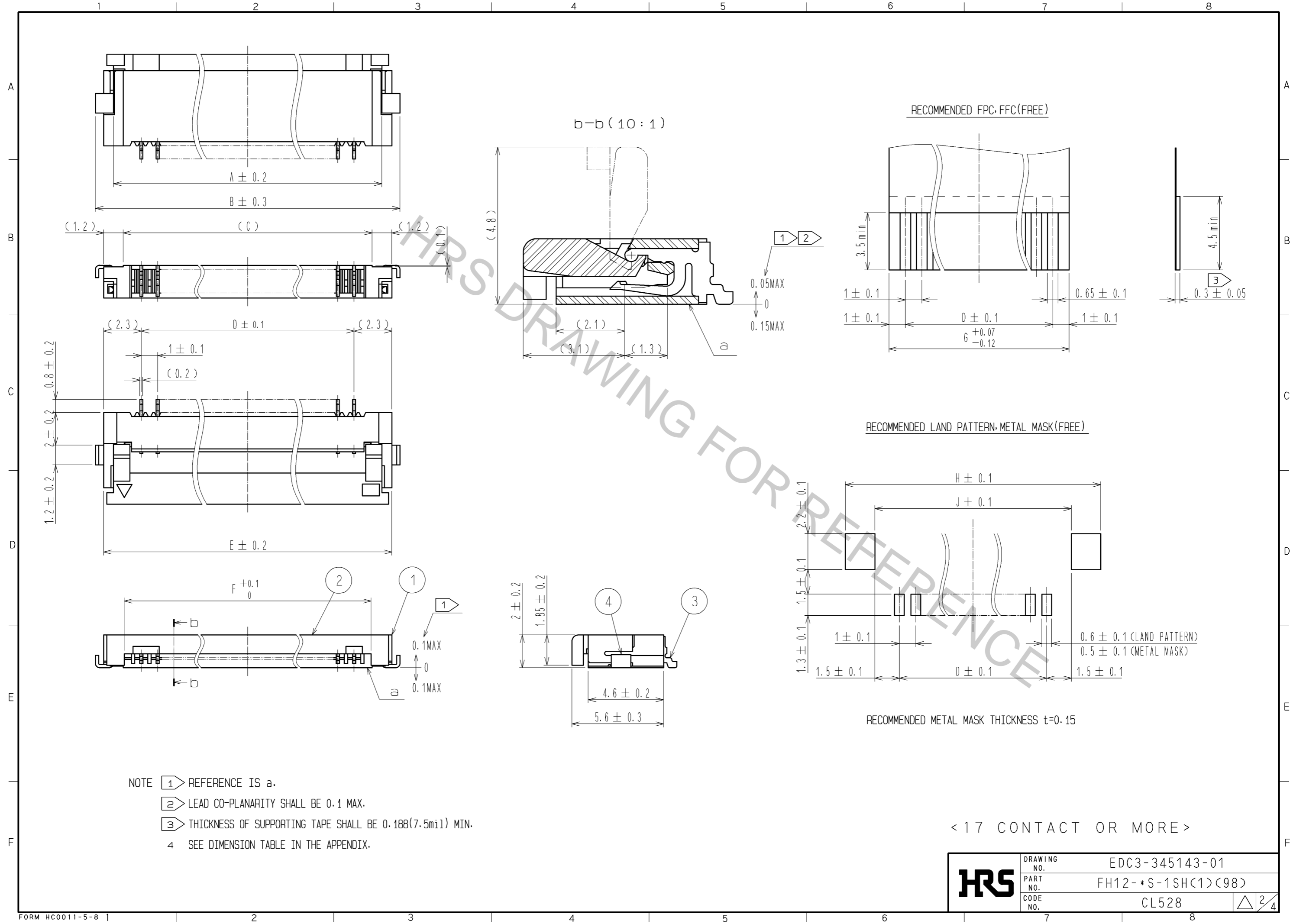


RECOMMENDED METAL MASK THICKNESS t=0.15

< 16 CONTACT OR LESS >

4	BRASS	TIN PLATING 1μm MIN-OVER NICKEL 1μm MIN.	8	(CONNECTOR)	
3	PHOSPHOR BRONZE	GOLD PLATING 0.05μm MIN-OVER NICKEL 1μm MIN.	7	POLYSTYRENE	
2	PPS	(DEEP BROWN) UL94V-0	6	POLYESTER	
1	POLYAMIDE	(BEIGE) UL94V-0	5	POLYSTYRENE	
NO.	MATERIAL	FINISH . REMARKS	NO.	MATERIAL	FINISH . REMARKS
UNITS	mm	SCALE	5 : 1	COUNT	△
		APPROVED : MO. ISHIDA 13.01.23 CHECKED : HS. SAKAMOTO 13.01.22 DESIGNED : RT. IKEDA 13.01.22 DRAWN : SS. NABAE 13.01.21		DRAWING NO. EDC3-345143-01 PART NO. FH12-*S-1SH(1)(98) CODE NO. CL528	

Apr.1.2017 Copyright 2017 HIROSE ELECTRIC CO., LTD. All Rights Reserved.



- NOTE
- 1 REFERENCE IS a.
 - 2 LEAD CO-PLANARITY SHALL BE 0.1 MAX.
 - 3 THICKNESS OF SUPPORTING TAPE SHALL BE 0.188(7.5mil) MIN.
 - 4 SEE DIMENSION TABLE IN THE APPENDIX.

< 17 CONTACT OR MORE >

HRS	DRAWING NO.	EDC3-345143-01
	PART NO.	FH12-*S-1SH(1)(98)
	CODE NO.	CL528
		2/4

Apr.1.2017 Copyright 2017 HIROSE ELECTRIC CO., LTD. All Rights Reserved.

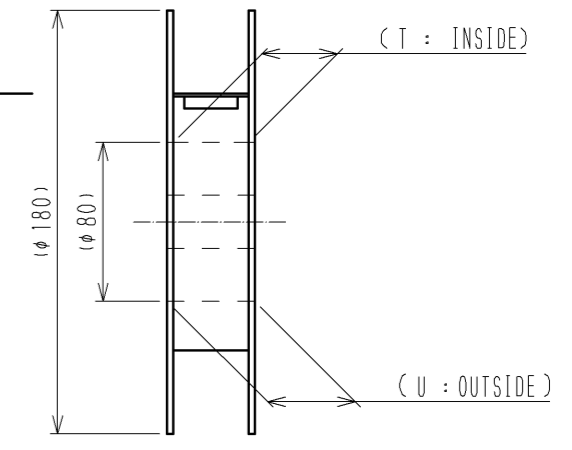
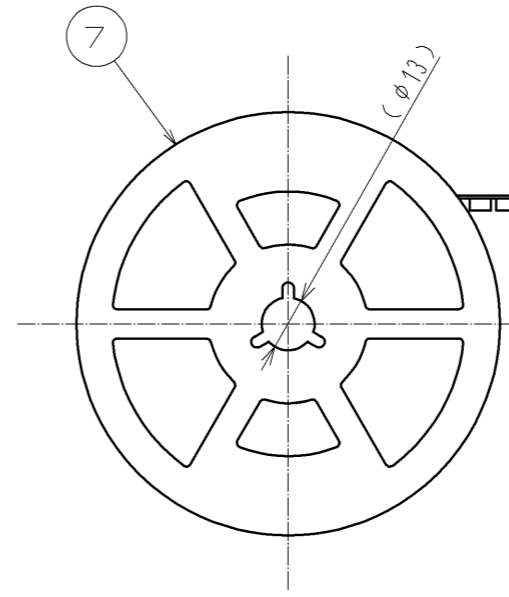
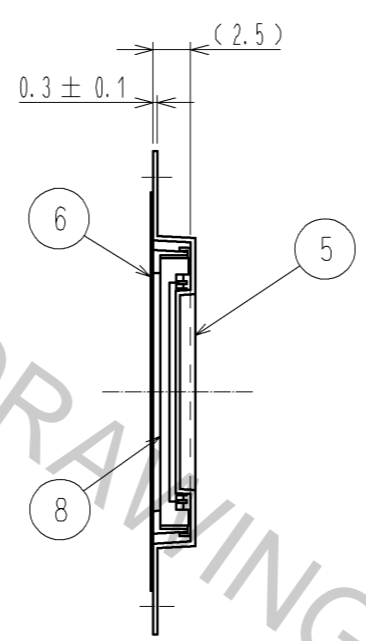
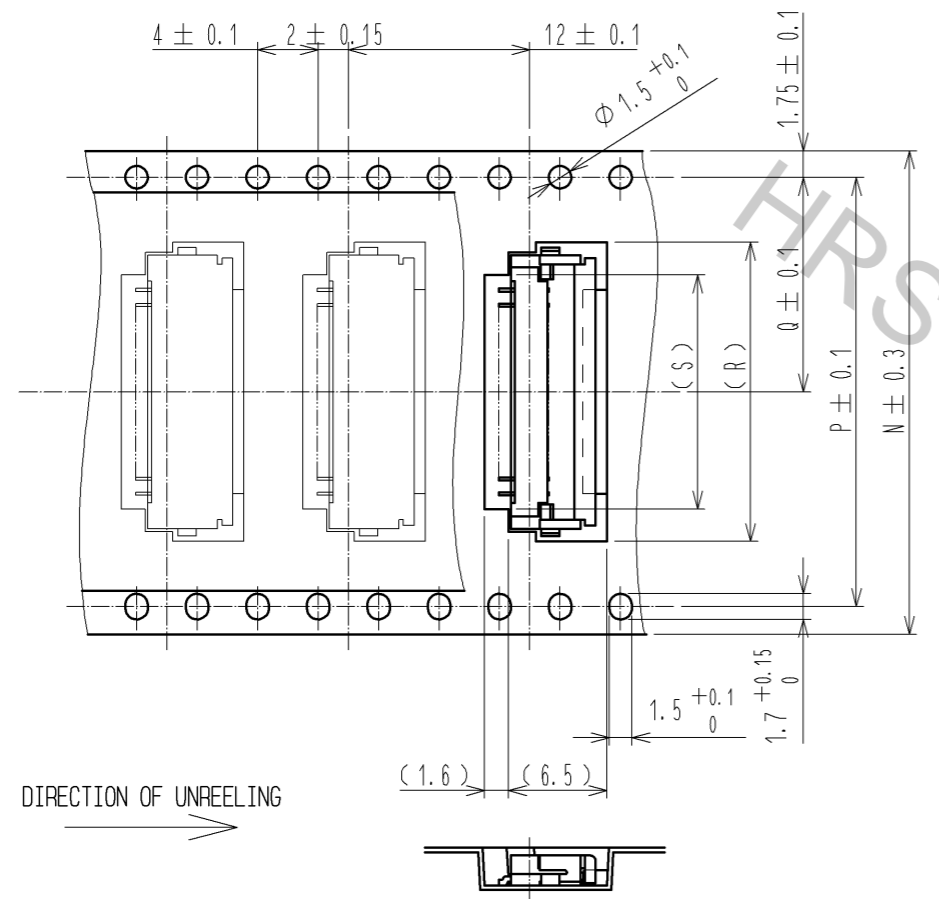
1 2 3 4 5 6 7 8

A
B
C
D
E
F

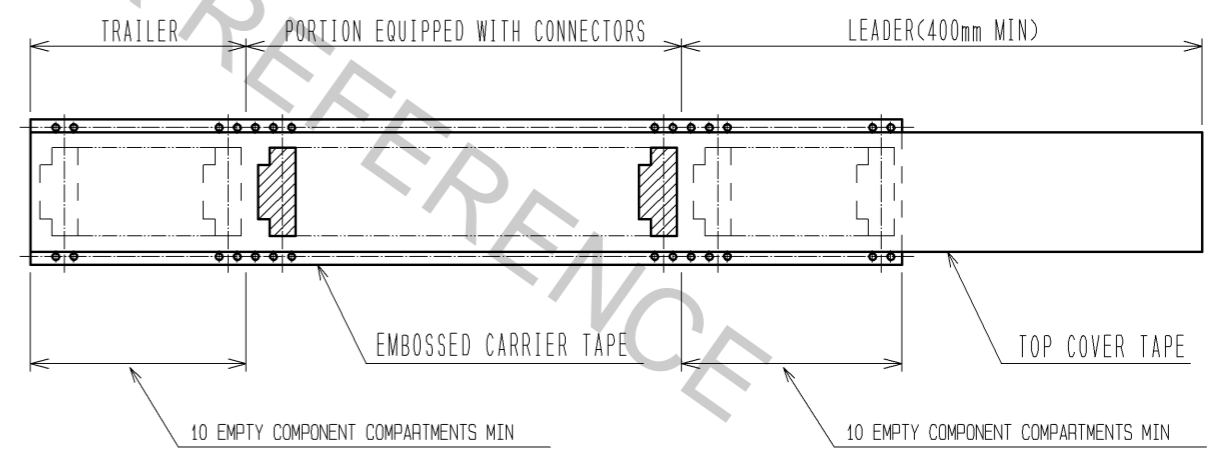
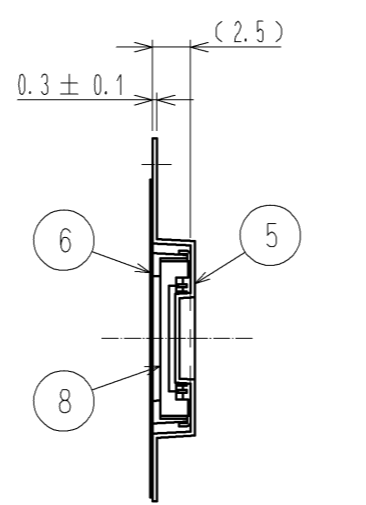
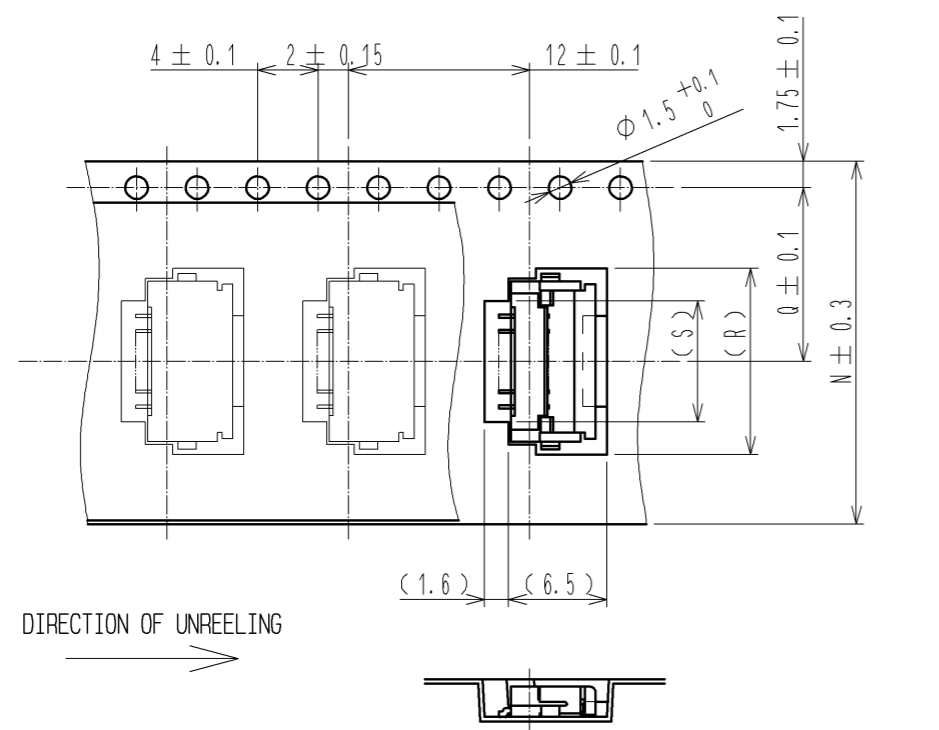
EMBOSSED CARRIER TAPE DIMENSION(2:1)

REEL DIMENSION(FREE)

TAPE WIDTH:32mm MIN



TAPE WIDTH:24mm MAX



NOTE 5 THE DIMENSIONS IN PARENTHESSES ARE FOR REFERENCE.
6 1 REEL : 500 CONNECTORS.
7 SEE DIMENSION TABLE IN THE APPENDIX.

<DRAWING FOR PACKING>

HRS	DRAWING NO.	EDC3-345143-01
	PART NO.	FH12-*S-1SH(1)(98)
	CODE NO.	CL528
		3/4

DIMENSION TABLE OF CONNECTOR, FPC, FFC, LAND PATTERN AND METAL MASK

PART NO.	CODE NO.	*	A	B	C	D	E	F	G	H	J
FH12- 5S-1SH(1)(98)	CL528-0029-9-98	5	7.4	9.6	6.2	4	8.6	6.07	6	10.6	7
FH12- 6S-1SH(1)(98)	CL528-0030-8-98	6	8.4	10.6	7.2	5	9.6	7.07	7	11.6	8
FH12- 7S-1SH(1)(98)	CL528-0031-0-98	7	9.4	11.6	8.2	6	10.6	8.07	8	12.6	9
FH12- 8S-1SH(1)(98)	CL528-0032-3-98	8	10.4	12.6	9.2	7	11.6	9.07	9	13.6	10
FH12- 9S-1SH(1)(98)	CL528-0033-6-98	9	11.4	13.6	10.2	8	12.6	10.07	10	14.6	11
FH12-11S-1SH(1)(98)	CL528-0034-9-98	11	13.4	15.6	12.2	10	14.6	12.07	12	16.6	13
FH12-12S-1SH(1)(98)	CL528-0035-1-98	12	14.4	16.6	13.2	11	15.6	13.07	13	17.6	14
FH12-16S-1SH(1)(98)	CL528-0036-4-98	16	18.4	20.6	17.2	15	19.6	17.07	17	21.6	18
FH12-17S-1SH(1)(98)	CL528-0037-7-98	17	19.4	21.6	18.2	16	20.6	18.07	18	22.6	19
FH12-22S-1SH(1)(98)	CL528-0038-0-98	22	24.4	26.6	23.2	21	25.6	23.07	23	27.6	24
FH12-26S-1SH(1)(98)	CL528-0039-2-98	26	28.4	30.6	27.2	25	29.6	27.07	27	31.6	28

DIMENSION TABLE OF DRAWING FOR PACKING

PART NO.	CODE NO.	*	N	P	Q	R	S	T	U
FH12- 5S-1SH(1)(98)	CL528-0029-9-98	5	16	—	7.5	10.3	6	17.4	21.4
FH12- 6S-1SH(1)(98)	CL528-0030-8-98	6	24	—	11.5	11.3	7	25.4	29.4
FH12- 7S-1SH(1)(98)	CL528-0031-0-98	7	24	—	11.5	12.3	8	25.4	29.4
FH12- 8S-1SH(1)(98)	CL528-0032-3-98	8	24	—	11.5	13.3	9	25.4	29.4
FH12- 9S-1SH(1)(98)	CL528-0033-6-98	9	24	—	11.5	14.3	10	25.4	29.4
FH12-11S-1SH(1)(98)	CL528-0034-9-98	11	24	—	11.5	16.3	12	25.4	29.4
FH12-12S-1SH(1)(98)	CL528-0035-1-98	12	24	—	11.5	17.3	13	25.4	29.4
FH12-16S-1SH(1)(98)	CL528-0036-4-98	16	32	28.4	14.2	21.3	17	33.4	37.4
FH12-17S-1SH(1)(98)	CL528-0037-7-98	17	44	40.4	20.2	22.3	18	45.4	49.4
FH12-22S-1SH(1)(98)	CL528-0038-0-98	22	44	40.4	20.2	27.3	23	45.4	49.4
FH12-26S-1SH(1)(98)	CL528-0039-2-98	26	44	40.4	20.2	31.3	27	45.4	49.4

* : NUMBER OF CONTACTS



DRAWING NO.	EDC3-345143-01
PART NO.	FH12-*S-1SH(1)(98)
CODE NO.	CL528

