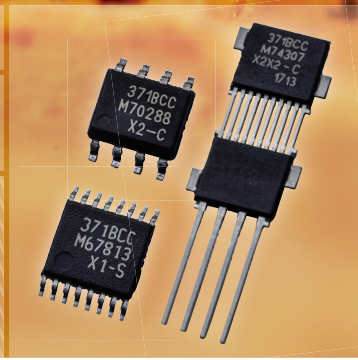




MLX90371

TRIAxis® GEN III

POSITION SENSOR



Thanks to its magnetic compass the fascinating honey bee has the ability to perceive the omnipresent magnetic field (MF) of the Earth. This magnetic field sensitivity matches this wonderful creature with our Triaxis® magnetic sensors.

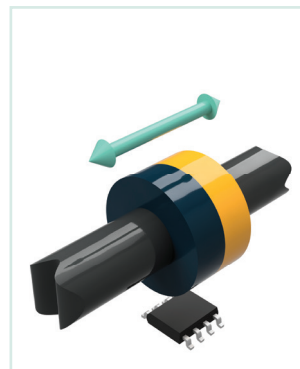
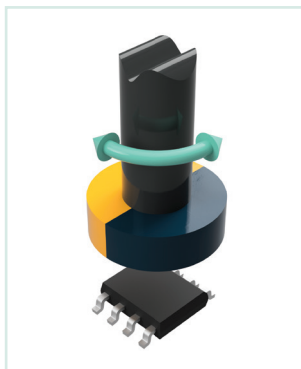
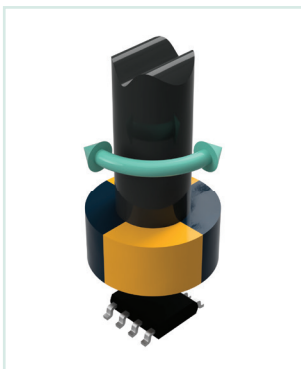
MAGNETIC FIELD SENSOR

The MLX90371 is the newest addition to the Melexis position sensing portfolio bringing stray field immunity to the Triaxis® family. Featuring an analog or PWM output signal the MLX90371 supports a wide variety of automotive position sensing applications from powertrain actuators to human machine interfaces.

MLX90371



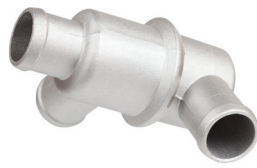
Building upon the long legacy of the Triaxis® sensors the MLX90371 brings substantial improvements over the previous generation. The new stray field immune mode drastically reduces or eliminates the effect of stray fields from other magnets or current carrying conductors found in electrified vehicles and supports both on-axis rotary or linear motion with a four-pole or two-pole magnet, respectively. For customers not requiring stray field compatibility, or those requiring off-axis sensing, the MLX90371 is also backwards compatible in both pinout and magnetic design to the MLX90364 and MLX90365 that utilize a two-pole magnet. Additionally many aspects of the sensor are improved including EMC capability, higher temperature operation (up to 160°C ambient), and thermal drift performance. Finally with its ASIL-B (SEooC) readiness, and fully-redundant dual-die package option, the MLX90371 is well placed to support the majority of automotive sensing applications.



- ✓ Highly flexible and robust position sensor
- ✓ Stray field immune (up to 4kA/m) mode of operation
- ✓ Analog or PWM output
- ✓ EMC capable to automotive OEM requirements
- ✓ ASIL-B (SEooC) component
- ✓ SOIC-8, single-die package
- ✓ TSSOP-16, redundant dual-die package
- ✓ DMP-4, single-die PCB-less package
- ✓ In-application programmable
- ✓ $T_a = -40 \dots 160^\circ\text{C}$

AUTOMOTIVE SENSING APPLICATIONS

The MLX90371 lends itself to a wide variety of automotive position sensing applications from powertrain actuators to HMI like shifters. The new stray field immune mode reduces design constraints especially in electrified vehicles and meets OEM requirements for stray fields up to 4kA/m. Additionally, the 160°C temperature capability allows for use in actuators exposed to hot environments like a turbocharger wastegate while the enhanced linearization capability minimizes accuracy errors caused by tolerances in the mechanical assembly.



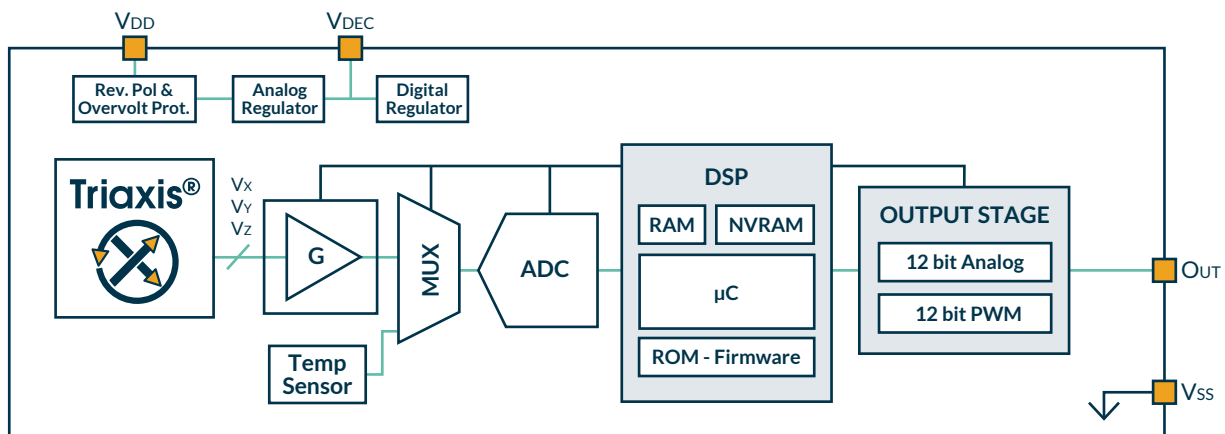
MULTIPLE DIFFERENT SENSING MODES:

	Motion				
	On-Axis Rotary		Off-Axis Rotary	Linear	
Stray Field Immune	Yes	No	No	Yes	No
Magnet Poles	4	2	2	2	2
Range	180 deg	360 deg	360 deg	15mm+	25mm+

MAIN APPLICATIONS

1. Automotive Powertrain
 - Electric throttle body sensor
 - Coolant valve sensor
 - Turbo wastegate sensor
2. Human-Machine Interfaces
 - Shifters (rotary knob and lever type)
 - Selection (menu, volume) knobs
3. Automotive Transmission
 - Clutch and fork position sensing
 - Lever/slide switch linear stroke
4. Automotive Chassis & Safety
 - Ride-height sensor
 - Fuel level sensor
 - Accelerator, brake, and clutch sensor

BLOCK DIAGRAM



The above information is "as is" and believed to be correct and accurate. Melexis disclaims any and all liability in connection with or arising out of the furnishing, application or use of the information or products; any and all liability, including without limitation, special, consequential or incidental damages and any and all warranties, express, statutory, implied, or by description, including warranties of fitness for particular purpose, non-infringement and merchantability. Melexis reserves the right to change it at any time and without notice. Users should obtain the latest version of the information to verify it is current. Users must further determine the suitability of a product for its application, including the level of reliability required and determine whether it is fit for a particular purpose. Export control regulations may apply and export might require a prior authorization from competent authorities. Melexis' products are intended for use in normal commercial applications. Unless otherwise agreed upon in writing, the products are not designed, authorized or warranted to be suitable in applications requiring extended temperature range and/or unusual environmental requirements. High reliability applications, such as medical life-support or life-sustaining equipment are specifically not recommended by Melexis. Melexis' products are sold under the Melexis' Terms of Sale, which can be found at <https://www.melexis.com/en/legal/terms-and-conditions>.