

NOTES:

- MATERIALS:  
SHIELD -- DEEP DRAW STEEL.  
HOUSING -- GLASS FILLED POLYMER, NATURAL (WHITE), UL 94v-0.  
CONTACTS -- COPPER ALLOY.
- PLATING: SEE SHEET 2.
- PRODUCT CONFORMS TO MOLEX PRODUCT SPECIFICATION NUMBER PS-74320-001.
- SEE SHEET 2 FOR RECOMMENDED PANEL CUT-OUT AND P.C.B. LAYOUT.
- PARTS WILL BE PACKAGED IN TRAYS PER PK-74320-010.
- PRODUCT CONFORMS TO DDWG DVI SPECIFICATION. REFER TO THIS SPECIFICATION FOR CONNECTOR MATING DIMENSIONS.
- RECOMMENDED MOUNTING HARDWARE IS MOLEX P/N 71781-0001 OR 82007-0300 OR 88780-6066. REFER TO PRODUCT SPECIFICATION NUMBER PS-74320-001 FOR THE APPLICATION TORQUE REQUIREMENT FOR ASSEMBLING MOUNTING HARDWARE.

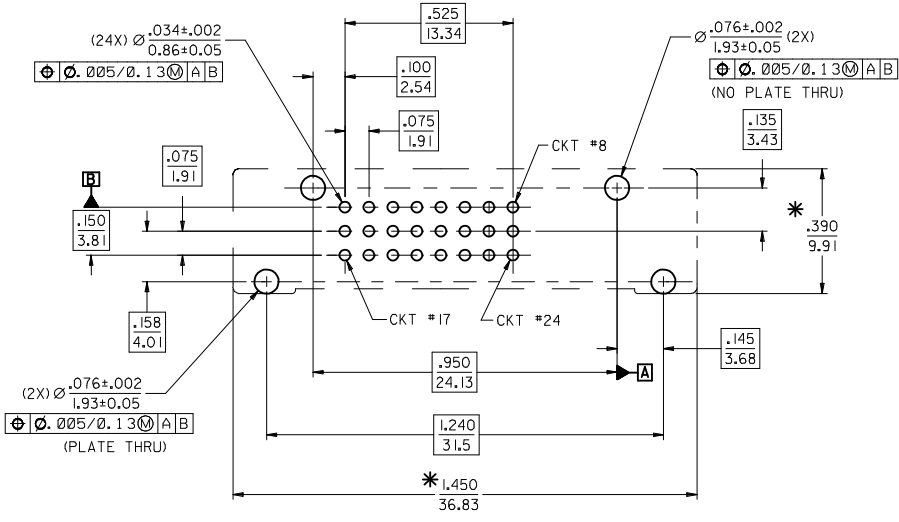
PART NUMBER	DIMn 'A'	DIMn 'B'	PLATING OPTION
74320-5000	.092/2.34	.080/2.03	1
74320-5001	.050/1.27	.080/2.03	1
74320-5004	.092/2.34	.080/2.03	2
74320-5005	.050/1.27	.080/2.03	2
74320-5006	.110/2.79	.110/2.79	2

REV	DESCRIPTION
REVISE	EC NO: SH2010-0059
DRWN: XJSONG	2009/08/18
CHKD: XJSONG	2009/08/19
APPR: RZHANG	2009/09/28

QUALITY SYMBOLS	GENERAL TOLERANCES (UNLESS SPECIFIED)
▽=0	mm INCH
▽=0	4 PLACES ± --- ± ---
	3 PLACES ± 0.25 ± .010
	2 PLACES ± 0.25 ± .010
	1 PLACE ± 0.25 ± .010
	ANGULAR ± ---°

DIMENSION STYLE	SCALE	DESIGN UNITS	THIRD ANGLE PROJECTION
IN/MM	INCH	INCH	THIRD ANGLE PROJECTION

TITLE	MATERIAL NO.	DOCUMENT NO.	SHEET NO.
DVI-DIGITAL VERTICAL RECEPTACLE CONNECTOR	SEE CHART	SD-74320-004	1 OF 2



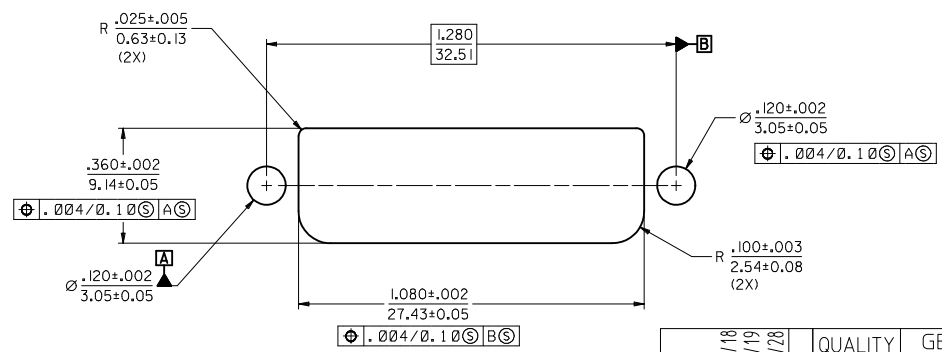
RECOMMENDED PCB LAYOUT

\* THESE DIMENSIONS REPRESENT CONNECTOR OVERLAY ON PCB.

**PLATING OPTIONS:**

PLATING OPTION #1:  
 OUTER SHIELD -- 150u"/3.75um MIN. BRIGHT TIN OVER  
 50u"/1.27um MIN. NICKEL OVER COPPER FLASH.  
 .075"/1.91mm CONTACTS -- 30u"/0.75um MIN. SELECT GOLD AND  
 100u"/2.50um MIN. SELECT PURE TIN  
 OVER 50u"/1.27um MIN. NICKEL OVERALL.

PLATING OPTION #2:  
 OUTER SHIELD -- 150u"/3.75um MIN. BRIGHT TIN OVER  
 50u"/1.27um MIN. NICKEL OVER COPPER FLASH.  
 .075"/1.91mm CONTACTS -- SELECT GOLD FLASH AND  
 100u"/2.50um MIN. SELECT PURE TIN  
 OVER 50u"/1.27um MIN. NICKEL OVERALL.



RECOMMENDED PANEL CUT-OUT  
 PANEL THICKNESS: .030/0.76 - .040/1.02

SEE SHEET1	REV	DESCRIPTION
EC NO: SHZ010-0059	2009/08/18	DRWN:XJSONG
2009/08/19	CHKD:XJSONG	
2009/09/28	APPR:RZHANG	

QUALITY SYMBOLS	▽=0
	∇=0

GENERAL TOLERANCES (UNLESS SPECIFIED)	DRAWN BY	DATE	TITLE
4 PLACES ± --- ± ---	MOSULL IV	99/02/12	DVI-DIGITAL VERTICAL RECEPTACLE CONNECTOR
3 PLACES ± 0.25 ± 0.10	CHECKED BY	DATE	
2 PLACES ± 0.25 ± 0.10	MOSULL IV	99/02/12	MOLEX INCORPORATED
1 PLACE ± 0.25 ± 0.10	APPROVED BY	DATE	
ANGULAR ± ---°	NELLIGAN	99/02/15	DOCUMENT NO. SD-74320-004
DRAFT WHERE APPLICABLE MUST REMAIN WITHIN DIMENSIONS	MATERIAL NO.	SEE CHART	SHEET NO. 2 OF 2

DIMENSION STYLE	SCALE	DESIGN UNITS	THIRD ANGLE PROJECTION
IN/MM	1:1	INCH	

SIZE	THIS DRAWING CONTAINS INFORMATION THAT IS PROPRIETARY TO MOLEX INCORPORATED AND SHOULD NOT BE USED WITHOUT WRITTEN PERMISSION	
A3		