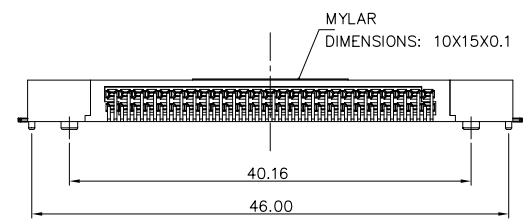
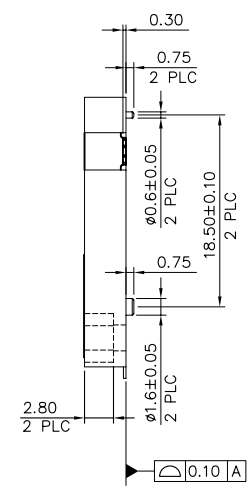
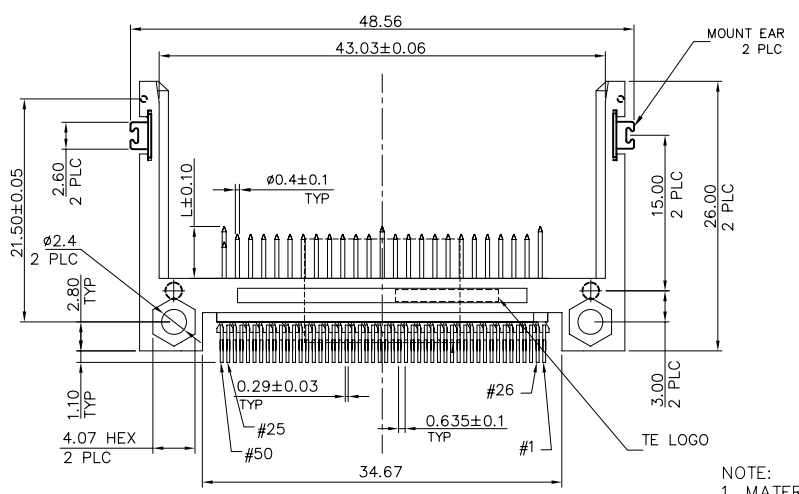
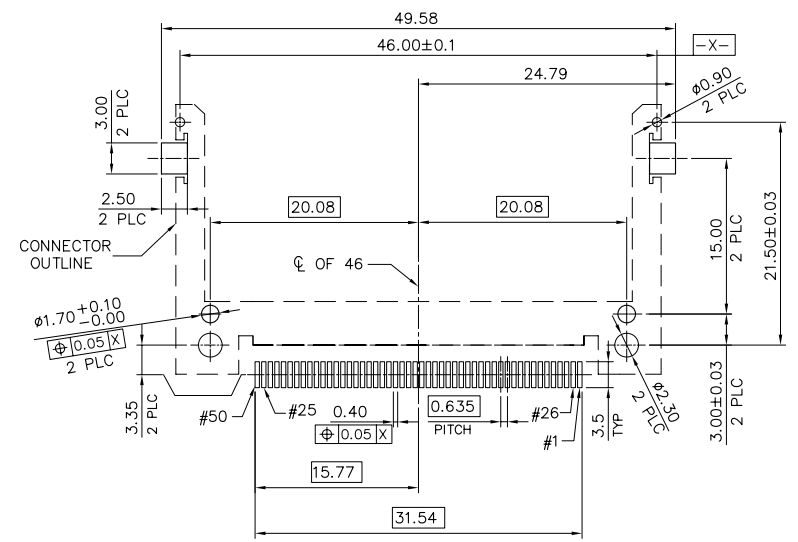
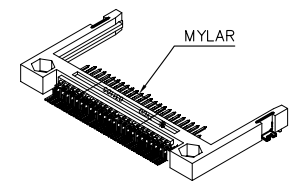
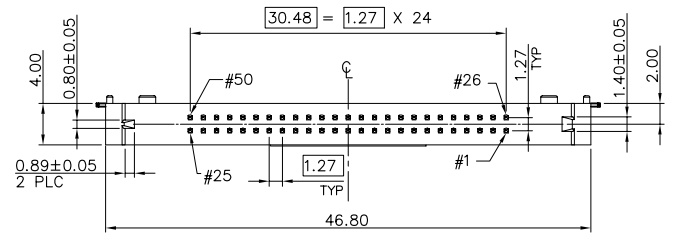


LOC		DIST		REVISIONS			
P	LTR	DESCRIPTION		DATE	DWN	APVD	
D2		REVISED (ECR-12-008795)		31MAY12	JL	WK	



- NOTE:
 1. MATERIAL:
 HOUSING: THERMOPLASTIC., UL 94V-0, COLOR: NATURAL.
 CONTACT: BRASS, THICKNESS=0.25mm.
 MOUNT EAR: BRASS, THICKNESS=0.30mm.
 MYLAR: POLYETHYLENE
 2. FINISH:
 CONTACT: GOLD PLATED (SEE TABLE) IN CONTACT AREA,
 GOLD OR TIN PLATING (SEE TABLE) ON SOLDER TAILS,
 1.27um [50u"] MIN. NICKEL UNDERPLATED ALL OVER.
 MOUNT EAR: 2.54um [100u"] MIN. TIN PLATED.
 3. CONNECTOR REQUIRES USE OF 2 - SIZE M2 SCREWS FOR
 FASTENING TO PRINTED CIRCUIT BOARD.
 4. REFLOW SOLDER CAPABLE TO 260°C PER TE SPEC
 109-201, CONDITION B.

G/F	REEL	W/	15µ"	3-1734451-1	AVAILABLE
MATTE-TIN 2.54um [100u"] MIN.	REEL	W/	15µ"	2-1734451-1	AVAILABLE
	TRAY	W/	G/F	1-1734451-3	OBSOLETE
			30µ"	1-1734451-2	OBSOLETE
			15µ"	1-1734451-1	AVAILABLE
	TRAY	W/O	30µ"	1734451-2	OBSOLETE
15µ"			1734451-1	AVAILABLE	
PLATING ON SOLDER TAILS	PACKAGE	MYLAR	MIN. GOLD THICKNESS	PART NUMBER	PART STATUS

POWER	5.00mm	1, 13, 38, 50
GENERAL	4.25mm	ALL OTHER PINS
DETECT	3.50mm	25, 26
PIN TYPE	INTERFACE DIM. L	PIN NO.

THIS DRAWING IS A CONTROLLED DOCUMENT.

DIMENSIONS: MM	TOLERANCES UNLESS OTHERWISE SPECIFIED:	DWN S. CHIEN 21JAN2008	TE Connectivity PIN HEADER SLIM TYPE, 50 POS, TOP BOARD, COMPACT FLASH CARD
	0 PLC ± -	CHK S. HOU 21JAN2008	
	1 PLC ± 0.30	APVD W. KODAMA 21JAN2008	
MATERIAL	FINISH	NAME	
SEE NOTE	SEE NOTE	108-57134	SIZE A300779
		QUALIFICATION TEST REPORT 501-57118	DRAWING NO C=1734451
		WEIGHT	RESTRICTED TO
		CUSTOMER DRAWING	SCALE SHEET 1 of 3 REV D2

4

3

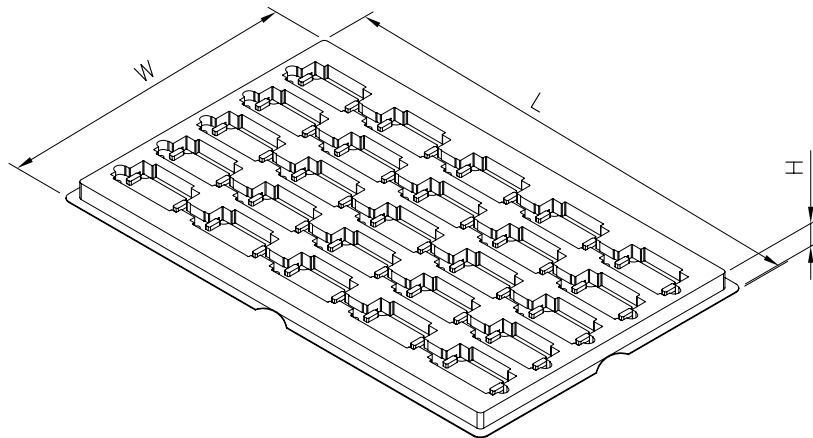
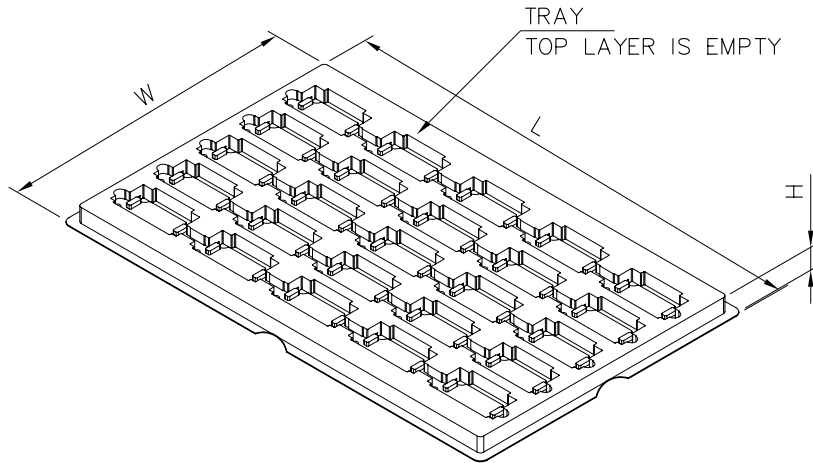
2

1

THIS DRAWING IS UNPUBLISHED. RELEASED FOR PUBLICATION
 © COPYRIGHT BY TYCO ELECTRONICS CORPORATION. ALL RIGHTS RESERVED.

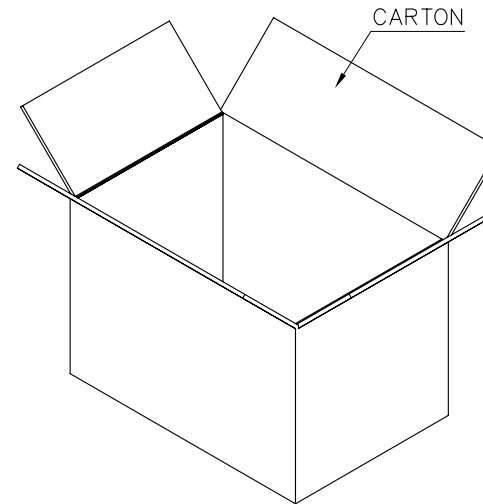
LOC		DIST		REVISIONS			
P	LTR	DESCRIPTION		DATE	DWN	APVD	
		SEE SHEET 1.					

TRAY PACKING: AS SHOWN



NOTES:

1. TRAY: PS.
SHIPPING CARTON: CORRUGATED FIBERBOARD
2. DIMENSION :
TRAY : L=346mm X W=215mm X H=7.5mm
SHIPPING CARTON : L=356mm, W=241mm, H=292mm
3. QUANTITY :
25 PCS/TRAY
40 TRAYS/SHIPPING CARTON (1,000PCS)
4. WEIGHT:
NET WEIGHT : 5.0 Kg
GROSS WEIGHT : 6.0 Kg



THIS DRAWING IS A CONTROLLED DOCUMENT.		DWN	STE TE Connectivity	
		CHK		
DIMENSIONS: MM		APVD	NAME	
		TOLERANCES UNLESS OTHERWISE SPECIFIED:		PIN HEADER SLIM TYPE, 50 POS, TOP BOARD, COMPACT FLASH CARD
		0 PLC ± - 1 PLC ± - 2 PLC ± - 3 PLC ± - 4 PLC ± - ANGLES ± -		
MATERIAL	FINISH	PRODUCT SPEC	SIZE	CAGE CODE
		APPLICATION SPEC	A3	00779
		WEIGHT	DRAWING NO	
		CUSTOMER DRAWING	C=1734451	
			RESTRICTED TO	
		SCALE	SHEET	REV
			2 of 3	D2

THIS DRAWING IS UNPUBLISHED.

RELEASED FOR PUBLICATION

© COPYRIGHT BY TYCO ELECTRONICS CORPORATION. ALL RIGHTS RESERVED.

ALL RIGHTS RESERVED.

LOC DW

DIST

REVISIONS

P	LTR	DESCRIPTION	DATE	DWN	APVD
		SEE SHEET 1.			

TAPE AND REEL PACKING : AS SHOWN

NOTE:

1. PACKAGING MATERIAL IN PLASTIC, RUBBER, INK, PIGMENT AND PAINT MUST MEET CONTROLLED SUBSTANCES TE SPEC PER 230-702 (REV.E).

* CADMIUM AND CADMIUM COMPOUNDS NOT TO EXCEED: 5 PPM.

* LEAD, CADMIUM, CHROM VI AND MERCURY NOT TO EXCEED: 100 PPM (COMBINED).

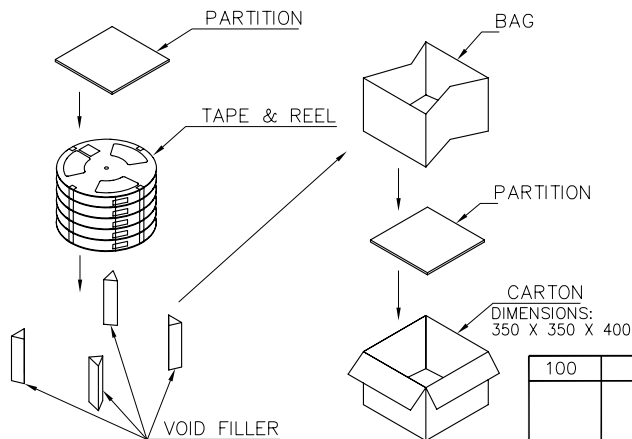
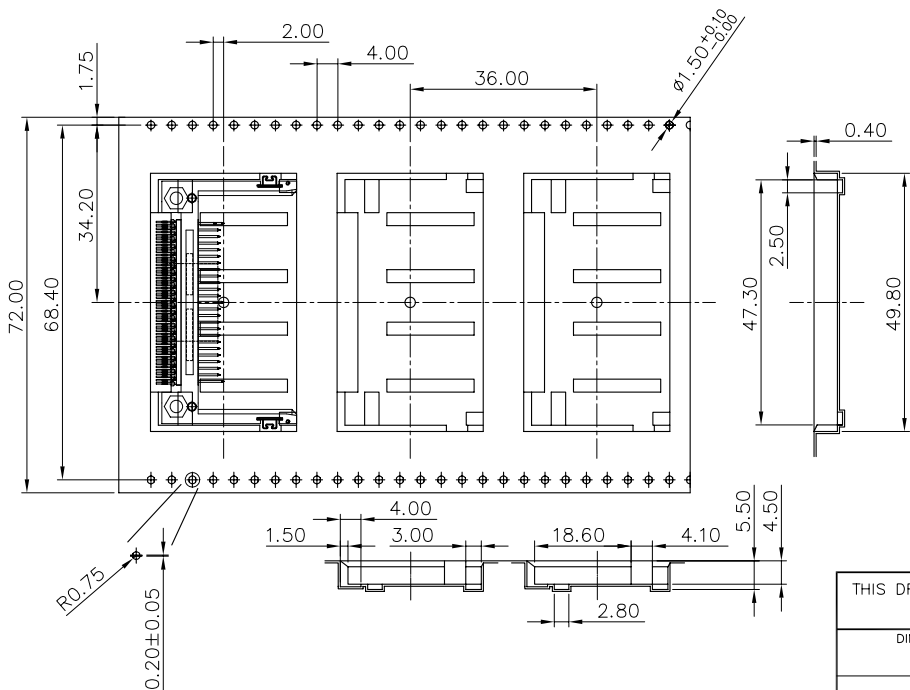
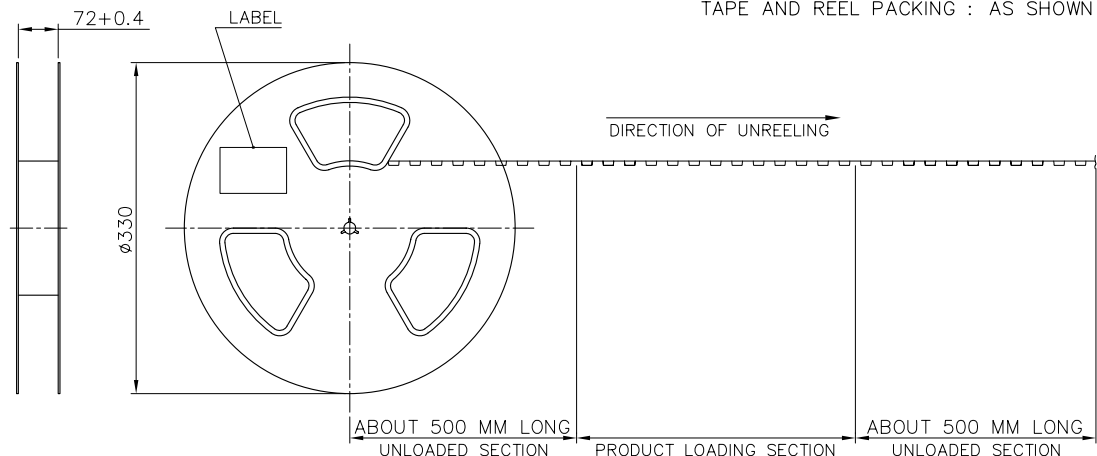
2. EACH BAG SHALL BE INCLUDED:

- * DESICCANT
- * HUMIDITY INDICATOR CARD
- * MOISTURE SENSITIVITY LABEL

3. CARRIER TAPES, COVER TAPES, REELS AND TAPED COMPONENTS MUST MEET THE REQUIREMENTS DEFINED PER EIA-481-B.

4. CARTON MATERIAL : CORRUGATED FIBERBOARD
TAPE&REEL MATERIAL : PS

5. PEELING RESISTANCE : 0.1N~1.5N(10g~150g)
PEELING SPEED : 300mm/MIN



PCS/TAPE	REELS/CARTON	QUANTITY (PCS)	G/W (Kg)	N/W (Kg)	PART NUMBER
100	5	500	1.19	3.66	3-1734451-1
					2-1734451-1
					1-1734451-3
200	5	1000	3.45	7.9	1-1734451-2
					1-1734451-1
					1734451-2
					1734451-1

THIS DRAWING IS A CONTROLLED DOCUMENT.

DIMENSIONS: MM

TOLERANCES UNLESS OTHERWISE SPECIFIED:

0 PLC	±
1 PLC	±
2 PLC	±
3 PLC	±
4 PLC	±
ANGLES	±

MATERIAL: _____ FINISH: _____

THIS DRAWING IS A CONTROLLED DOCUMENT.

DWN: _____

CHK: _____

APVD: _____

PRODUCT SPEC: _____

APPLICATION SPEC: _____

WEIGHT: _____

CUSTOMER DRAWING

STE TE Connectivity

NAME: PIN HEADER SLIM TYPE, 50 POS, TOP BOARD, COMPACT FLASH CARD

SIZE: A3 CAGE CODE: 00779 DRAWING NO: G=1734451 RESTRICTED TO: _____

SCALE: _____ SHEET: 3 of 3 REV: D2