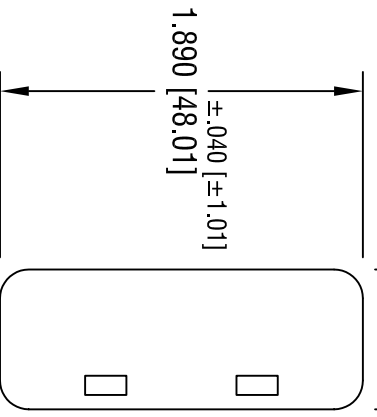


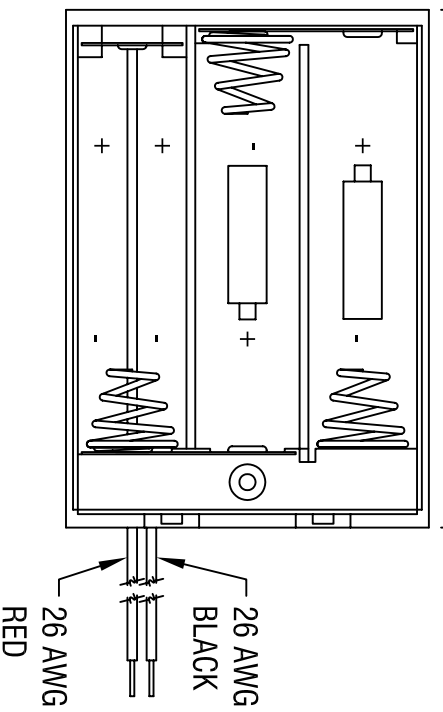
DATE	DESCRIPTION	REV.

HOLDER

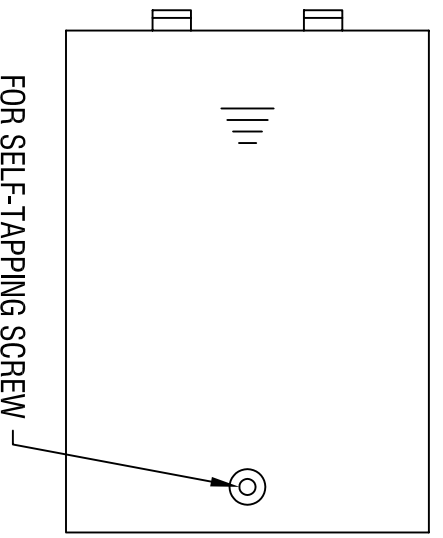
$\pm .040$ [± 1.01]
 $.728$ [18.49]



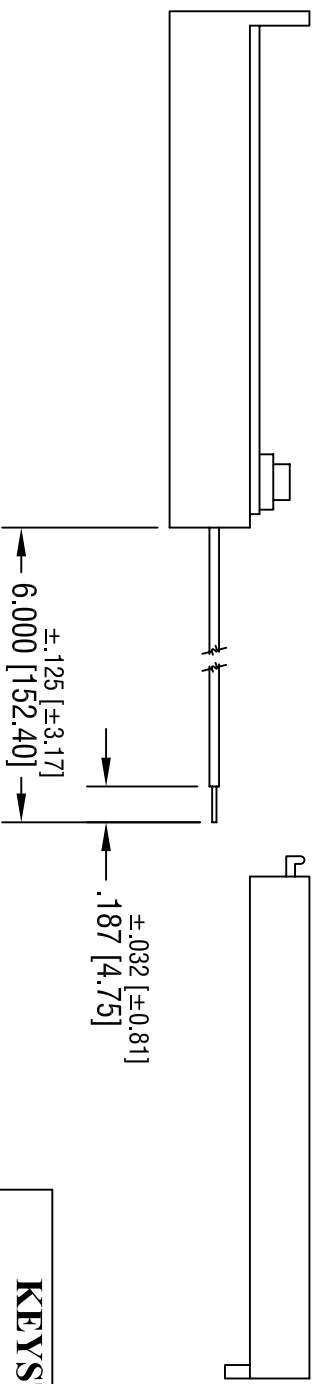
$\pm .060$ [± 1.52]
 2.697 [68.50]



COVER



$\pm .125$ [± 3.17]
 6.000 [152.40]
 $\pm .032$ [± 0.81]
 $.187$ [4.75]



NOTE:

- HOLDER: MAT'L: A.B.S., BLACK
 WIRE: 26 AWG, 1007 UL/CSA APPROVED
 SPRING: MAT'L: MUSIC WIRE, .020 [0.50] DIA.
 FINISH: NICKEL PLATE

KEYSTONE ELECTRONICS CORP.

ASTORIA, N.Y. 11105-2017

PART NAME
 BATTERY HOLDER & COVER, (3) 'AA'

MATERIAL
 AS NOTED

FINISH
 AS NOTED

TOLERANCES	INCH	[MM]	CODE	DWG NO.
DECIMAL	$\pm .015$	[± 0.38]	C/M	2487
ANGULAR	$\pm 1^\circ$			

THIS DOCUMENT IS THE PROPERTY OF
 KEYSTONE ELECTRONICS CORP. AND
 SHALL NOT BE REPRODUCED, DISTRIBUTED
 OR USED AS A BASIS FOR MANUFACTURE
 WITHOUT PRIOR WRITTEN PERMISSION
 FROM KEYSTONE ELECTRONICS CORP.

DRN BY
 BOONE
 App'D
 LN
 DATE
 3.13.00
 SCALE
 1X