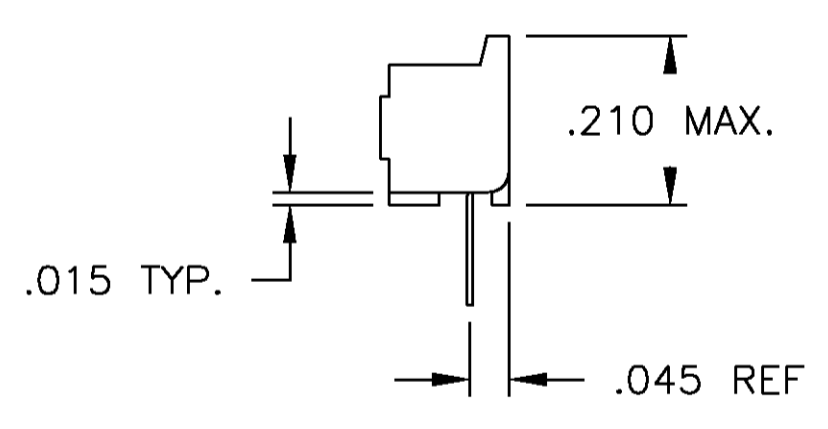
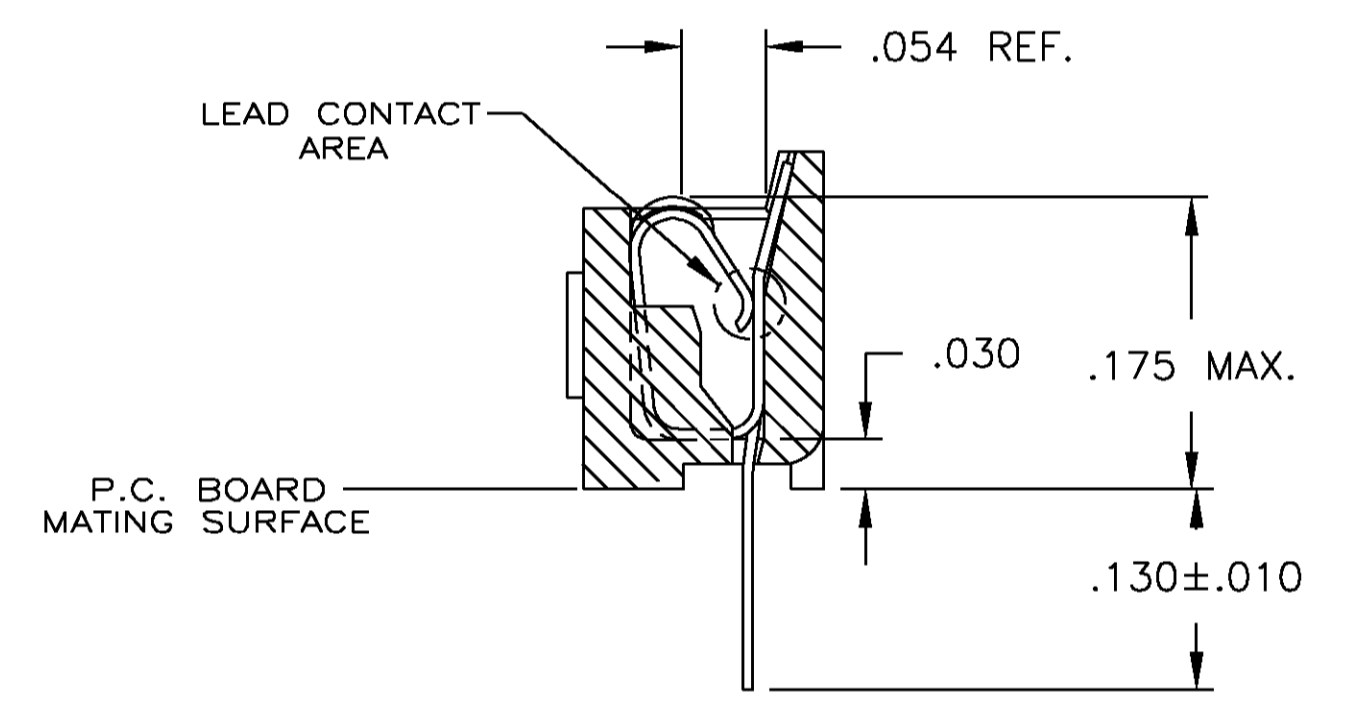


SECTION A-A  
ROTATED 90° CW  
SCALE 10:1  
FOR -6, -7 & -8 ONLY



- RECEPTACLE ACCEPTS AN .008-.014 THK. I.C. LEAD.
- TWO .000030 MIN. THK. GOLD STRIPES IN CONTACT AREA, TIN-LEAD(93-7) ON CONTACT LEGS, BALANCE OF CONTACT NICKEL PLATED.
- TWO .000015 MIN. THK. GOLD STRIPES IN CONTACT AREA, TIN-LEAD(93-7) ON CONTACT LEGS, BALANCE OF CONTACT NICKEL PLATED.



SECTION A-A  
ROTATED 90° CW  
SCALE 10:1  
FOR -1, -2 & -3 ONLY

CONTACT FINISH	CONTACT MAT'L	HOUSING MATERIAL	PART NO.
TINNED	PHOS.BRZ.	GLASS-FILLED THERMOPLASTIC, 94V-0, BLACK	643642-8
OBSOLETE	BE.CU.	GLASS-FILLED THERMOPLASTIC, 94V-0, BLACK	643642-7
TINNED	BE.CU.	GLASS-FILLED THERMOPLASTIC, 94V-0, BLACK	643642-6
SUPSD BY 643642-2	PHOS.BRZ.	GLASS-FILLED THERMOPLASTIC, 94V-0, BLACK	643642-4
OBSOLETE	PHOS.BRZ.	GLASS-FILLED THERMOPLASTIC, 94V-0, BLACK	643642-3
	BE.CU.	GLASS-FILLED THERMOPLASTIC, 94V-0, BLACK	643642-2
TINNED	BE.CU.	GLASS-FILLED THERMOPLASTIC, 94V-0, BLACK	643642-1

THIS DRAWING IS A CONTROLLED DOCUMENT.

DIMENSIONS: INCHES 0 PLC ± - 1 PLC ± - 2 PLC ± - 3 PLC ± .005 4 PLC ± - ANGLES ± - MATERIAL: SEE TABLE FINISH: SEE TABLE	TOLERANCES UNLESS OTHERWISE SPECIFIED: DIM M. CYRUS 8-14-84 OR N. JONES 7-3-84 APVD J. GRAY 7-10-84	Tyco Electronics Corporation Harrisburg, PA 17105 SOCKET ASSY, SIP, 10 POS, DIPLOMATE DL SIZE: A1 CAGE CODE: 00779 DRAWING NO: 643642 SCALE: 5:1 SHEET: 1 OF 1 REV: K
---	--	---

CUSTOMER DRAWING