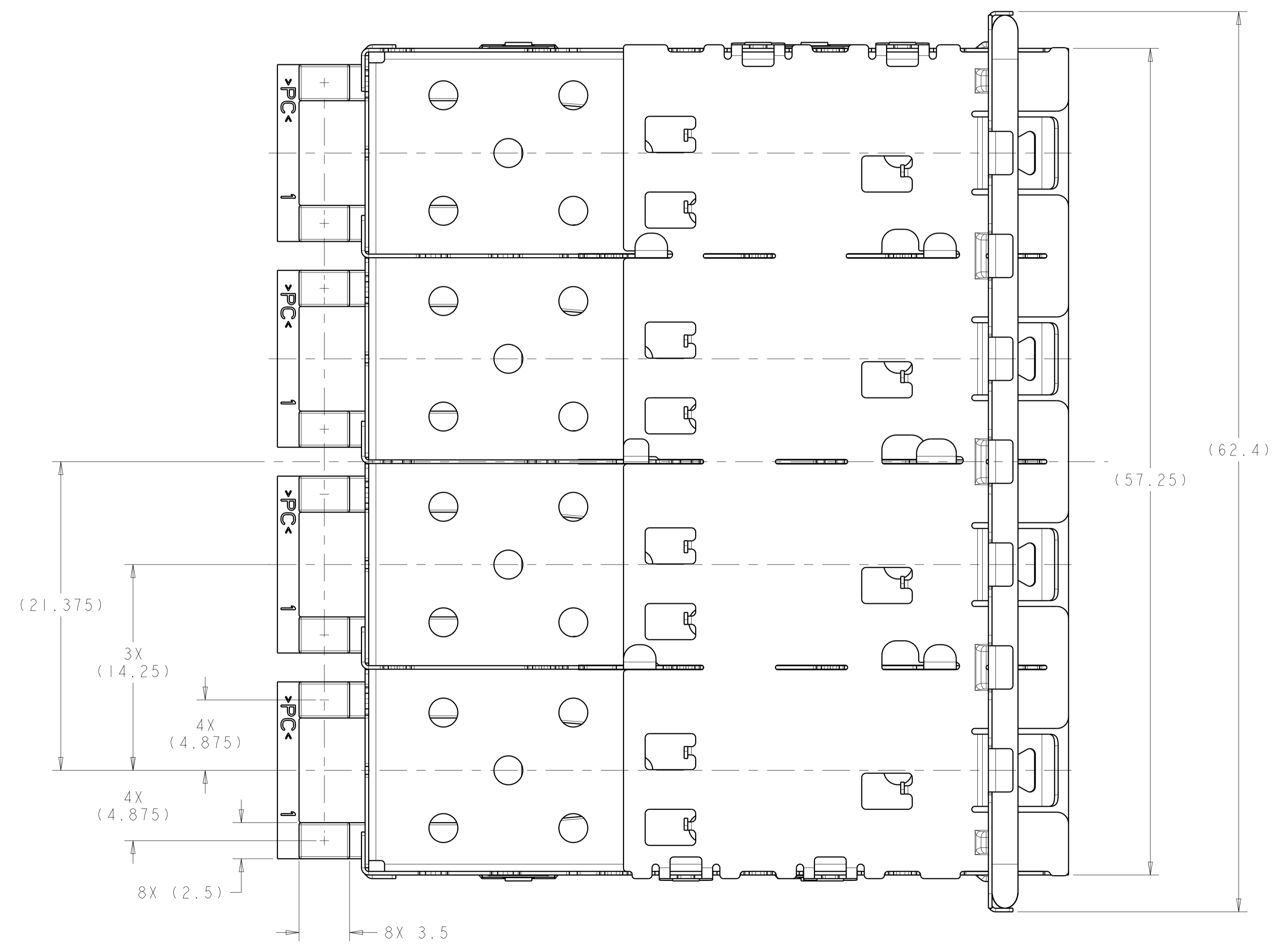
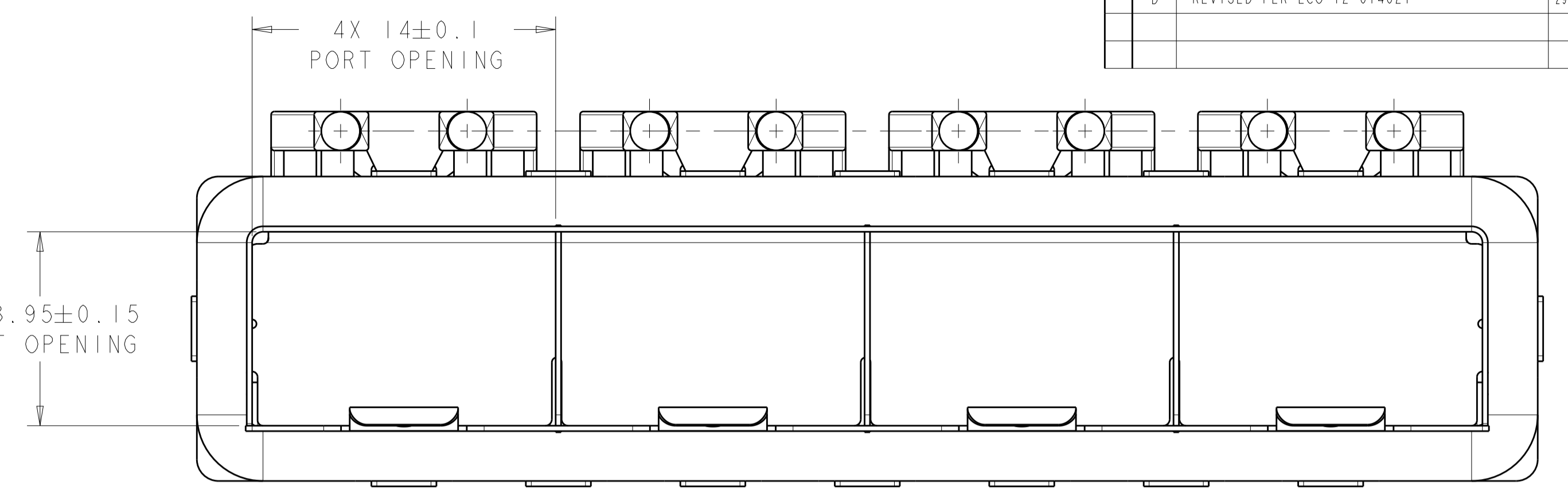
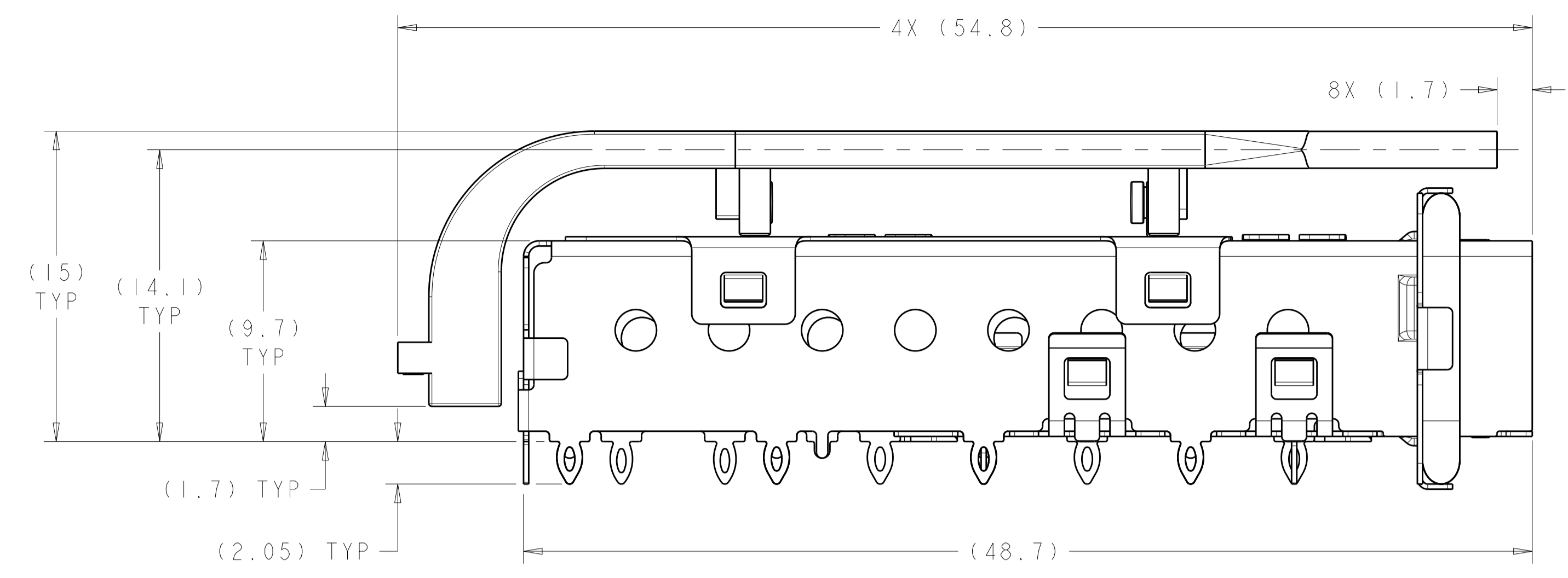
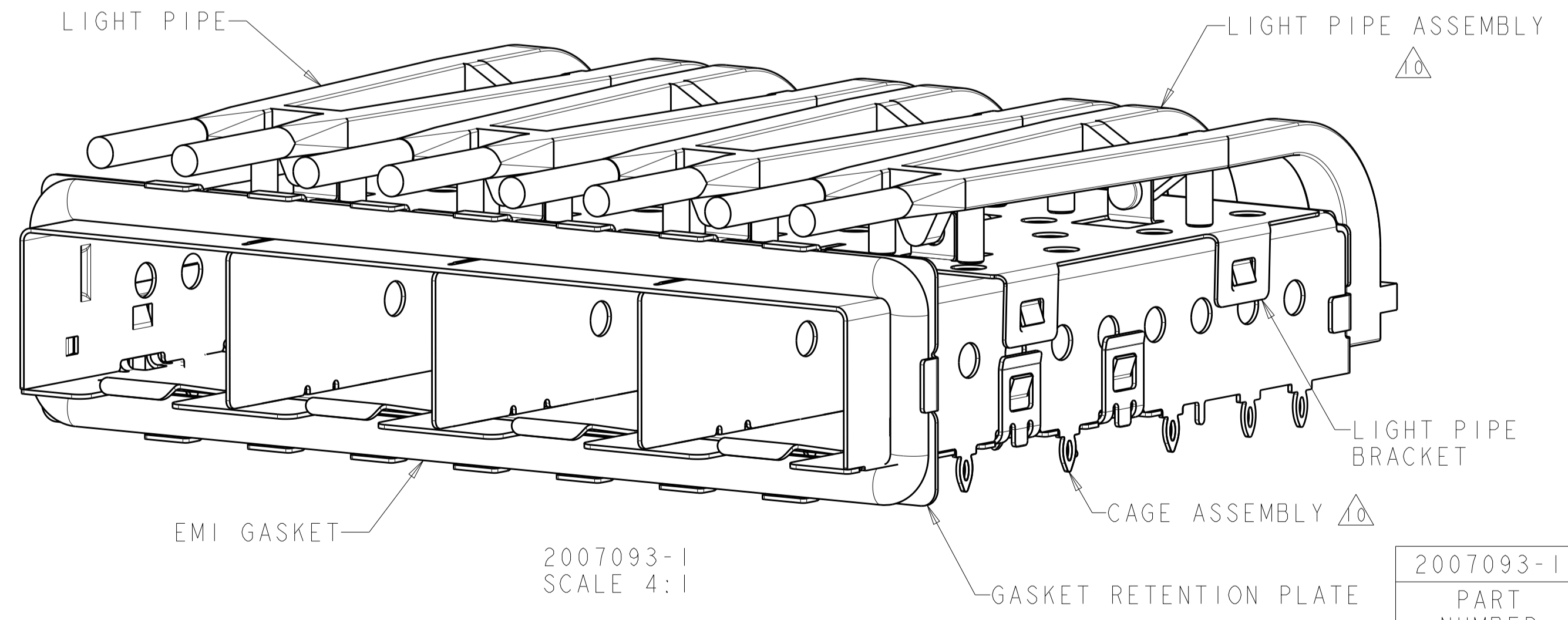


LOC	DIST	REVISIONS					
GP	00	P.	LTN	DESCRIPTION	DATE	DWN	APVD
		C		REVISED PER ECO-10-004036	01MAR2010	CJV	MRS
		D		REVISED PER ECO-12-014021	29SEP2012	TD	AC



- MATERIAL:**
 CAGE ASSEMBLY - 0.25mm THICK NICKEL SILVER ALLOY
 GASKET RETENTION PLATE - STAINLESS STEEL
 GASKET - PLATED FILLED SILICONE
 LIGHT PIPE BRACKET - STAINLESS STEEL
 LIGHT PIPE - POLYCARBONATE, CLEAR
- 2. MINIMUM PC BOARD THICKNESS = 1.50mm.
 - 3. PADS AND VIAS CHASSIS GROUND.
 - 4. DATUM AND BASIC DIMENSION ESTABLISHED BY CUSTOMER.
 - 5. MATES WITH SFP MSA COMPLIANT TRANSCEIVERS.
 - 6. INTERPRETATION OF DATUM REFERENCE FRAME IN ACCORDANCE WITH SECT 4.4.1.1 OF ASME Y14.5M-1994.
 - 7. REFERENCE APPLICATION SPEC. 114-13120, HOLE A, FOR RECOMMENDED DRILL HOLE DIAMETER AND PLATING THICKNESS.
 - 8. REFERENCE APPLICATION SPEC. 114-13120, HOLE B, FOR RECOMMENDED DRILL HOLE DIAMETER AND PLATING THICKNESS.
 - 9. HOLE PATTERN REPEATS FOR EACH PORT. SPACING BETWEEN PORTS IS 14.25mm.
 - 10. LIGHT PIPE ASSEMBLY SHIPPED UNASSEMBLED TO CAGE ASSEMBLY. CAGE ASSEMBLY TO BE PRESSED INTO THE PCB PRIOR TO ATTACHING THE LIGHT PIPE ASSEMBLY TO THE CAGE.
 - 11. PRODUCT COMPLIES WITH SPECIFICATION SFF-8433 IMPROVED PLUGGABLE FORM FACTOR FOR SFP+ GANGED CAGES.

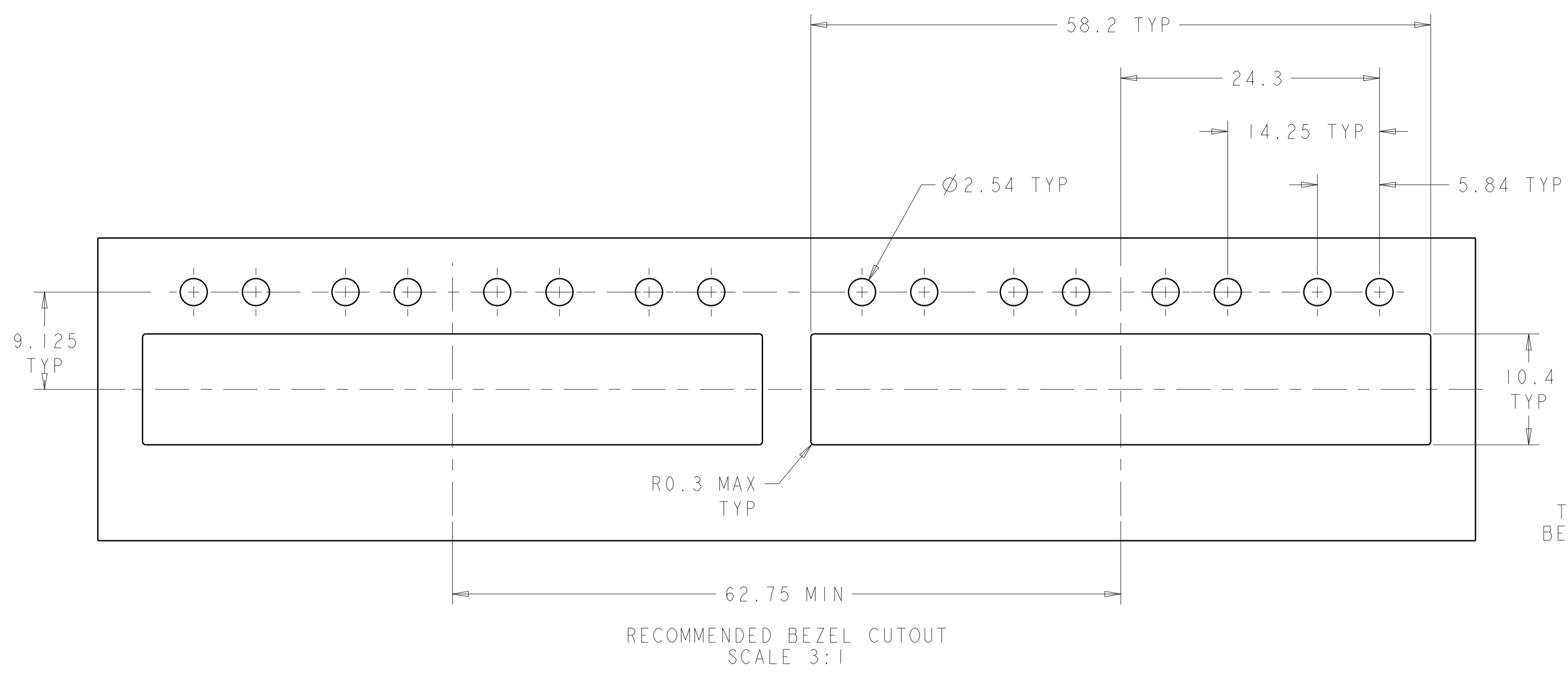


2007093-1
 SCALE 4:1

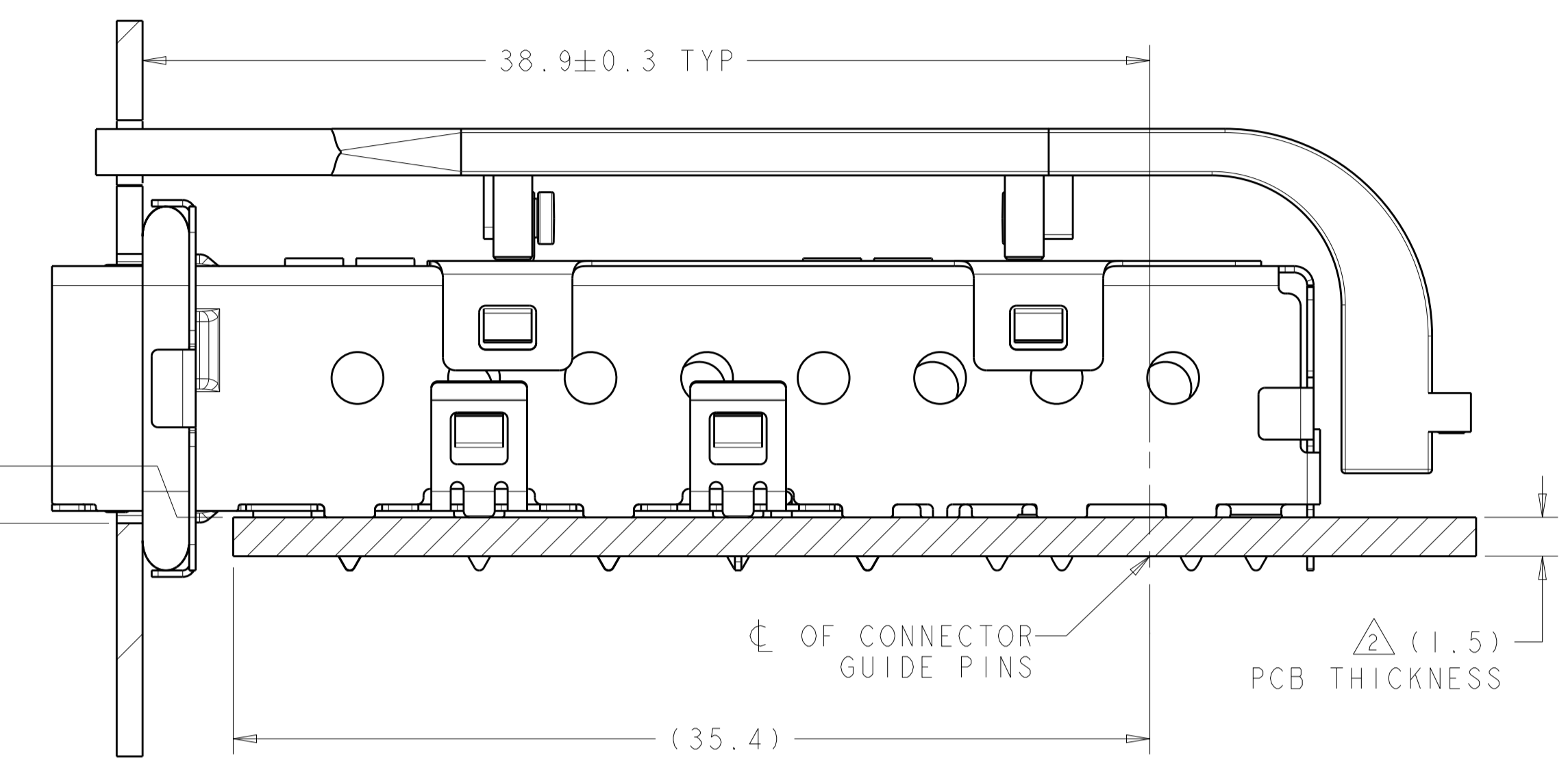
2007093-1
 PART NUMBER

THIS DRAWING IS A CONTROLLED DOCUMENT.		DWN: M. SCHMITT 21JUN2007	TE Connectivity
DIMENSIONS: mm		CHK: M. SCHMITT 21JUN2007	
TOLERANCES UNLESS OTHERWISE SPECIFIED:		APVD: B. WERTZ 21JUN2007	NAME: SFP+ 1X4 CAGE ASSEMBLY PRESS FIT, EMI GASKET WITH LIGHT PIPES PRODUCT SPEC: 108-2364 APPLICATION SPEC: 114-13120 SIZE: A1 CAGE CODE: 00779 DRAWING NO: 2007093
0 PLC ±0.1		RESTRICTED TO:	
1 PLC ±0.1		SCALE: 5:1	
2 PLC ±0.1		SHEET 1 OF 3	
3 PLC ±0.1		REV D	
4 PLC ±0.1			
ANGLES ±0.1			
FINISH: ±1°			
MATERIAL:		Customer Drawing	

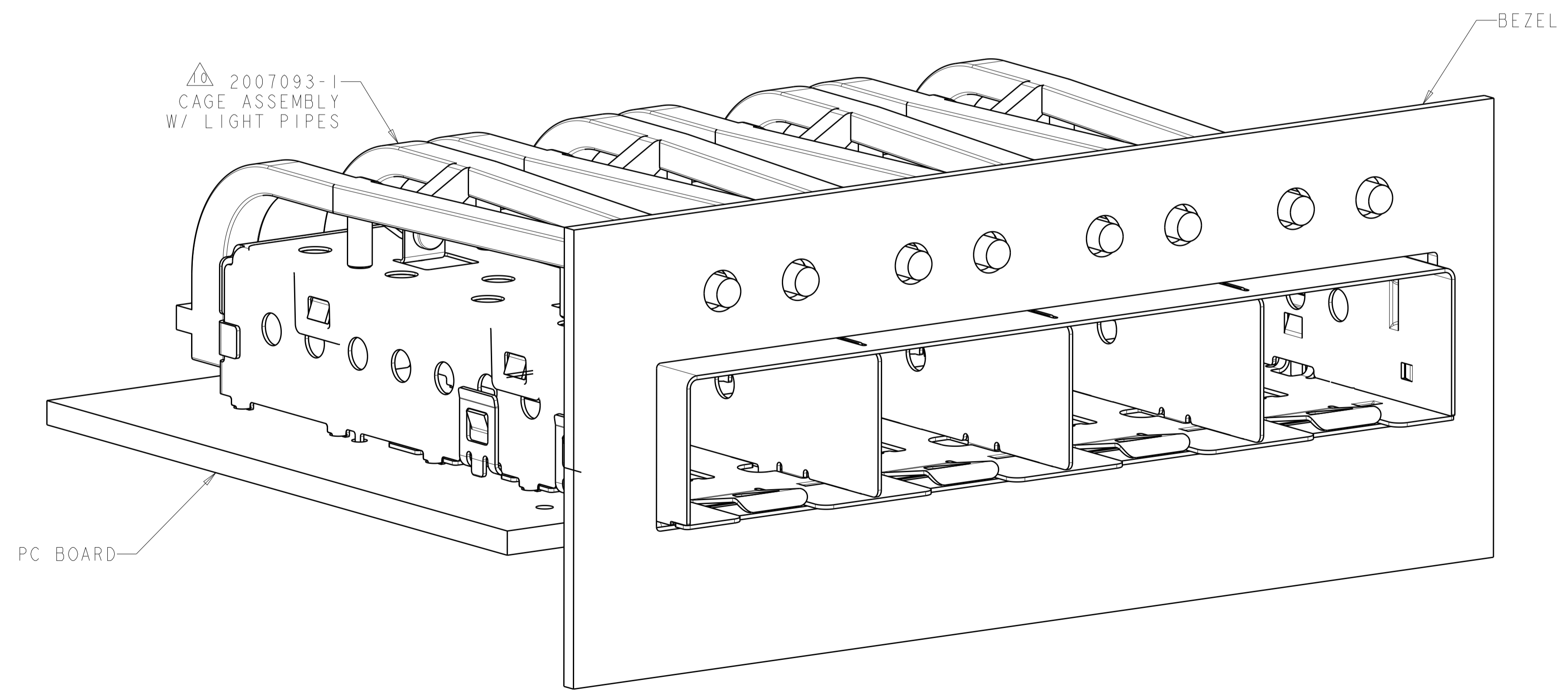
LOC	DIST	REVISIONS			
P	LTN	DESCRIPTION	DATE	DMN	APVD
GP	00	SEE SHEET 1	-	-	-



0.23^{+0.10}
-0.14
TOP OF PCB
TO INSIDE OF
BEZEL CUT-OUT



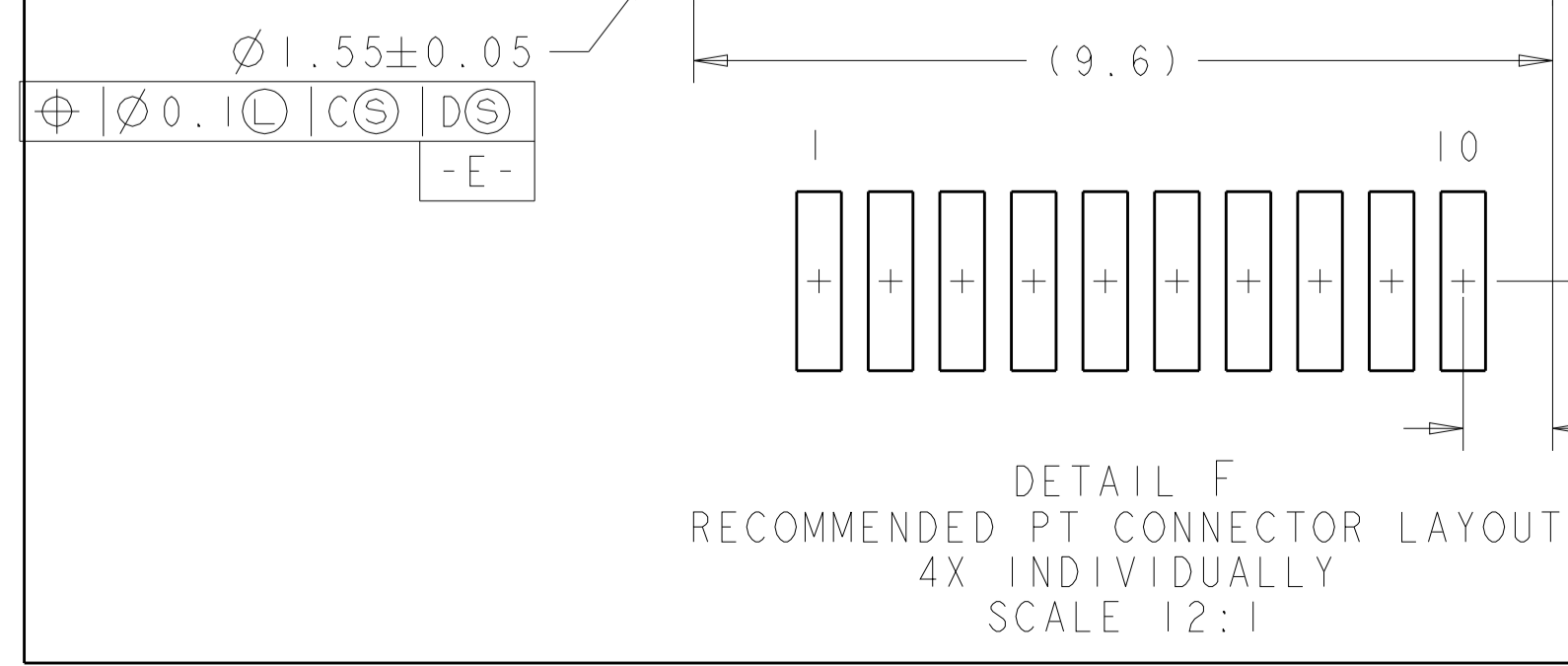
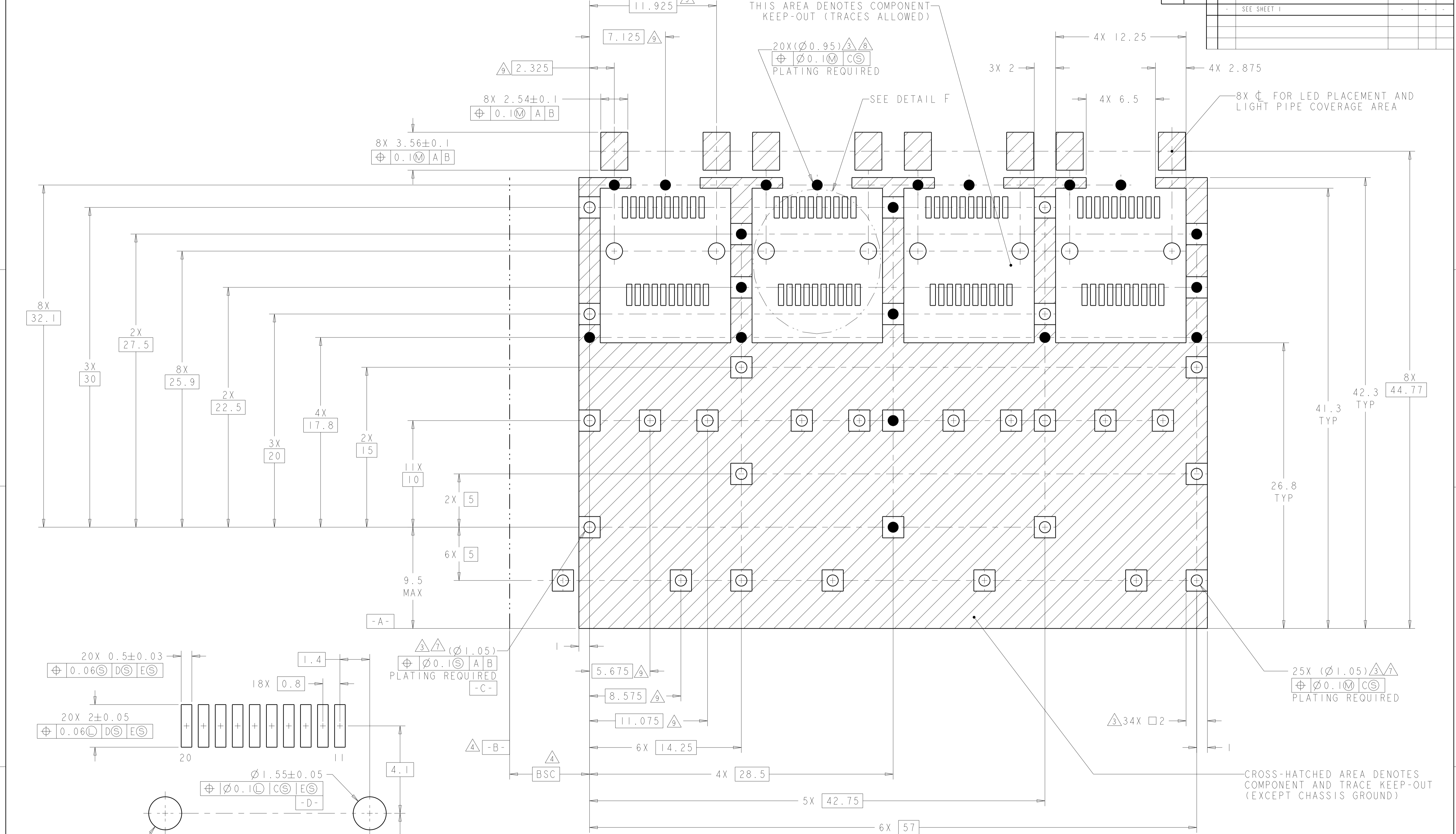
2007093-1
MOUNTED ON PC BOARD SHOWN
THRU RECOMMENDED BEZEL



2007093-1
MOUNTED ON PC BOARD SHOWN
THRU RECOMMENDED BEZEL

THIS DRAWING IS A CONTROLLED DOCUMENT.		DMN M. SCHMITT 21JUN2007	 TE Connectivity
DIMENSIONS: mm		CHK M. SCHMITT 21JUN2007	
TOLERANCES UNLESS OTHERWISE SPECIFIED:		APVD B. WERTZ 21JUN2007	NAME
0 PLC	±0.1	PRODUCT SPEC	SFP+ 1X4 CAGE ASSEMBLY
1 PLC	±0.1	APPLICATION SPEC	PRESS FIT, EMI GASKET
2 PLC	±0.1	108-2364	WITH LIGHT PIPES
3 PLC	±0.1	114-13120	SIZE CAGE CODE DRAWING NO
4 PLC	±0.1	Customer Drawing	A100779C=2007093
ANGLES	±1°	RESTRICTED TO	-
MATERIAL	-	SCALE	5:1
FINISH	-	SHEET	2 OF 3
		REV	D

LOC	DIST	REV	DATE	APP'D
GP	00			



RECOMMENDED PCB CONFIGURATION WITH KEEP-OUT AREAS
SCALE 6:1

THIS DRAWING IS A CONTROLLED DOCUMENT.		OWN: M. SCHMITT 21JUN2007	TE Connectivity
DIMENSIONS: mm		CHK: M. SCHMITT 21JUN2007	
TOLERANCES UNLESS OTHERWISE SPECIFIED:		APP'D: B. WERTZ 21JUN2007	NAME: SFP+ 1X4 CAGE ASSEMBLY PRESS FIT, EMI GASKET WITH LIGHT PIPES
0 PLC	±0.1	PRODUCT SPEC	108-2364
1 PLC	±0.1	APPLICATION SPEC	114-13120
2 PLC	±0.1	WEIGHT	A100779C=2007093
3 PLC	±0.1	SCALE	5:1
4 PLC	±0.1	SHEET	3 OF 3
ANGLES	±1°	REV	D
MATERIAL		Customer Drawing	