

### Discovery kit for STM32F7 Series with STM32F746NG MCU

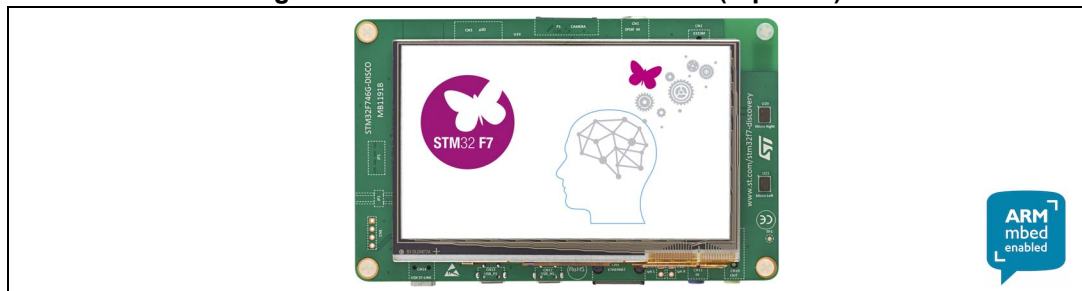
## Introduction

The STM32F746G-DISCO discovery board (32F746GDISCOVERY) is a complete demonstration and development platform for STMicroelectronics ARM® Cortex®-M7 core-based STM32F746NGH6 microcontroller. This microcontroller features four I<sup>2</sup>Cs, six SPIs with three multiplexed simplex I<sup>2</sup>S, SDMMC, four USARTs, four UARTs, two CANs, three 12-bit ADCs, two 12-bit DACs, two SAI, 8- to 14-bit digital camera module interface, internal 320+16+4-Kbyte SRAM and 1-Mbyte Flash memory, USB HS OTG, USB FS OTG, Ethernet MAC, FMC interface, Quad-SPI interface, SWD debugging support. This discovery board offers everything required for users to get started quickly and develop applications easily.

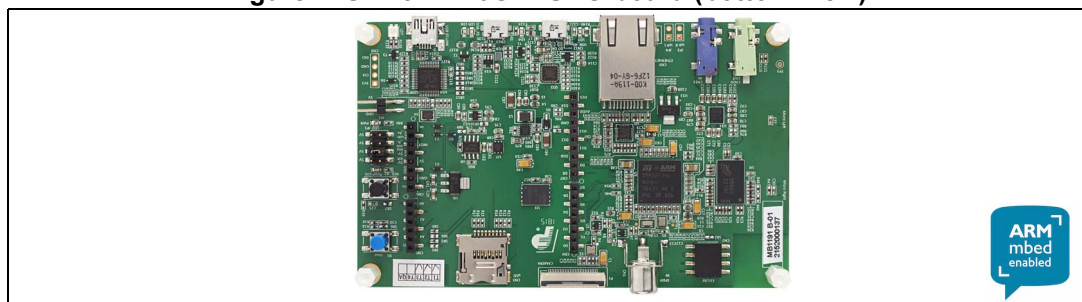
The full range of hardware features on the board helps users to evaluate almost all peripherals (USB OTG HS, USB OTG FS, 10/100-Mbit Ethernet, microSD™ card, USART, SAI Audio DAC stereo with audio jack input and output, MEMS digital microphones, SDRAM, Quad-SPI Flash memory, 4.3-inch color LCD-TFT with a capacitive multi-touch panel, SPDIF RCA input, etc.) and to develop their applications. Arduino™ Uno V3 connectors make it possible to easily connect extension shields or a daughterboard for users' specific applications. The integrated ST-LINK/V2-1 provides an embedded in-circuit debugger and programmer for the STM32.

The STM32F746G-DISCO board comes with the STM32 comprehensive software HAL library together with various packaged software examples, as well as a direct access to ARM® mbed™ online resources at <http://mbed.org>.

**Figure 1. STM32F746G-DISCO board (top view)**



**Figure 2. STM32F746G-DISCO board (bottom view)**



1. Pictures not contractual.

# Contents

- 1        Features ..... 6**
- 2        Demonstration software ..... 6**
- 3        Product marking ..... 7**
- 4        Ordering information ..... 7**
- 5        Technology partners ..... 7**
- 6        Hardware layout and configuration ..... 8**
  - 6.1    Embedded ST-LINK/V2-1 .....11
    - 6.1.1    Drivers ..... 11
    - 6.1.2    ST-LINK/V2-1 firmware upgrade ..... 12
  - 6.2    Power supply ..... 12
  - 6.3    Programming/debugging when the power supply is not from  
ST-LINK (5V link) ..... 14
  - 6.4    Clock sources ..... 15
  - 6.5    Reset sources ..... 15
  - 6.6    Audio ..... 15
  - 6.7    USB OTG FS ..... 16
  - 6.8    USB OTG HS ..... 16
  - 6.9    microSD card ..... 16
  - 6.10   Ethernet ..... 17
  - 6.11   SDRAM memory ..... 17
  - 6.12   Quad-SPI Nor Flash memory ..... 17
  - 6.13   Camera module ..... 18
  - 6.14   Display LCD-TFT ..... 18
- 7        Connectors ..... 19**
  - 7.1    I<sup>2</sup>C extension connector CN2 ..... 19
  - 7.2    Camera module connector P1 ..... 19
  - 7.3    Arduino Uno V3 connectors ..... 20

---

7.4	USB OTG HS micro-AB connector CN12	22
7.5	Ethernet RJ45 connector CN9	22
7.6	USB OTG FS micro-AB connector CN13	23
7.7	microSD connector CN3	24
7.8	ST-LINK/V2-1 USB type B connector CN14	24
7.9	Audio stereo speakers JP3 and JP4	25
7.10	Audio green jack (line Out) CN10	25
7.11	Audio blue jack (line In) CN11	25
7.12	SPDIF input RCA connector CN1	25
<b>8</b>	<b>Electrical schematics</b>	<b>26</b>
<b>Appendix A</b>	<b>STM32F746G-DISCO IO assignment</b>	<b>39</b>
<b>Appendix B</b>	<b>Mechanical drawing</b>	<b>46</b>
<b>Appendix C</b>	<b>Compliance Statements</b>	<b>47</b>
C.1	Federal Communications Commission (FCC) and Industry Canada (IC) Compliance Statement	47
C.1.1	FCC Compliance Statement	47
C.2	IC Compliance Statement	47
C.2.1	Compliance Statement	47
C.2.2	Déclaration de conformité	47
<b>Revision history</b>		<b>48</b>

## List of tables

Table 1.	I <sup>2</sup> C extension connector CN2 .....	19
Table 2.	Camera module connector P1 .....	19
Table 3.	Arduino connectors (CN4, CN5, CN6, CN7).....	21
Table 4.	USB OTG HS micro-AB CN12 .....	22
Table 5.	RJ45 connector CN9 .....	23
Table 6.	USB OTG FS micro-AB connector CN13 .....	23
Table 7.	microSD connector CN3.....	24
Table 8.	USB type B connector CN14 .....	25
Table 9.	SPDIF input RCA connector CN1.....	25
Table 10.	STM32F746G-DISCO IO assignment .....	39
Table 11.	Document revision history .....	48

## List of figures

Figure 1.	STM32F746G-DISCO board (top view) . . . . .	1
Figure 2.	STM32F746G-DISCO board (bottom view) . . . . .	1
Figure 3.	Hardware block diagram . . . . .	8
Figure 4.	STM32F746G-DISCO discovery board top layout . . . . .	9
Figure 5.	STM32F746G-DISCO discovery board bottom layout . . . . .	10
Figure 6.	USB composite device . . . . .	11
Figure 7.	JP1 (5V ext) from JP2 (5V). . . . .	12
Figure 8.	JP1 (5V ext) from CN6 (Vin). . . . .	12
Figure 9.	JP1 (5V link) . . . . .	13
Figure 10.	JP1 (usb_fs) . . . . .	14
Figure 11.	JP1 (usb_hs). . . . .	14
Figure 12.	Inside RJ45 jack . . . . .	17
Figure 13.	I <sup>2</sup> C extension connector CN2 (front view) . . . . .	19
Figure 14.	Camera module connector P1 (front view) . . . . .	19
Figure 15.	USB OTG micro-AB connector CN12 (front view) . . . . .	22
Figure 16.	Ethernet RJ45 connector CN9 (front view) . . . . .	22
Figure 17.	USB OTG micro-AB connector CN13 (front view) . . . . .	23
Figure 18.	microSD connector CN3 (front view) . . . . .	24
Figure 19.	USB type B connector CN14 (front view) . . . . .	24
Figure 20.	STM32F746 discovery interconnection . . . . .	26
Figure 21.	ST-LINK/V2-1 with support of SWD only . . . . .	27
Figure 22.	Joystick, LEDs and pushbutton . . . . .	28
Figure 23.	Audio codec Cirrus and connectors . . . . .	29
Figure 24.	Quad-SPI Flash memory (MICRON) . . . . .	30
Figure 25.	Arduino Uno connectors . . . . .	31
Figure 26.	SDRAM (MICRON). . . . .	32
Figure 27.	USB OTG FS with micro A-B connector . . . . .	33
Figure 28.	STM32F746NGH6 connection . . . . .	34
Figure 29.	USB OTG HS PHY with micro A-B connector . . . . .	35
Figure 30.	Ethernet PHY with RJ45 connector . . . . .	36
Figure 31.	External camera connector. . . . .	37
Figure 32.	4.3-inch LCD with capacitive touch. . . . .	38
Figure 33.	Mechanical drawing . . . . .	46

# 1 Features

- STM32F746NGH6 microcontroller featuring 1 Mbyte of Flash memory and 340 Kbytes of RAM, in BGA216 package
- On-board ST-LINK/V2-1 supporting USB reenumeration capability
- ARM® mbed™ -enabled (see <http://mbed.org>)
- USB functions: virtual COM port, mass storage, debug port
- 4.3-inch 480x272 color LCD-TFT with capacitive touch screen
- Camera connector
- SAI audio codec
- Audio line in and line out jack
- Stereo speaker outputs
- Two ST MEMS microphones
- SPDIF RCA input connector
- Two push buttons (user and reset)
- 128-Mbit Quad-SPI Flash memory
- 128-Mbit SDRAM (64-Mbit accessible)
- Connector for microSD card
- RF-EEPROM daughterboard connector
- USB OTG HS with Micro-AB connectors
- USB OTG FS with Micro-AB connectors
- Ethernet connector compliant with IEEE-802.3-2002
- Five power supply options:
  - ST LINK/V2-1
  - USB FS connector
  - USB HS connector
  - VIN from Arduino connector
  - External 5 V from connector
- Power supply output for external applications: 3.3 V or 5 V
- Arduino Uno V3 connectors
- Comprehensive free software including a variety of examples, part of STM32Cube package
- Supported by a wide choice of integrated development environments

# 2 Demonstration software

The demonstration software is preloaded in the STM32F746NGH6 Flash memory. The latest versions of the demonstration source code and associated documentation can be downloaded from [www.st.com/stm32f7-discovery](http://www.st.com/stm32f7-discovery).

### 3 Product marking

Evaluation tools marked as "ES" or "E" are not yet qualified and therefore they are not ready to be used as reference design or in production. Any consequences deriving from such usage will not be at ST charge. In no event, ST will be liable for any customer usage of these engineering sample tools as reference design or in production.

"E" or "ES" marking examples of location:

- On the targeted STM32 that is soldered on the board (for illustration of STM32 marking, refer to the section "Package characteristics" of the STM32 datasheet at [www.st.com](http://www.st.com)).
- Next to the evaluation tool ordering part number, that is stuck or silk-screen printed on the board.

### 4 Ordering information

To order the discovery kit with STM32F746NG MCU, use the order code: STM32F746G-DISCO.

### 5 Technology partners

**MICRON:**

- 128-Mbit SDRAM (64 Mbit accessible on the kit), part number MT48LC4M32B2
- 128-Mbit Quad-SPI NOR Flash memory device, part number N25Q128A

**ROCKTECH:**

- Color display, 4.3-inch LCD-TFT (resolution: 480x272), capacitive touch, part number RK043FN48H-CT672B

## 6 Hardware layout and configuration

STM32F746G-DISCO discovery board is designed around the STM32F746NGH6 (216-pin TFBGA package). The hardware block diagram (see [Figure 3](#)) illustrates the connection between STM32F746NGH6 and peripherals (SDRAM, Quad-SPI Flash memory, camera module, color LCD, USB OTG connectors, USART, Ethernet, Audio, SPDIFRX, microSD card, Arduino Uno shields and embedded ST-LINK) and [Figure 4](#) will help to locate these features on the actual discovery board.

Figure 3. Hardware block diagram

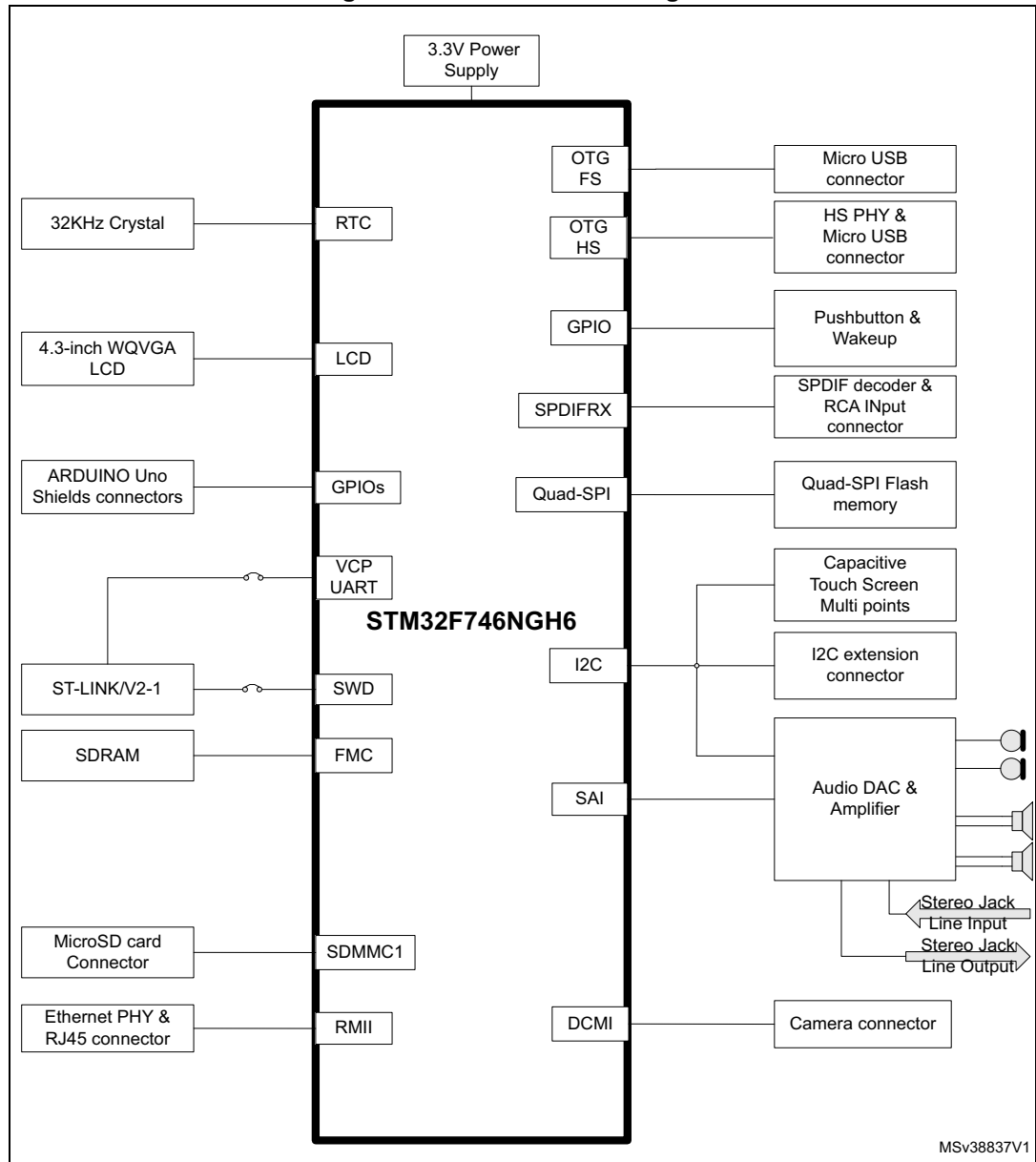




Figure 4. STM32F746G-DISCO discovery board top layout

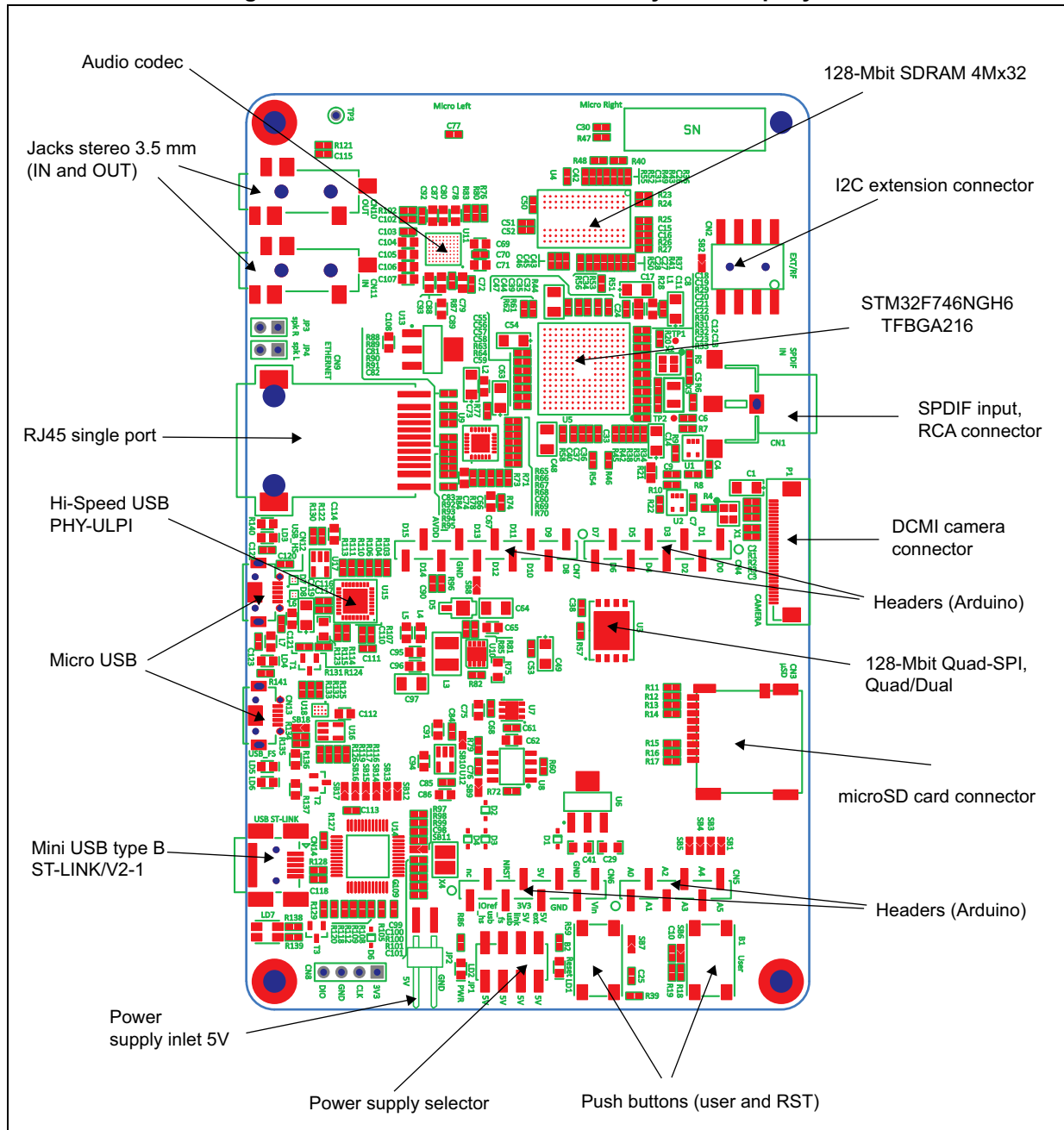
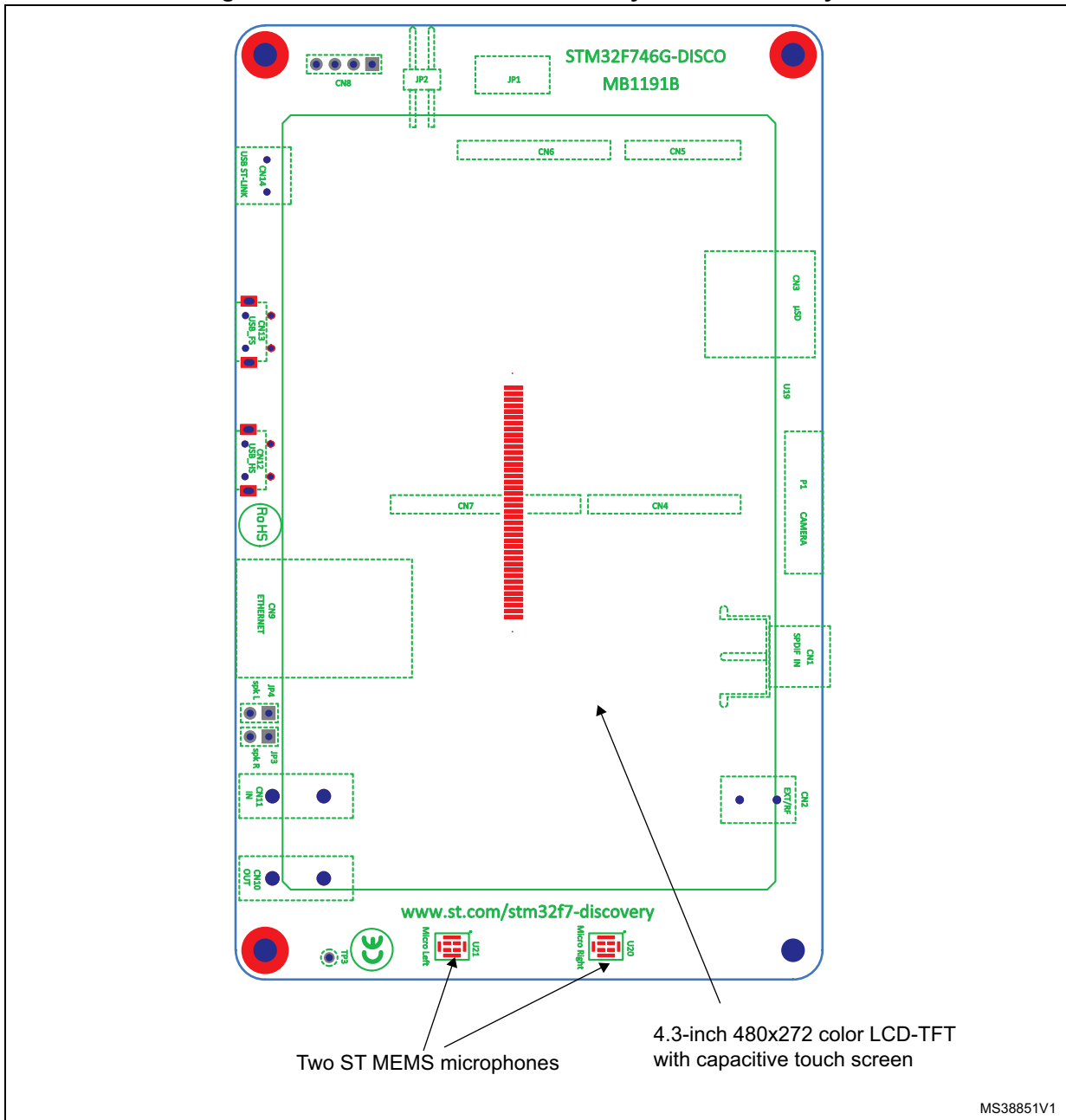


Figure 5. STM32F746G-DISCO discovery board bottom layout



## 6.1 Embedded ST-LINK/V2-1

The ST-LINK/V2-1 programming and debugging tool is integrated on the STM32F746G-DISCO discovery board. Compared to ST-LINK/V2 the changes are listed below.

The new features supported on ST-LINK/V2-1 are:

- USB software reenumeration
- Virtual Com port interface on USB
- Mass storage interface on USB
- USB power management request for more than 100 mA power on USB

These features are no more supported on ST-LINK/V2-1:

- SWIM interface
- Application voltage lower than 3 V

For all general information concerning debugging and programming features common between V2 and V2-1 refer to *ST-LINK/V2 in-circuit debugger/programmer for STM8 and STM32* User manual (UM1075).

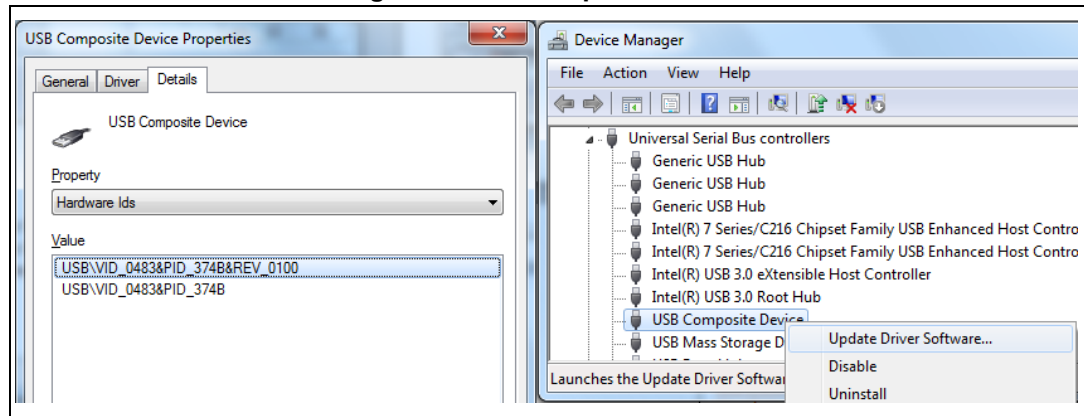
### 6.1.1 Drivers

The ST-LINK/V2-1 requires a dedicated USB driver, which, for Windows XP, 7 and 8, can be found at [www.st.com](http://www.st.com).

In case the STM32F746G-DISCO discovery board is connected to the PC before the driver is installed, some STM32F746G-DISCO interfaces may be declared as “unknown” in the PC device manager. In this case the user must install the driver files, and update the driver of the connected device from the device manager.

*Note:* Prefer using the “USB Composite Device” handle for a full recovery.

Figure 6. USB composite device



### 6.1.2 ST-LINK/V2-1 firmware upgrade

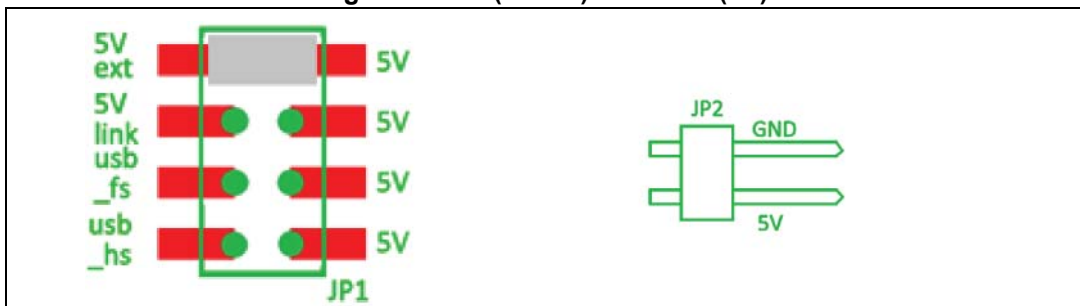
The ST-LINK/V2-1 embeds a firmware upgrade mechanism for in-situ upgrade through the USB port. As the firmware may evolve during the life time of the ST-LINK/V2-1 product (for example new functionality, bug fixes, support for new microcontroller families), it is recommended to visit [www.st.com](http://www.st.com) before starting to use the STM32F746G-DISCO board and periodically, in order to stay up-to-date with the latest firmware version.

## 6.2 Power supply

The STM32F746G-DISCO discovery board is designed to be powered by 5V DC power supply. It is possible to configure the discovery board to use any of the following five sources for the power supply:

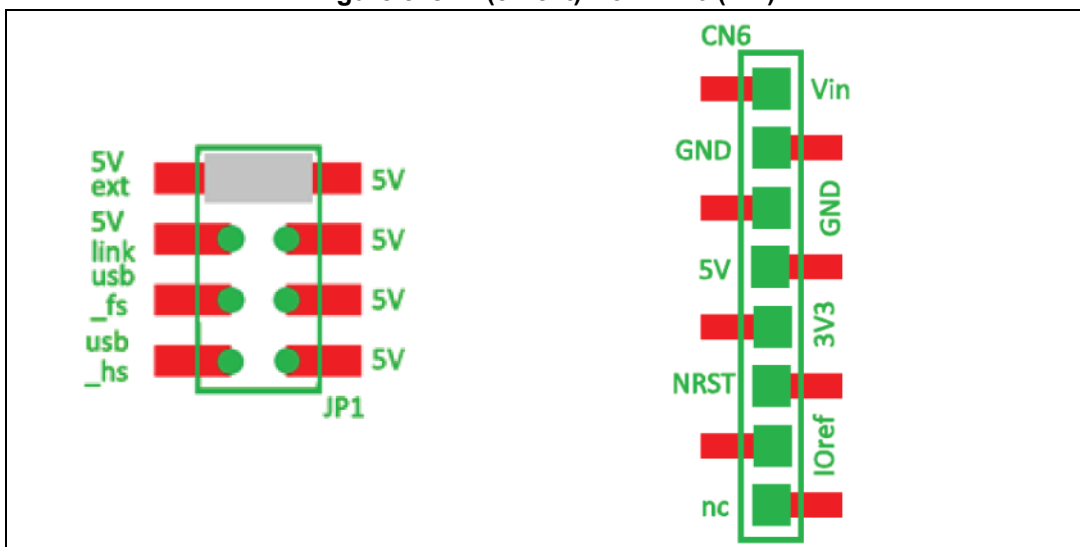
- 5V DC power adapter connected to JP2 (external power supply on silkscreen of JP1 (5V ext)). In this case, the STM32F746G-DISCO discovery board must be powered by a power supply unit or by an auxiliary equipment complying with the standard EN-60950-1: 2006+A11/2009, and must be Safety Extra Low Voltage (SELV) with limited power capability.

Figure 7. JP1 (5V ext) from JP2 (5V)



- 7-12V DC power from CN6 pin named Vin on silkscreen, the extension connectors for Arduino UNO shields or daughterboard (external power source on silkscreen of JP1 (5V ext)).

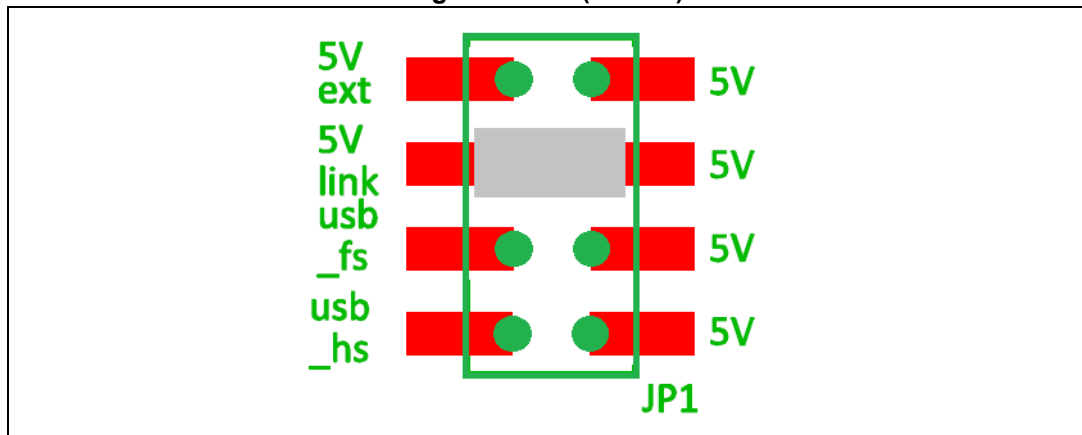
Figure 8. JP1 (5V ext) from CN6 (Vin)



- 5V DC power with limitation from CN14, the USB type mini-B connector of ST-LINK/V2-1 (USB 5V power source on silkscreen of JP1 (5V link)). It is the default setting. If the USB enumeration succeeds (as explained below), the ST-LINK 5V link power is enabled, by asserting the PWR\_ENn signal. This pin is connected to a power switch (ST890), which powers the board. This power switch features also a current limitation to protect the PC in case of a short-circuit on the board (more than 600 mA).

The STM32F746G-DISCO discovery board can be powered from the ST-LINK USB connector CN14 (5V link), but only the ST-LINK circuit has the power before USB enumeration, because the host PC only provides 100 mA to the board at that time. During the USB enumeration, the STM32F746G-DISCO board asks for the 500 mA power to the host PC. If the host is able to provide the required power, the enumeration ends by a “SetConfiguration” command and then, the power transistor U8 (ST890) is switched ON, the red LED LD2 is turned ON, thus the STM32F746G-DISCO board can consume no more than 500 mA of current. If the host is not able to provide the requested current, the enumeration fails. Therefore the ST890 (U8) remains OFF and the STM32 part including the extension board will not be powered. As a consequence the red LED LD2 remains turned OFF. In this case it is mandatory to use an external power supply.

Figure 9. JP1 (5V link)



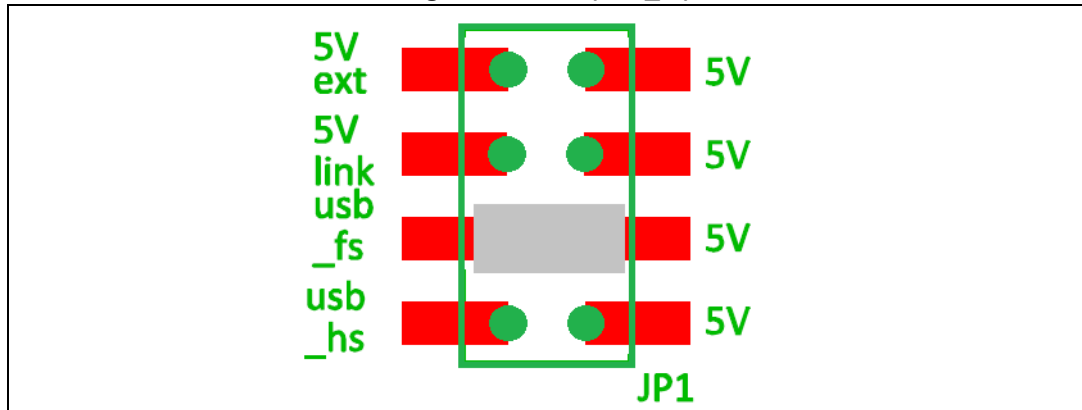
**Note:** In case the board is powered by a USB charger, there is no USB enumeration, so the led LD2 remains set to OFF permanently and the board is not powered. Only in this specific case, the resistor R109 needs to be soldered, to allow the board to be powered anyway.

The LED LD2 is lit when the STM32F746G-DISCO discovery board is powered by the 5V correctly.

**Caution:** Do not connect the PC to the ST-LINK (CN14) when R109 is soldered. The PC may be damaged or the board not powered correctly.

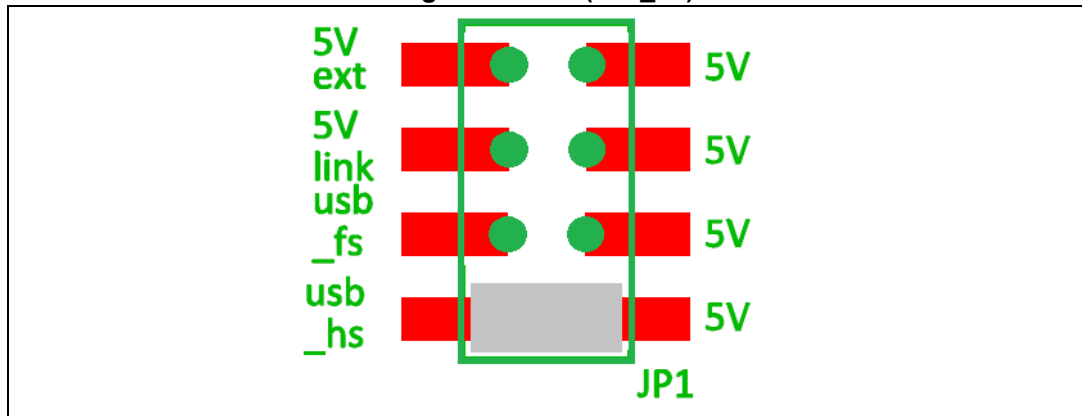
- 5V DC power with 500 mA limitation from CN13, the USB OTG FS micro-AB connector (USB 5V power source on silkscreen of JP1 (usb\_fs)).

Figure 10. JP1 (usb\_fs)



- 5V DC power with 500 mA limitation from CN12, the USB OTG HS micro-AB connector (USB 5V power source on silkscreen of JP1 (usb\_hs)).

Figure 11. JP1 (usb\_hs)



### 6.3 Programming/debugging when the power supply is not from ST-LINK (5V link)

It is mandatory to power the board first using JP1 (5V ext) or (usb\_hs) or (usb\_fs), then connecting the USB cable to the PC. Proceeding this way ensures that the enumeration succeeds thanks to the external power source.

The following power sequence procedure must be respected:

1. Connect the jumper JP1 on (5V ext) or (usb\_hs) or (usb\_fs)
2. Connect the external power source to JP2 or CN6 or CN12 or CN13
3. Check the red LED LD2 is turned ON
4. Connect the PC to USB connector CN14

If this order is not respected, the board may be powered by VBUS first from ST-LINK, and the following risks may be encountered:

1. If more than 500 mA current is needed by the board, the PC may be damaged or current can be limited by the PC. As a consequence the board is not powered correctly.
2. 500 mA will be requested at the enumeration, so there is a risk that the request is rejected and enumeration does not succeed if the PC cannot provide such current.

## 6.4 Clock sources

Up to 3 clock sources as described below:

- X1, 24 MHz oscillator for the USB OTG HS PHY and camera module (daughterboard)
- X2, 25 MHz oscillator for the STM32F746NGH6 microcontroller and Ethernet PHY
- X3, 32 KHz crystal for the STM32F746NGH6 embedded RTC

## 6.5 Reset sources

The reset signal of STM32F746G-DISCO discovery board is active low and the reset sources include:

- Reset button B2
- Arduino Uno shield board from CN6
- Embedded ST-LINK/V2-1

## 6.6 Audio

An audio codec WM8994ECS/R from CIRRUS with 4 DACs and 2ADCs is connected to SAI interface of STM32F746NGH6. It communicates with STM32F746NGH6 via I<sup>2</sup>C bus shared with the camera module and I<sup>2</sup>C extension connector.

- The analog line input is connected to ADC of WM8994ECS/R through blue audio jack CN11.
- The analog line output is connected to DAC of WM8994ECS/R via green audio jack CN10.
- Two external speakers can be connected to WM8994ECS/R via JP3 for right speaker and JP4 for left speaker.
- Two digital microphones (ST MEMs microphone) MP34DT01TR are on the STM32F746G-DISCO discovery board. They are connected to the input digital microphones of WM8994ECS/R.
- One coaxial connector CN1 is implemented on STM32F746G-DISCO to receive external audio data compatible with SPDIF specification.

## 6.7 USB OTG FS

The STM32F746G-DISCO discovery board supports USB OTG full speed communication via a USB micro-AB connector (CN13) and USB power switch (U6) connected to VBUS. The discovery board can be powered by this USB connection at 5V DC with 500mA current limitation.

A green LED LD5 will be lit in one of these cases:

- Power switch (U6) is ON and STM32F746G-DISCO works as an USB host
- VBUS is powered by another USB host when STM32F746G-DISCO works as an USB device.

The red LED LD6 will be lit when an overcurrent occurs.

*Note:* STM32F746G-DISCO board should be powered by an external power supply when using OTG function.

## 6.8 USB OTG HS

The STM32F746G-DISCO discovery board supports the USB OTG high speed communication via a USB micro-AB connector (CN12), USB high speed PHY (U15) USB3320C-EZK from MICROCHIP for high speed function.

The discovery board can be powered by the USB connectors (CN12) at 5V DC with 500mA current limitation.

A USB power switch (U7) is also connected on VBUS and provides power to CN12.

The green LED LD4 will be lit in one of these cases:

- Power switch (U17) is ON and STM32F746G-DISCO works as an USB host
- VBUS is powered by another USB host when STM32F746G-DISCO works as an USB device.

The red LED LD3 will be lit when an overcurrent occurs.

*Note:* STM32F746G-DISCO board should be powered by an external power supply when using OTG function.

## 6.9 microSD card

The 2-Gbyte (or more) microSD card connected to the SDMMC1 port of the STM32F746NGH6 is supported by the board.

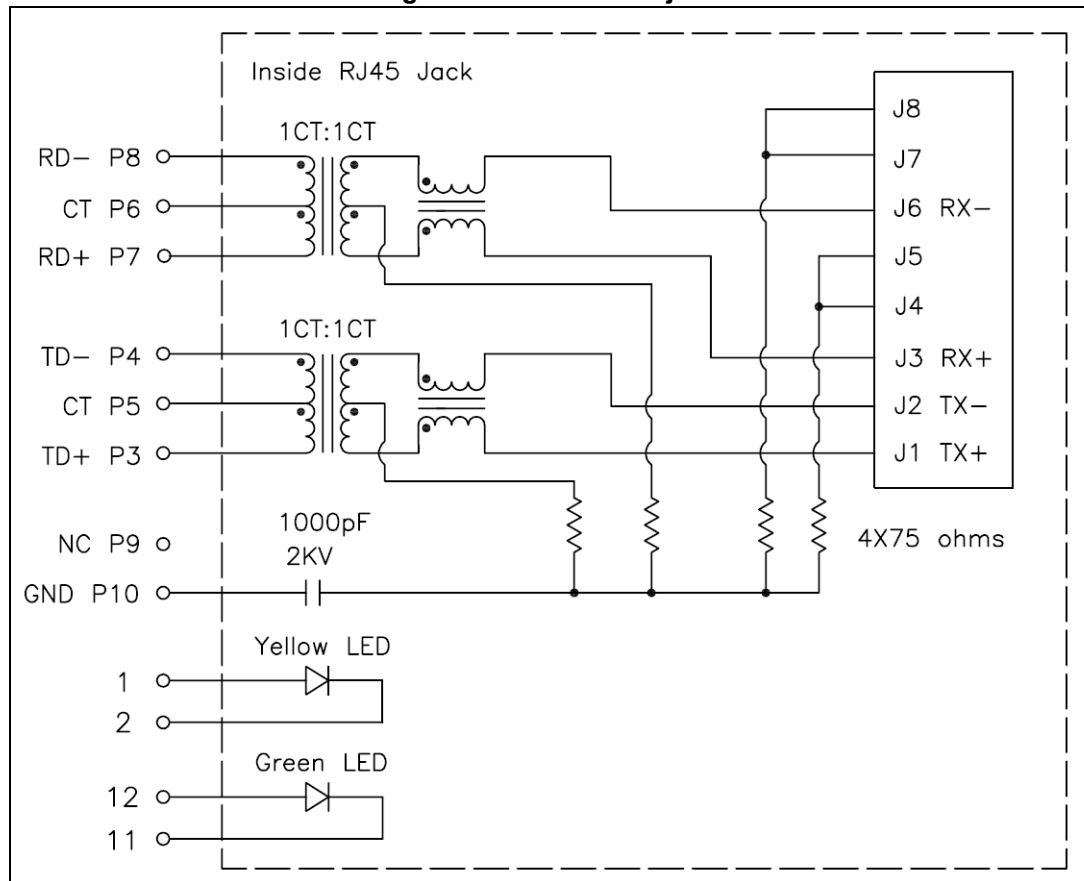


## 6.10 Ethernet

The STM32F746G-DISCO discovery board supports 10/100-Mbit Ethernet communication by a PHY LAN8742A-CZ-TR (U9) from MICROCHIP and RJ45 jack (CN9). Ethernet PHY is connected to STM32F746NGH6 via RMII interface.

25 MHz clock for the PHY is generated by the oscillator X2, the 50 MHz clock for the STM32F746NGH6 is generated by the PHY RMII\_REF\_CLK.

Figure 12. Inside RJ45 jack



## 6.11 SDRAM memory

128-Mbit SDRAM (MT48LC4M32B2B5-6A from MICRON) is connected to the FMC interface of the STM32F746NGH6. Only the lowest 16-bit data are used (64-Mbit accessible). DQ16 to DQ31 are unused and connected to a 10K ohm pull-down resistor.

## 6.12 Quad-SPI Nor Flash memory

128-Mbit Quad-SPI Nor Flash memory (N25Q128A13EF840E from MICRON) is connected to the Quad-SPI interface of the STM32F746NGH6.

### **6.13 Camera module**

A connector P1 with the DCMI signals is available to connect a camera module such as STM32F4DIS-CAM (ST order code).

### **6.14 Display LCD-TFT**

The color display from ROCKTECH, 4.3-inch 480x272 LCD-TFT with capacitive touch panel is connected to RGB LCD interface of the STM32F746NGH6.

## 7 Connectors

### 7.1 I<sup>2</sup>C extension connector CN2

Figure 13. I<sup>2</sup>C extension connector CN2 (front view)

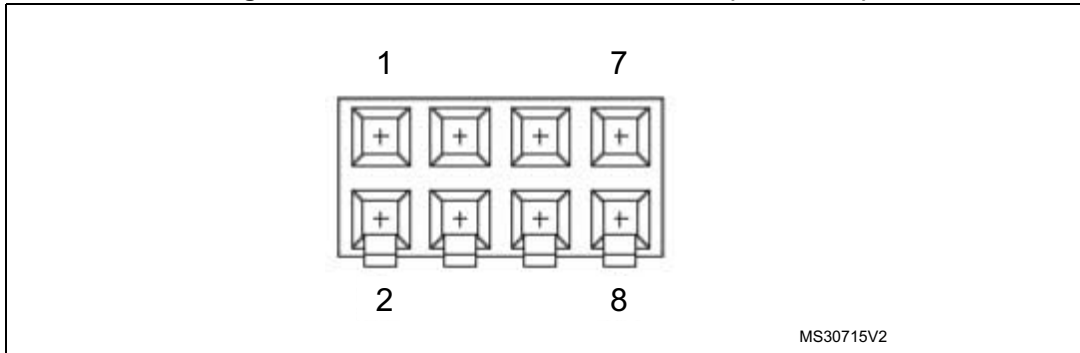


Table 1. I<sup>2</sup>C extension connector CN2

Pin number	Description	Pin number	Description
1	I2C_SDA (PB9)	5	+3V3
2	NC	6	NC
3	I2C_SCL (PB8)	7	GND
4	RESET(PC10)	8	NC or 5V

### 7.2 Camera module connector P1

Figure 14. Camera module connector P1 (front view)

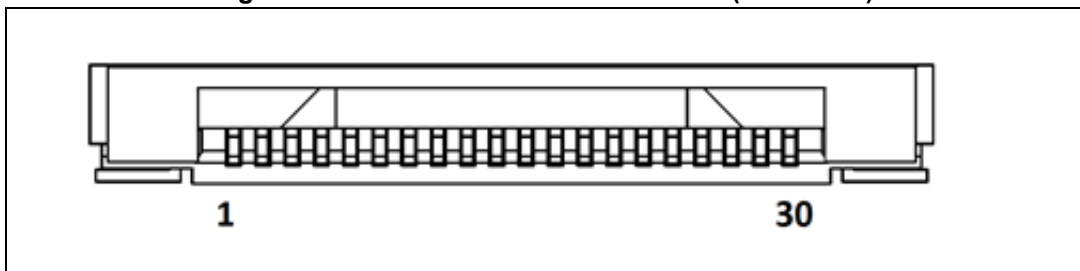


Table 2. Camera module connector P1

Pin number	Description	Pin number	Description
1	GND	16	GND
2	NC	17	DCMI_HSYNC
3	NC	18	NC
4	DCMI_D0	19	DCMI_VSYNC
5	DCMI_D1	20	3V3

Table 2. Camera module connector P1 (continued)

Pin number	Description	Pin number	Description
6	DCMI_D2	21	Camera_CLK (OSC_24M)
7	DCMI_D3	22	NC
8	DCMI_D4	23	GND
9	DCMI_D5	24	NC
10	DCMI_D6	25	DCMI_PWR_EN
11	DCMI_D7	26	DCMI_NRST
12	NC	27	DCMI_SDA
13	NC	28	DCMI_SCL
14	GND	29	GND
15	DCMI_PIXCK	30	3V3

### 7.3 Arduino Uno V3 connectors

CN4, CN5, CN6 and CN7 are female connectors compatible with Arduino standard. Most shields designed for Arduino can fit to the STM32F746G-DISCO discovery board.

The Arduino connectors on STM32F746G-DISCO discovery board support the Arduino Uno V3.

**Caution:** The IOs of STM32 microcontroller are 3.3 V compatible instead of 5 V for Arduino Uno.

Table 3. Arduino connectors (CN4, CN5, CN6, CN7)

Left connectors					Right connectors				
CN No.	Pin No.	Pin Name	MCU Pin	Function	Function	MCU Pin	Pin Name	Pin No.	CN No.
<b>CN6 power</b> 1 NC - - 2 IOREF - 3.3V Ref 3 RESET NRST RESET 4 +3V3 - 3.3V input/output 5 +5V - 5V output 6 GND - Ground 7 GND - Ground 8 VIN - Power input					I2C1_SCL	PB8	D15	10	<b>CN7 digital</b>
					I2C1_SDA	PB9	D14	9	
					AVDD	-	AREF	8	
					Ground	-	GND	7	
					SPI2_SCK	PI1	D13	6	
					SPI2_MISO	PB14	D12	5	
					TIM12_CH2, SPI2_MOSI	PB15	D11	4	
					TIM5_CH4, SPI2_NSS	PI0	D10	3	
-					TIM2_CH1	PA15	D9	2	<b>CN4 digital</b>
					-	PI2	D8	1	
<b>CN5 analog</b> 1 A0 PA0 ADC3_IN0 2 A1 PF10 ADC3_IN8 3 A2 PF9 ADC3_IN7 4 A3 PF8 ADC3_IN6 5 A4 PF7 or PB <sup>(1)</sup> ADC3_IN5 (PF7) or I2C1_SDA (PB9) 6 A5 PF6 or PB8 <sup>(1)</sup> ADC3_IN4 (PC0) or I2C1_SCL (PB8)					-				
					-	PI3	D7	8	
					TIM12_CH1	PH6	D6	7	
					TIM1_CH1	PA8	D5	6	
					-	PG7	D4	5	
					TIM3_CH1	PB4	D3	4	
					-	PG6	D2	3	
					USART6_TX	PC6	D1	2	
					USART6_RX	PC7	D0	1	

1. Please refer to [Table 10](#) for details.

### 7.4 USB OTG HS micro-AB connector CN12

Figure 15. USB OTG micro-AB connector CN12 (front view)

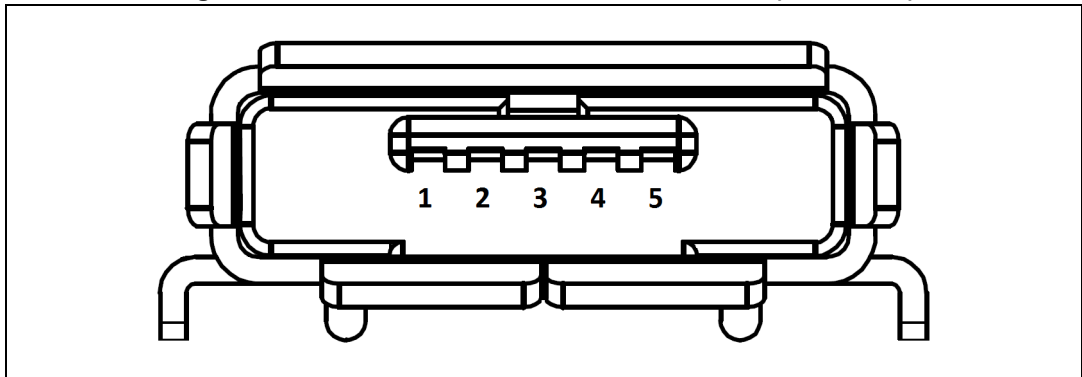
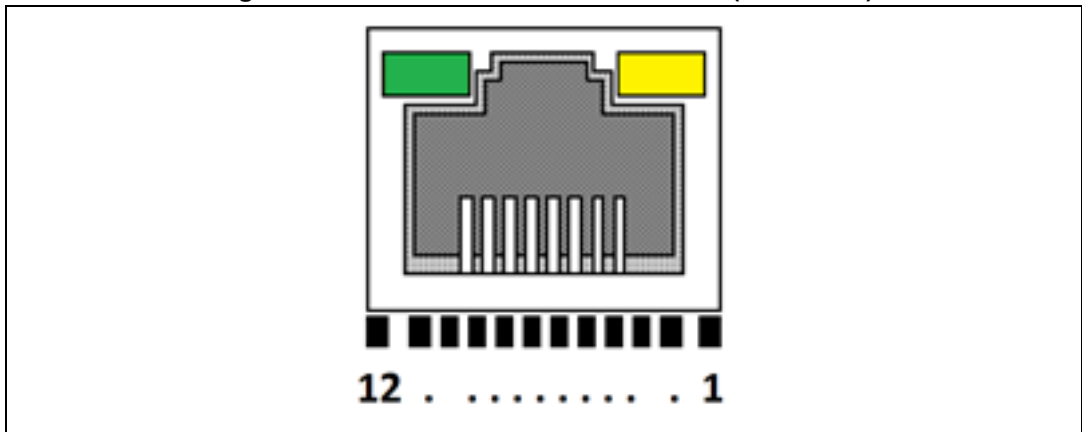


Table 4. USB OTG HS micro-AB CN12

Pin number	Description	Pin number	Description
1	VBUS	4	ID
2	D-	5	GND
3	D+	-	-

### 7.5 Ethernet RJ45 connector CN9

Figure 16. Ethernet RJ45 connector CN9 (front view)

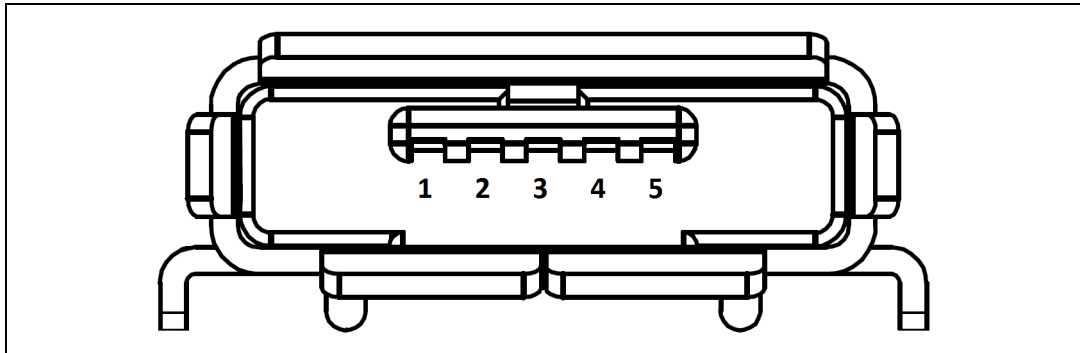


**Table 5. RJ45 connector CN9**

Pin number	Description	Pin number	Description
1	A, yellow LED	7	RD+
2	K, yellow LED	8	RD-
3	TD+	9	NC
4	TD-	10	GND
5	CT, 3V3	11	K, green LED
6	CT, 3V3	12	A, green LED

## 7.6 USB OTG FS micro-AB connector CN13

**Figure 17. USB OTG micro-AB connector CN13 (front view)**



**Table 6. USB OTG FS micro-AB connector CN13**

Pin number	Description	Pin number	Description
1	VBUS (PA9)	4	ID (PA10)
2	D- (PA11)	5	GND
3	D+ (PA12)	-	-

## 7.7 microSD connector CN3

Figure 18. microSD connector CN3 (front view)

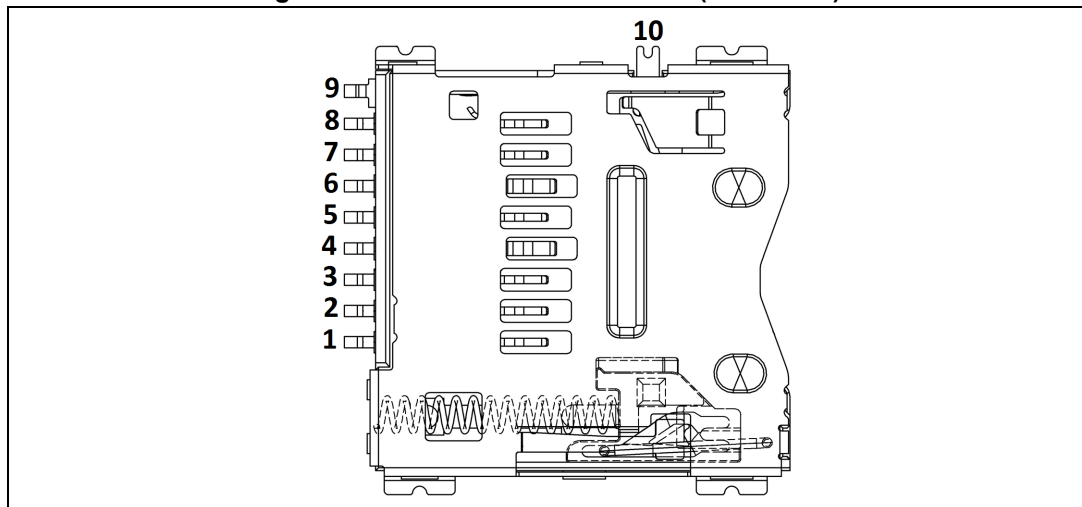


Table 7. microSD connector CN3

Pin number	Description	Pin number	Description
1	SDMMC_D2 (PC10)	6	Vss/GND
2	SDMMC_D3 (PC11)	7	SDMMC_D0 (PC8)
3	SDMMC_CMD (PD2)	8	SDMMC_D1 (PC9)
4	+3.3V	9	GND
5	SDMMC_CK (PC12)	10	MicroSDcard_detect (PC13)

## 7.8 ST-LINK/V2-1 USB type B connector CN14

The USB connector CN21 is used to connect the embedded ST-LINK/V2-1 to the PC for programming and debugging of the STM32F746NGH6 microcontroller.

Figure 19. USB type B connector CN14 (front view)

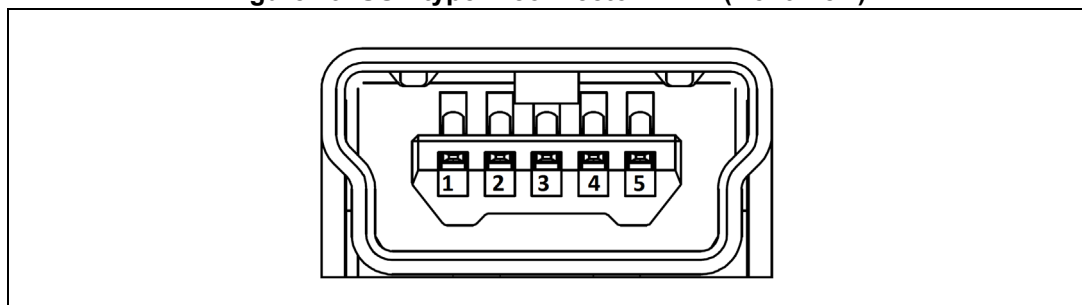




Table 8. USB type B connector CN14

Pin number	Description	Pin number	Description
1	VBUS (power)	4	GND
2	DM	5, 6	Shield
3	DP	-	-

## 7.9 Audio stereo speakers JP3 and JP4

The stereo audio outputs JP3 and JP4 are available to support stereo speakers (left and right).

## 7.10 Audio green jack (line Out) CN10

A 3.5 mm stereo audio green jack output CN10 is available to support the headphone.

## 7.11 Audio blue jack (line In) CN11

A 3.5 mm stereo audio blue jack input CN11 is available to support the audio-line input.

## 7.12 SPDIF input RCA connector CN1

Table 9. SPDIF input RCA connector CN1

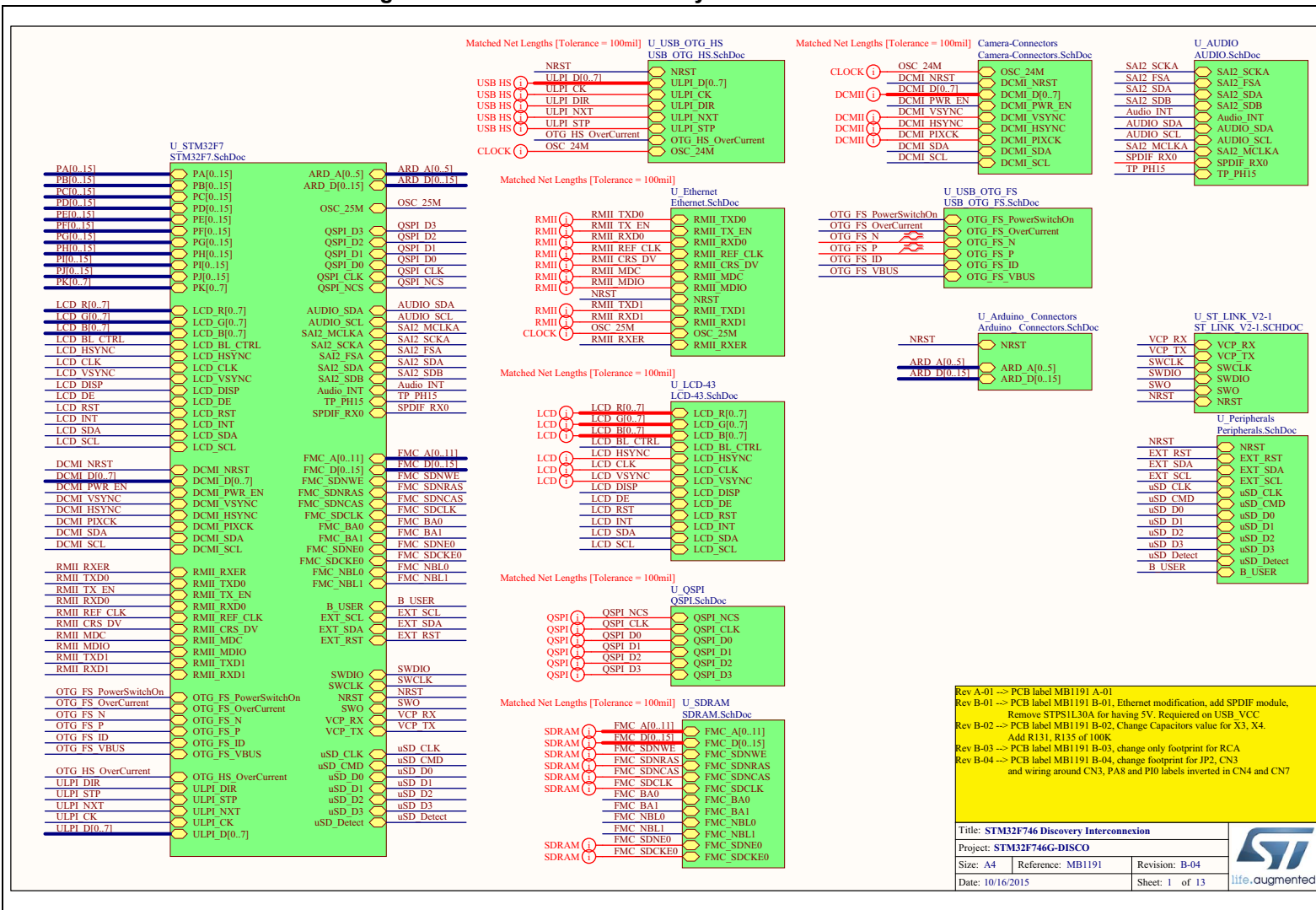
Pin number	Description	Pin number	Description
1	SPDIF_RX0 (PD7)	2	GND
2	GND	-	-

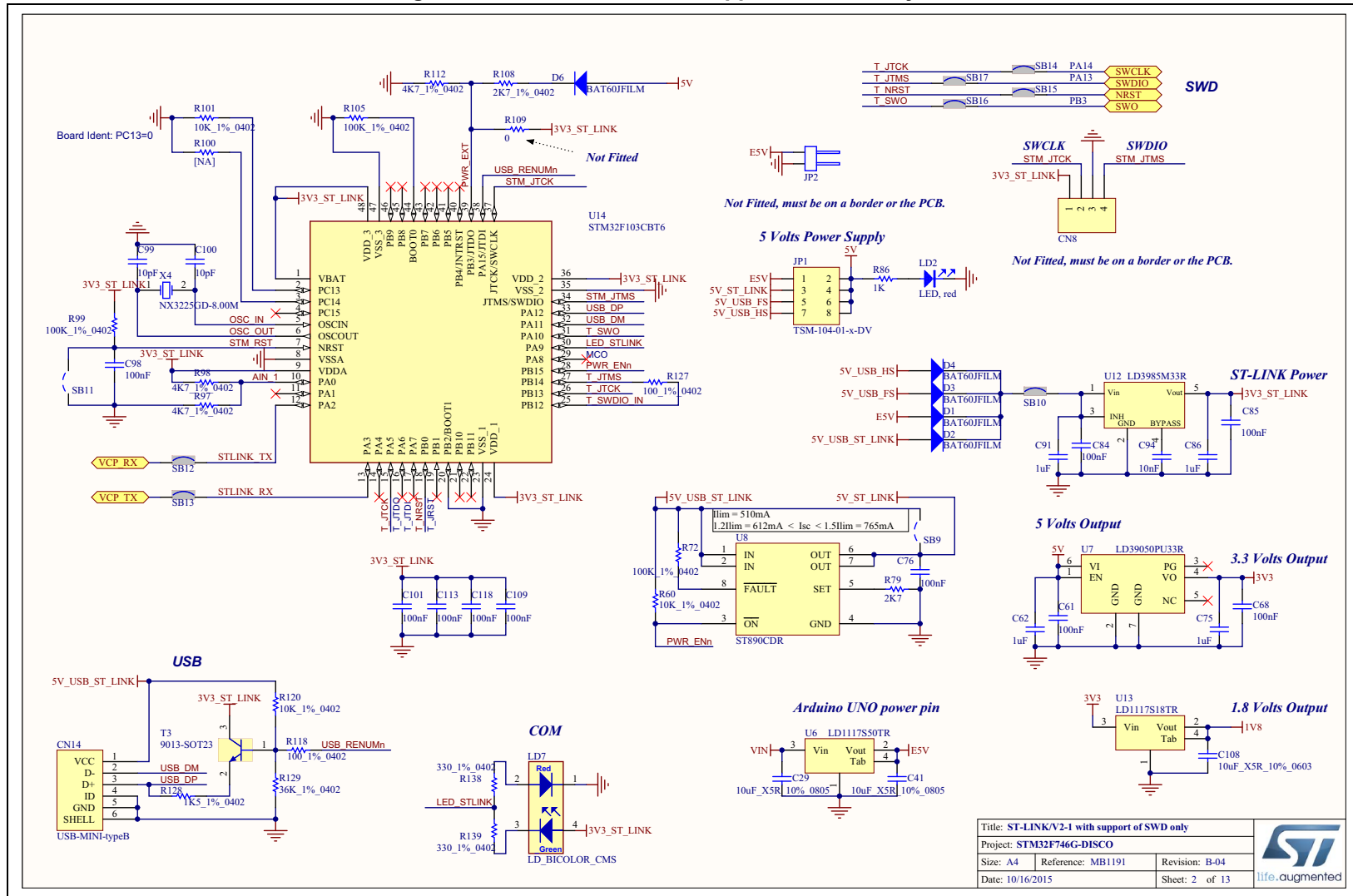


# 8

# Electrical schematics

### Figure 20. STM32F746 discovery interconnection



**Figure 21. ST-LINK/V2-1 with support of SWD only**


Title: ST-LINK/V2-1 with support of SWD only		
Project: STM32F746-DISCO		
Size: A4	Reference: MB1191	Revision: B-04
Date: 10/16/2015		Sheet: 2 of 13



Figure 22. Joystick, LEDs and pushbutton

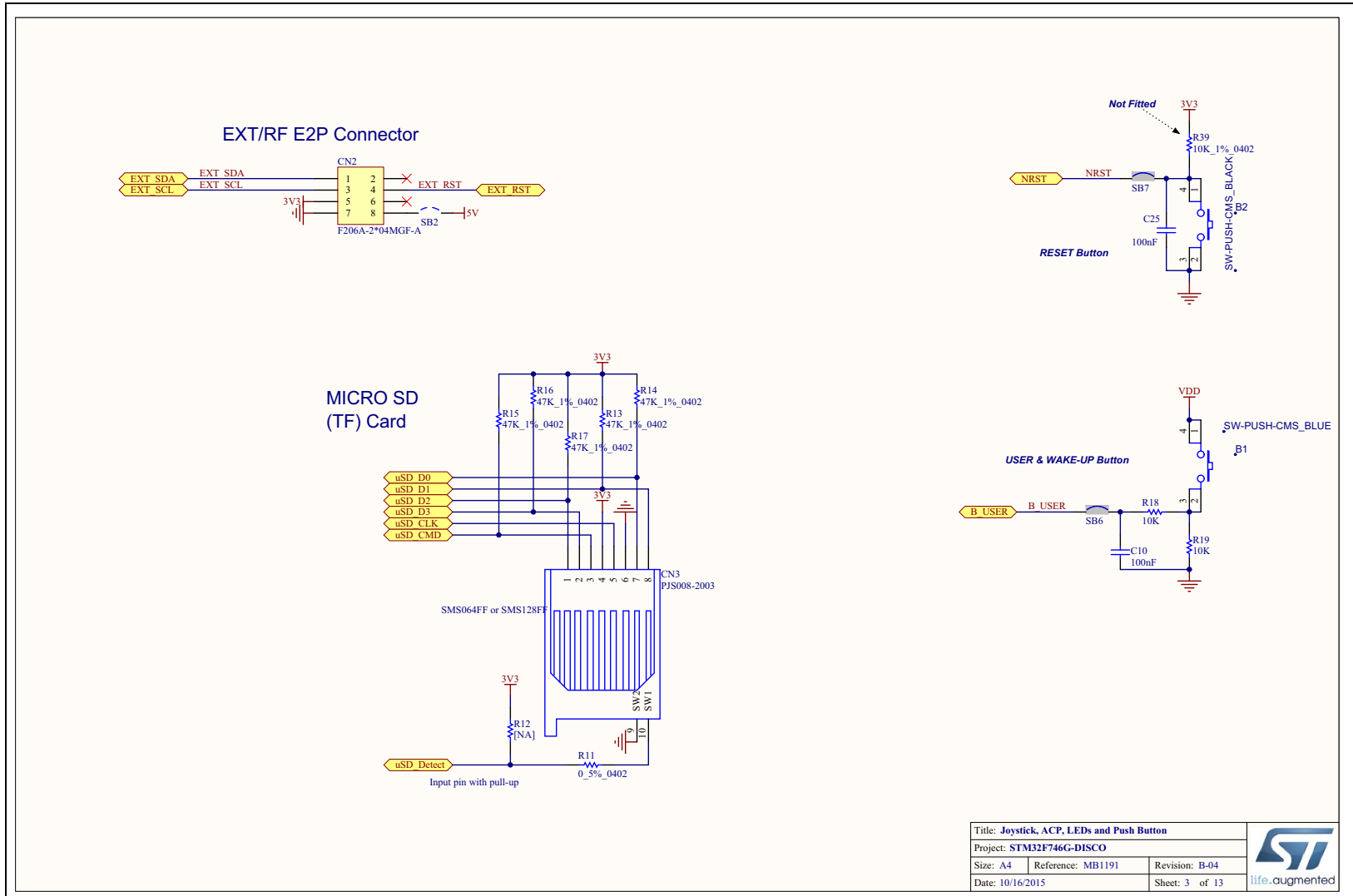
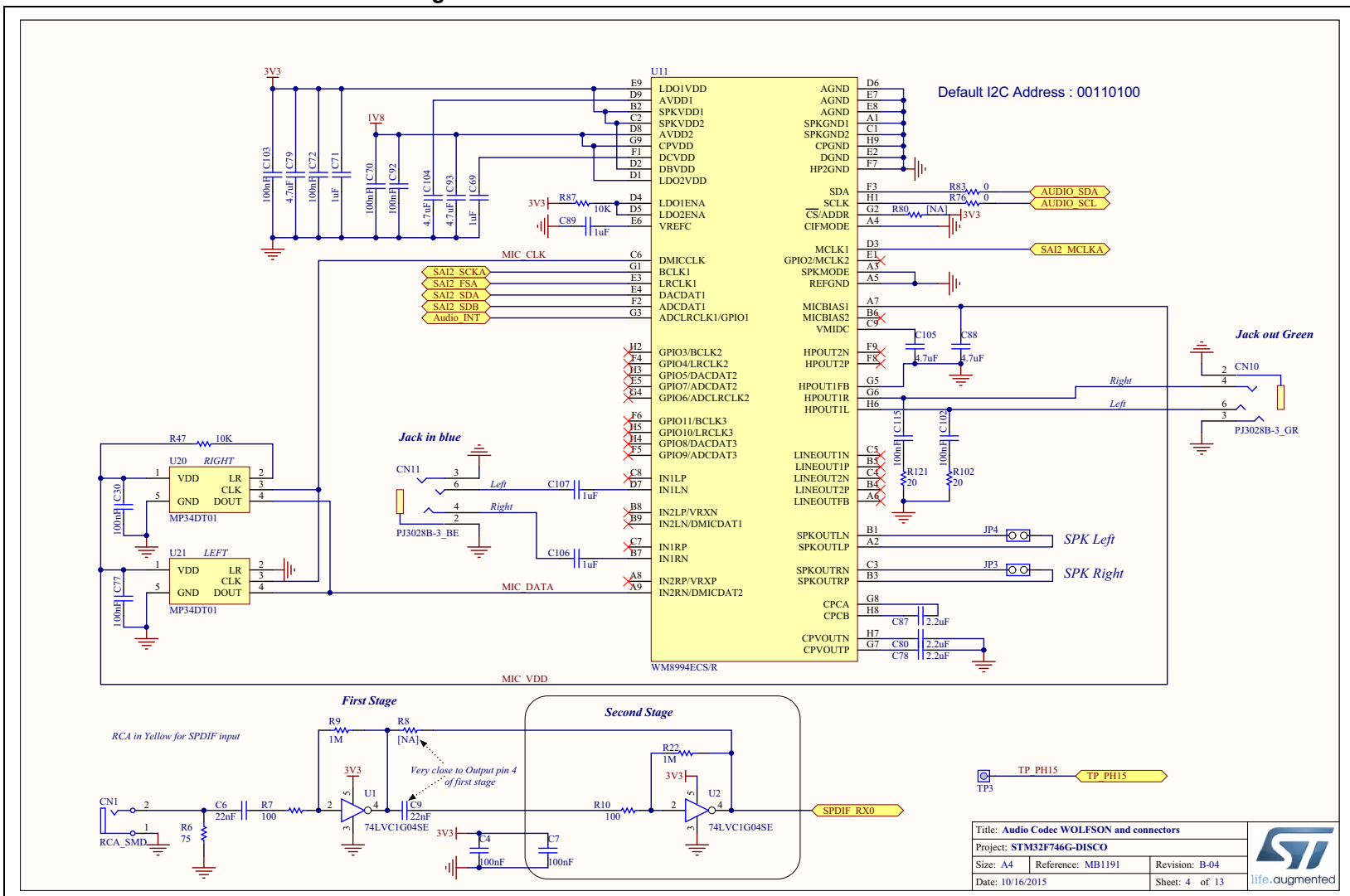


Figure 23. Audio codec Cirrus and connectors



Title: Audio Codec WOLFSON and connectors			
Project: STM32F746G-DISCO			
Size: A4	Reference: MB1191	Revision: B-04	
Date: 10/16/2015	Sheet: 4 of 13	life.augmented	

Figure 24. Quad-SPI Flash memory (MICRON)

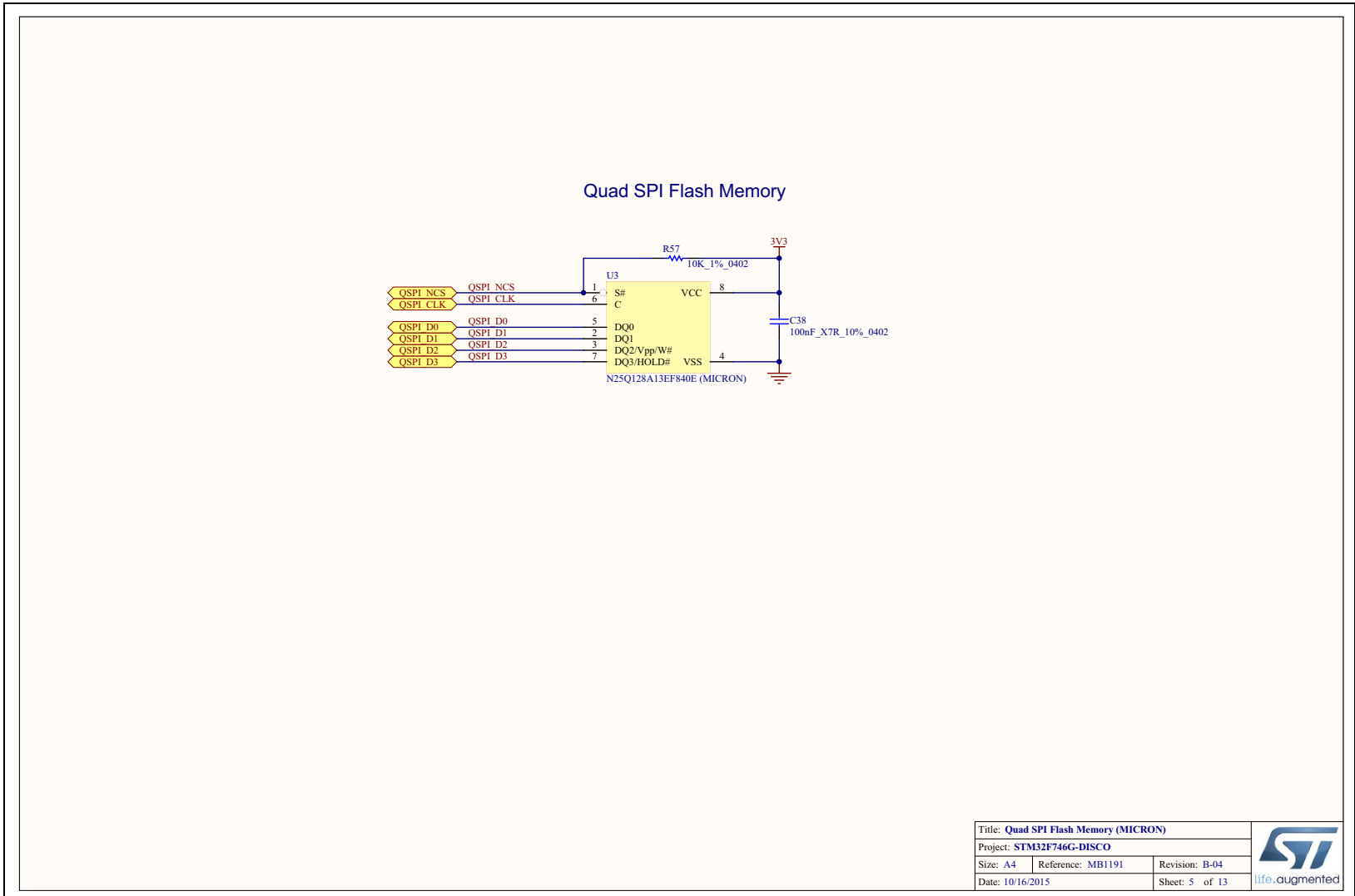
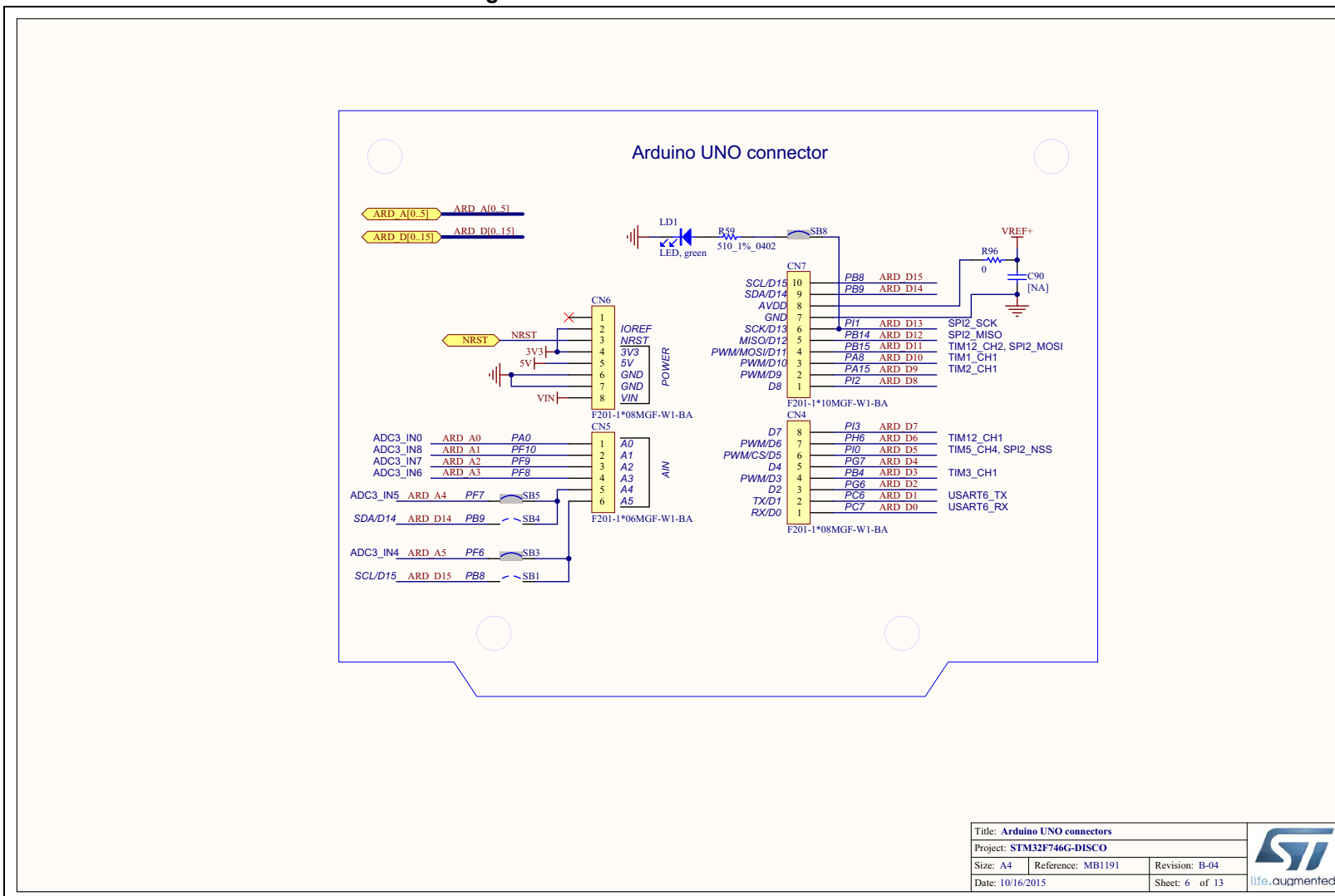


Figure 25. Arduino Uno connectors



Title: <b>Arduino UNO connectors</b>			
Project: <b>STM32F746G-DISCO</b>			
Size: A4	Reference: MB1191		Revision: B-04
Date: 10/16/2015			Sheet: 6 of 13



Figure 26. SDRAM (MICRON)

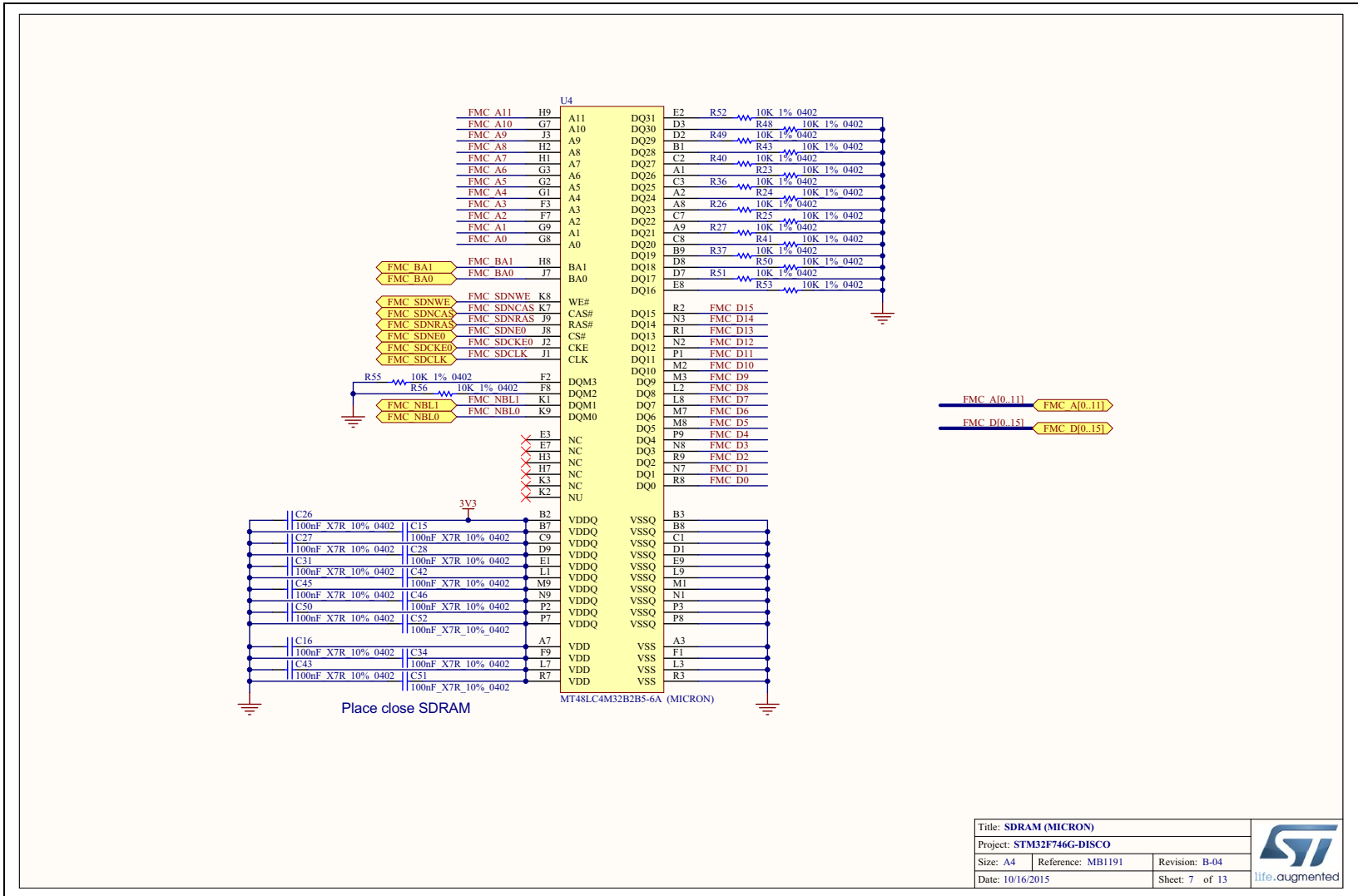




Figure 27. USB OTG FS with micro A-B connector

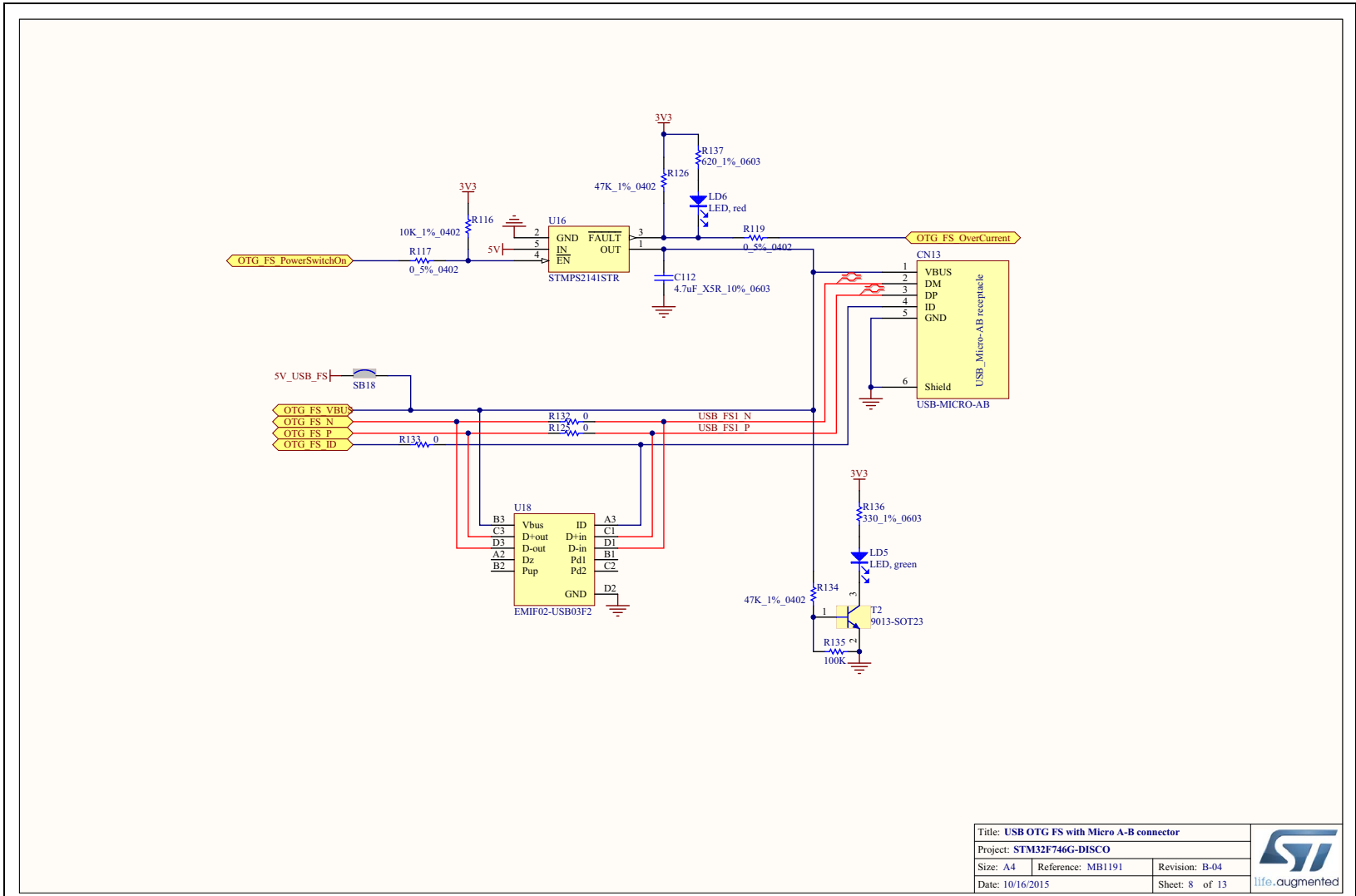




Figure 28. STM32F746NGH6 connection

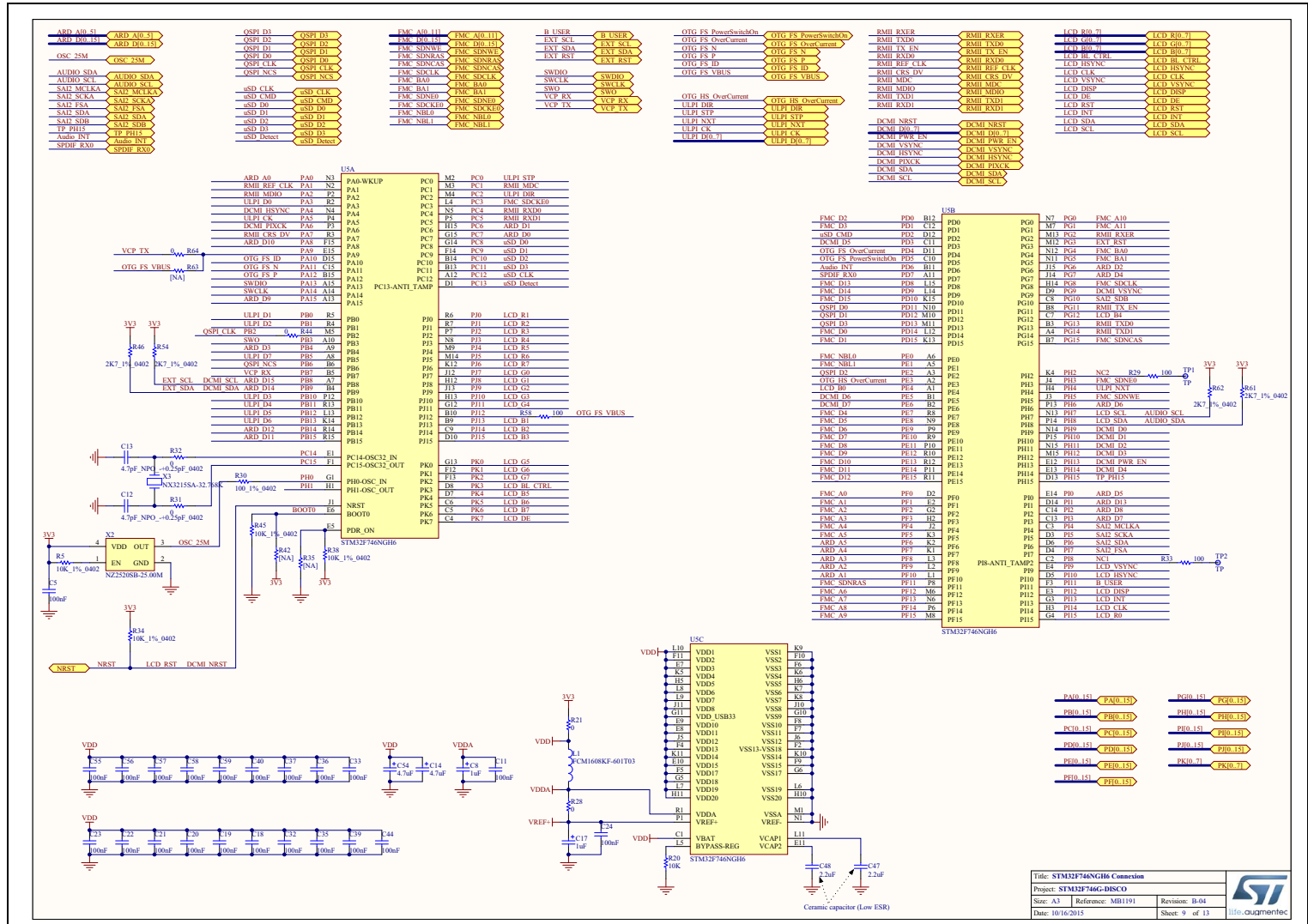
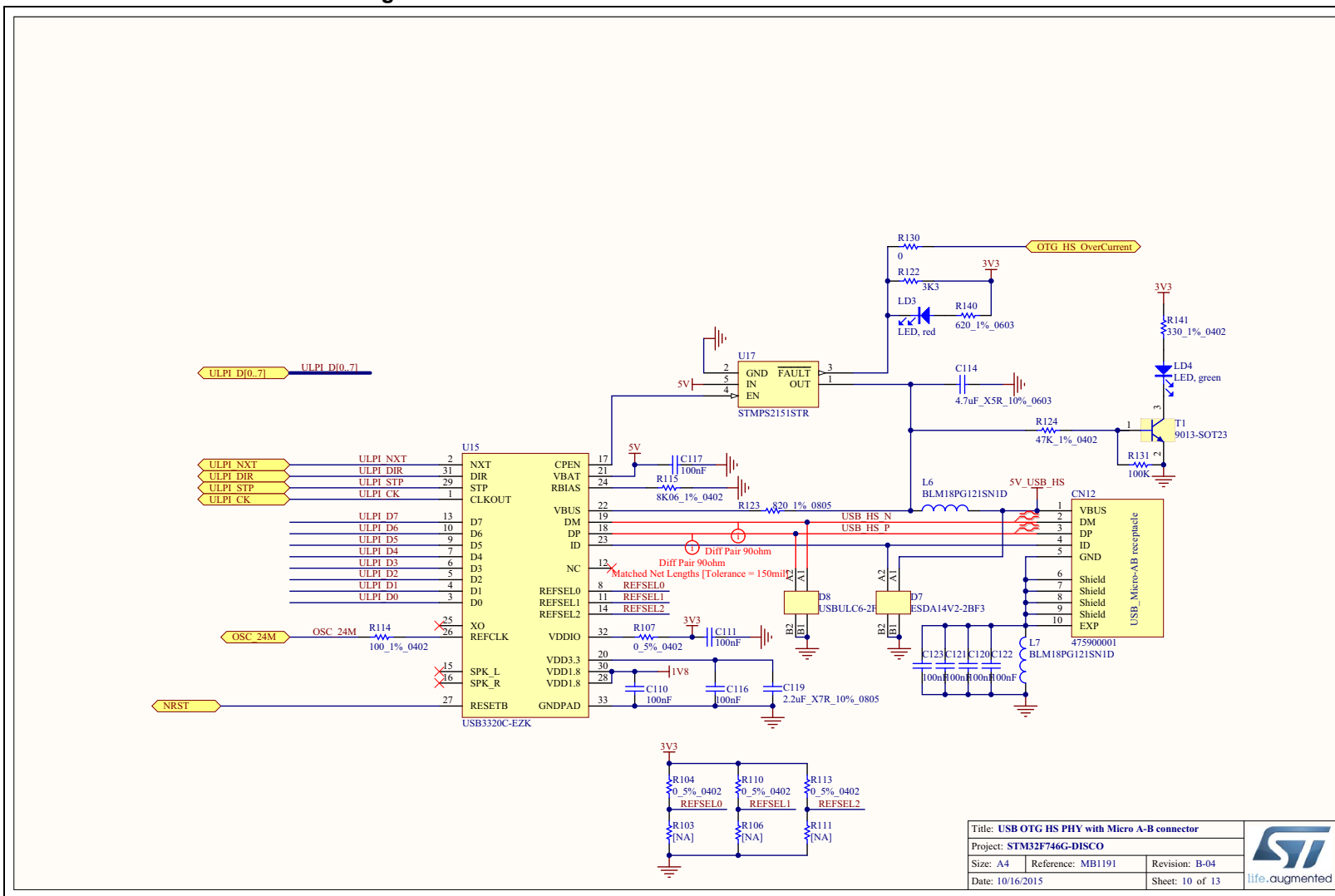


Figure 29. USB OTG HS PHY with micro A-B connector



Title: USB OTG HS PHY with Micro A-B connector			
Project: STM32F746G-DISCO			
Size: A4	Reference: MB1191		Revision: B-04
Date: 10/16/2015			Sheet: 10 of 13



Figure 30. Ethernet PHY with RJ45 connector

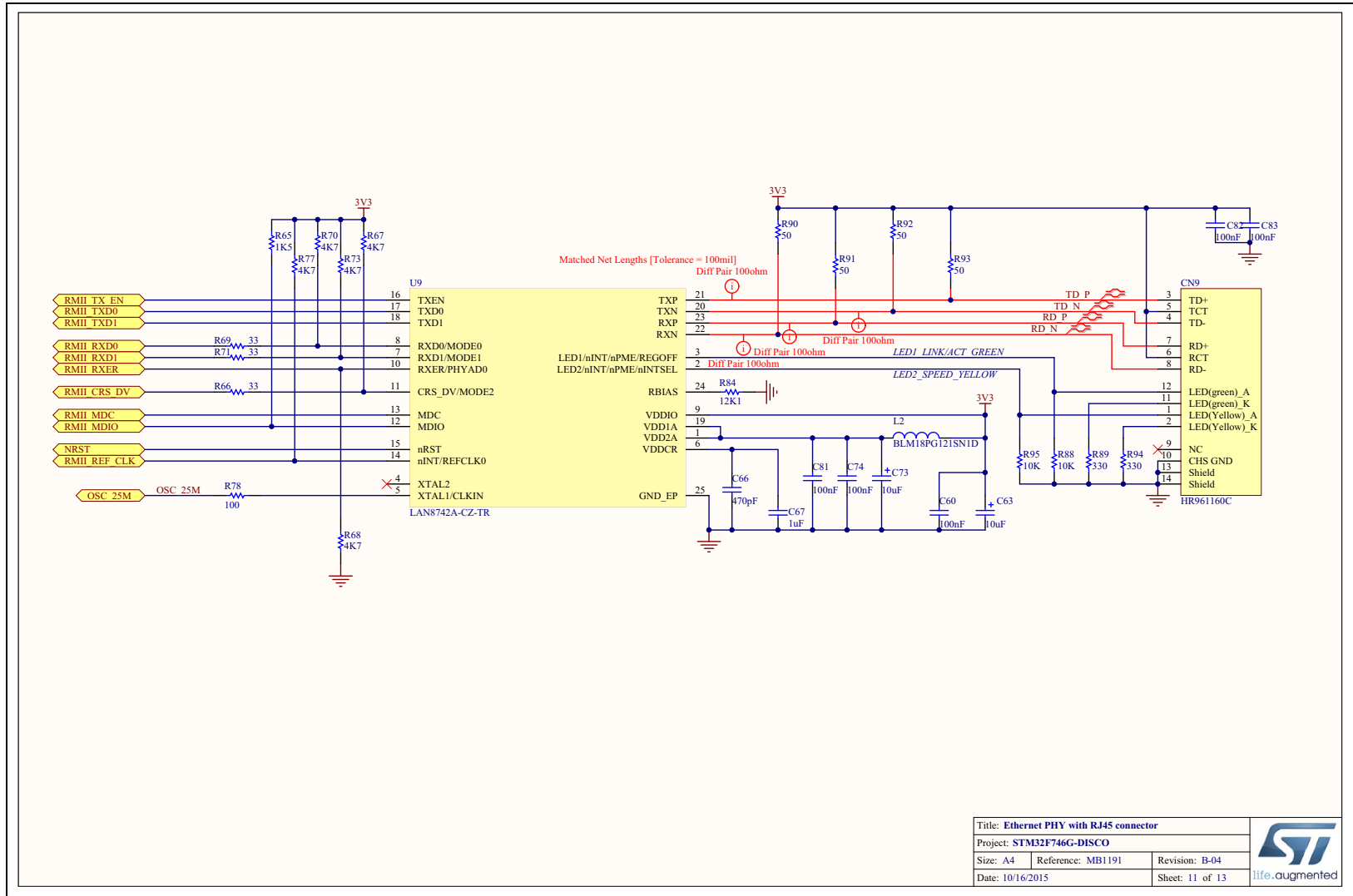
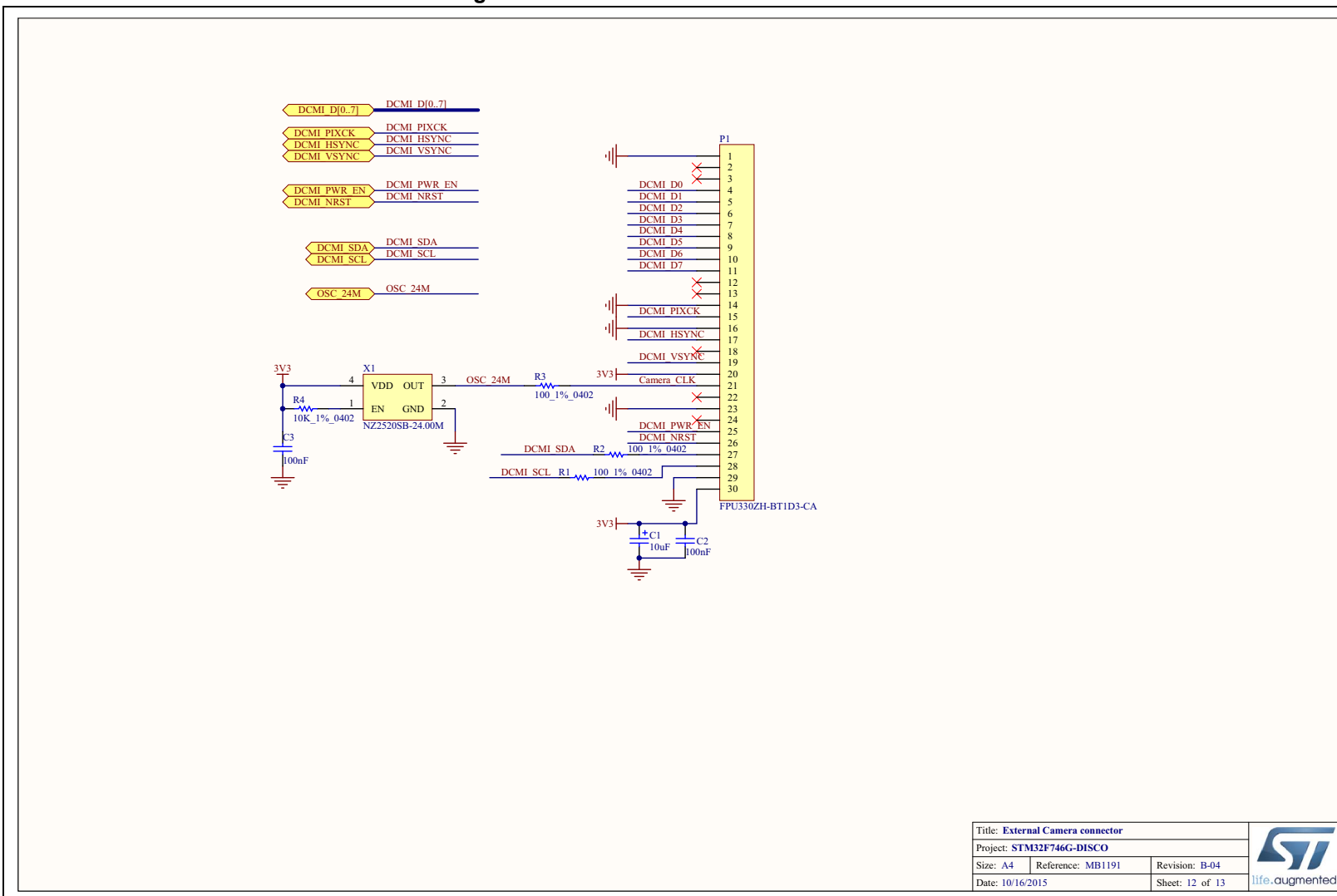


Figure 31. External camera connector

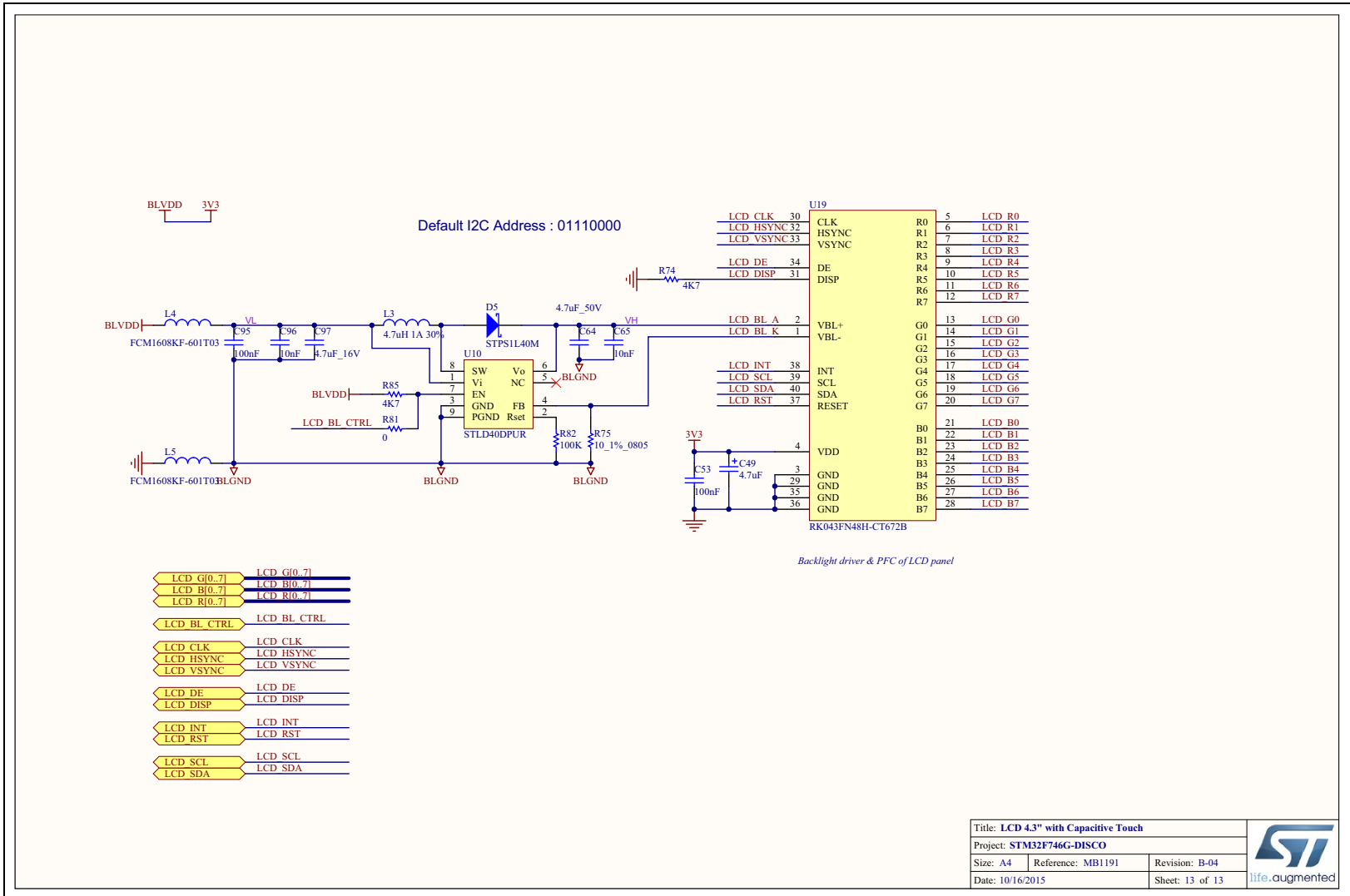


Title: External Camera connector	
Project: STM32F746G-DISCO	
Size: A4	Reference: MB1191
Date: 10/16/2015	Revision: B-04
Sheet: 12 of 13	





Figure 32. 4.3-inch LCD with capacitive touch



## Appendix A STM32F746G-DISCO IO assignment

Table 10. STM32F746G-DISCO IO assignment

Pin No.	Pin Name	Signal or Label	Comment
A1	PE4	LTDC_B0	-
A2	PE3	OTG_HS_OverCurrent	-
A3	PE2	QUADSPI_BK1_IO2	-
A4	PG14	ETH_TXD1	-
A5	PE1	FMC_NBL1	-
A6	PE0	FMC_NBL0	-
A7	PB8	ARDUINO SCL/D15	-
A8	PB5	USB_OTG_HS_ULPI_D7	-
A9	PB4	ARDUINO PWM/D3	-
A10	PB3	SYS_JTDO-SWO	-
A11	PD7	SPDIF_RX0	-
A12	PC12	SDMMC_CK	-
A13	PA15	ARDUINO PWM/D9	-
A14	PA14	SYS_JTCK-SWCLK	-
A15	PA13	SYS_JTMS-SWDIO	-
B1	PE5	DCMI_D6	-
B2	PE6	DCMI_D7	-
B3	PG13	ETH_TXD0	-
B4	PB9	ARDUINO SDA/D14	-
B5	PB7	VCP_RX	-
B6	PB6	QUADSPI_BK1_NCS	-
B7	PG15	FMC_SDNCAS	-
B8	PG11	ETH_TX_EN	-
B9	PJ13	LTDC_B1	-
B10	PJ12	OTG_FS_VBUS	(1)
B11	PD6	Audio_INT	-
B12	PD0	FMC_D2_DA2	-
B13	PC11	SDMMC_D3	-
B14	PC10	SDMMC_D2	-
B15	PA12	USB_OTG_FS_DP	-
C1	VBAT	-	Connected to VDD
C2	PI8	NC1	-

Table 10. STM32F746G-DISCO IO assignment (continued)

Pin No.	Pin Name	Signal or Label	Comment
C3	PI4	SAI2_MCLK_A	-
C4	PK7	LTDC_DE	-
C5	PK6	LTDC_B7	-
C6	PK5	LTDC_B6	-
C7	PG12	LTDC_B4	-
C8	PG10	SAI2_SD_B	-
C9	PJ14	LTDC_B2	-
C10	PD5	OTG_FS_PowerSwitchOn	-
C11	PD3	DCMI_D5	-
C12	PD1	FMC_D3_DA3	-
C13	PI3	ARDUINO D7	-
C14	PI2	ARDUINO D8	-
C15	PA11	USB_OTG_FS_DM	-
D1	PC13	uSD_Detect	-
D2	PF0	FMC_A0	-
D3	PI5	SAI2_SCK_A	-
D4	PI7	SAI2_FS_A	-
D5	PI10	LTDC_HSYNC	-
D6	PI6	SAI2_SD_A	-
D7	PK4	LTDC_B5	-
D8	PK3	LCD_BL_CTRL	-
D9	PG9	DCMI_VSYNC	-
D10	PJ15	LTDC_B3	-
D11	PD4	OTG_FS_OverCurrent	-
D12	PD2	SDMMC_CMD	-
D13	PH15	TP3	-
D14	PI1	ARDUINO SCK/D13	-
D15	PA10	USB_OTG_FS_ID	-
E1	PC14/OSC32_IN	RCC_OSC32_IN	-
E2	PF1	FMC_A1	-
E3	PI12	LCD_DISP	-
E4	PI9	LTDC_VSYNC	-
E5	PDR_ON	-	Connected to PU R38
E6	BOOT0	-	Connected to PD R45
E7	VDD	-	-



Table 10. STM32F746G-DISCO IO assignment (continued)

Pin No.	Pin Name	Signal or Label	Comment
E8	VDD	-	-
E9	VDD	-	-
E10	VDD	-	-
E11	VCAP_2	-	Connected to C48
E12	PH13	DCMI_PWR_EN	-
E13	PH14	DCMI_D4	-
E14	PI0	ARDUINO PWM/CS/D10	-
E15	PA9	VCP_TX	(1)
F1	PC15/OSC32_OUT	RCC_OSC32_OUT	-
F2	VSS	-	-
F3	PI11	B_USER	-
F4	VDD	-	-
F5	VDD	-	-
F6	VSS	-	-
F7	VSS	-	-
F8	VSS	-	-
F9	VSS	-	-
F10	VSS	-	-
F11	VDD	-	-
F12	PK1	LTDC_G6	-
F13	PK2	LTDC_G7	-
F14	PC9	SDMMC_D1	-
F15	PA8	ARDUINO PWM/D5	-
G1	PH0/OSC_IN	RCC_OSC_IN	-
G2	PF2	FMC_A2	-
G3	PI13	LCD_INT	-
G4	PI15	LTDC_R0	-
G5	VDD	-	-
G6	VSS	-	-
G10	VSS	-	-
G11	VDDUSB	-	Connected to VDD
G12	PJ11	LTDC_G4	-
G13	PK0	LTDC_G5	-
G14	PC8	SDMMC_D0	-
G15	PC7	ARDUINO RX/D0	-

Table 10. STM32F746G-DISCO IO assignment (continued)

Pin No.	Pin Name	Signal or Label	Comment
H1	PH1/OSC_OUT	RCC_OSC_OUT	-
H2	PF3	FMC_A3	-
H3	PI14	LTDC_CLK	-
H4	PH4	USB_OTG_HS_ULPI_NXT	-
H5	VDD	-	-
H6	VSS	-	-
H10	VSS	-	-
H11	VDD	-	-
H12	PJ8	LTDC_G1	-
H13	PJ10	LTDC_G3	-
H14	PG8	FMC_SDCLK	-
H15	PC6	ARDUINO TX/D1	-
J1	NRST	-	Hardware RESET
J2	PF4	FMC_A4	-
J3	PH5	FMC_SDNWE	-
J4	PH3	FMC_SDNE0	-
J5	VDD	-	-
J6	VSS	-	-
J10	VSS	-	-
J11	VDD	-	-
J12	PJ7	LTDC_G0	-
J13	PJ9	LTDC_G2	-
J14	PG7	ARDUINO D4	-
J15	PG6	ARDUINO D2	-
K1	PF7	ARDUINO A4	-
K2	PF6	ARDUINO A5	-
K3	PF5	FMC_A5	-
K4	PH2	NC2	-
K5	VDD	-	-
K6	VSS	-	-
K7	VSS	-	-
K8	VSS	-	-
K9	VSS	-	-
K10	VSS	-	-
K11	VDD	-	-

Table 10. STM32F746G-DISCO IO assignment (continued)

Pin No.	Pin Name	Signal or Label	Comment
K12	PJ6	LTDC_R7	-
K13	PD15	FMC_D1_DA1	-
K14	PB13	USB_OTG_HS_ULPI_D6	-
K15	PD10	FMC_D15_DA15	-
L1	PF10	ARDUINO A1	-
L2	PF9	ARDUINO A2	-
L3	PF8	ARDUINO A3	-
L4	PC3	FMC_SDCKE0	-
L5	BYPASS_REG	-	Connected to PD R20
L6	VSS	-	-
L7	VDD	-	-
L8	VDD	-	-
L9	VDD	-	-
L10	VDD	-	-
L11	VCAP_1	-	Connected to C47
L12	PD14	FMC_D0_DA0	-
L13	PB12	USB_OTG_HS_ULPI_D5	-
L14	PD9	FMC_D14_DA14	-
L15	PD8	FMC_D13_DA13	-
M1	VSSA	-	Connected to GND
M2	PC0	USB_OTG_HS_ULPI_STP	-
M3	PC1	ETH_MDC	-
M4	PC2	USB_OTG_HS_ULPI_DIR	-
M5	PB2/BOOT1	QUADSPI_CLK	-
M6	PF12	FMC_A6	-
M7	PG1	FMC_A11	-
M8	PF15	FMC_A9	-
M9	PJ4	LTDC_R5	-
M10	PD12	QUADSPI_BK1_IO1	-
M11	PD13	QUADSPI_BK1_IO3	-
M12	PG3	EXT_RST	-
M13	PG2	RMII_RXER	-
M14	PJ5	LTDC_R6	-
M15	PH12	DCMI_D3	-
N1	VREF-	-	Connected to GND

Table 10. STM32F746G-DISCO IO assignment (continued)

Pin No.	Pin Name	Signal or Label	Comment
N2	PA1	ETH_REF_CLK	-
N3	PA0/WKUP	ARDUINO A0	-
N4	PA4	DCMI_HSYNC	-
N5	PC4	ETH_RXD0	-
N6	PF13	FMC_A7	-
N7	PG0	FMC_A10	-
N8	PJ3	LTDC_R4	-
N9	PE8	FMC_D5_DA5	-
N10	PD11	QUADSPI_BK1_IO0	-
N11	PG5	FMC_A15_BA1	-
N12	PG4	FMC_A14_BA0	-
N13	PH7	I2C3_SCL	-
N14	PH9	DCMI_D0	-
N15	PH11	DCMI_D2	-
P1	VREF+	-	Connected to VDDA
P2	PA2	ETH_MDIO	-
P3	PA6	DCMI_PIXCK	-
P4	PA5	USB_OTG_HS_ULPI_CK	-
P5	PC5	ETH_RXD1	-
P6	PF14	FMC_A8	-
P7	PJ2	LTDC_R3	-
P8	PF11	FMC_SDNRAS	-
P9	PE9	FMC_D6_DA6	-
P10	PE11	FMC_D8_DA8	-
P11	PE14	FMC_D11_DA11	-
P12	PB10	USB_OTG_HS_ULPI_D3	-
P13	PH6	ARDUINO PWM/D6	-
P14	PH8	I2C3_SDA	-
P15	PH10	DCMI_D1	-
R1	VDDA	-	Connected to VREF+
R2	PA3	USB_OTG_HS_ULPI_D0	-
R3	PA7	ETH_CRS_DV	-
R4	PB1	USB_OTG_HS_ULPI_D2	-
R5	PB0	USB_OTG_HS_ULPI_D1	-
R6	PJ0	LTDC_R1	-

**Table 10. STM32F746G-DISCO IO assignment (continued)**

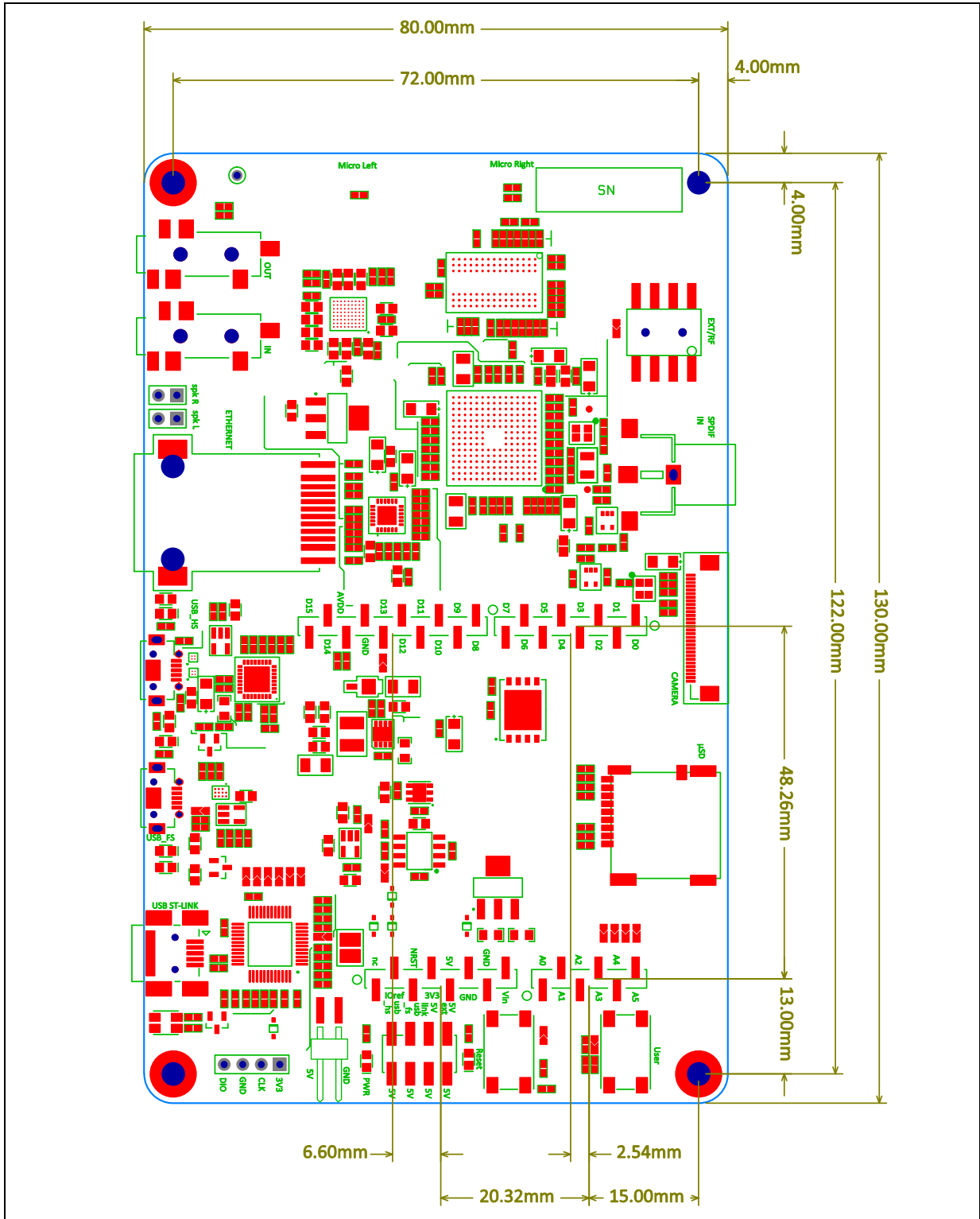
Pin No.	Pin Name	Signal or Label	Comment
R7	PJ1	LTDC_R2	-
R8	PE7	FMC_D4_DA4	-
R9	PE10	FMC_D7_DA7	-

1. By default OTG\_FS\_VBUS is driven by the software and not by the alternate function of the STM32F746NGH6 (R64 = ON, R63 = OFF, R58 = ON and PA9 = VCP\_TX (Virtual Com Port) and PJ12 = OTG\_FS\_VBUS).

To use the alternate function OTG\_FS\_VBUS of the STM32F746NGH6, it is needed to have: R64 = OFF, R63 = ON, R58 = OFF. In this configuration, VCP\_TX is no longer available and PA9 = OTG\_FS\_VBUS, PJ12 = not connected.

# Appendix B Mechanical drawing

Figure 33. Mechanical drawing



## Appendix C Compliance Statements

### C.1 Federal Communications Commission (FCC) and Industry Canada (IC) Compliance Statement

#### C.1.1 FCC Compliance Statement

##### Part 15.19

This device complies with Part 15 of the FCC Rules. Operation is subject to the following two conditions: (1) this device may not cause harmful interference, and (2) this device must accept any interference received, including interference that may cause undesired operation.

##### Part 15.105

This equipment has been tested and found to comply with the limits for a Class B digital device, pursuant to part 15 of the FCC Rules. These limits are designed to provide reasonable protection against harmful interference in a residential installation. This equipment generates uses and can radiate radio frequency energy and, if not installed and used in accordance with the instructions, may cause harmful interference to radio communications. However, there is no guarantee that interference will not occur in a particular installation. If this equipment does cause harmful interference to radio or television reception, which can be determined by turning the equipment off and on, the user is encouraged to try to correct the interference by one or more of the following measures:

- Reorient or relocate the receiving antenna.
- Increase the separation between the equipment and the receiver.
- Connect the equipment into an outlet on a circuit different from that to which the receiver is connected.
- Consult the dealer or an experienced radio/TV technician for help.

##### Part 15.21

Any changes or modifications to this equipment not expressly approved by STMicroelectronics may cause harmful interference and void the user's authority to operate this equipment.

### C.2 IC Compliance Statement

#### C.2.1 Compliance Statement

Industry Canada ICES-003 Compliance Label: *CAN ICES-3 (B)/NMB-3(B)*.

#### C.2.2 Déclaration de conformité

Étiquette de conformité à la NMB-003 d'Industrie Canada: *CAN ICES-3 (B)/NMB-3(B)*.

## Revision history

Table 11. Document revision history

Date	Revision	Changes
12-Jun-2015	1	Initial release.
02-Nov-2015	2	Updated cover page adding mbed-enabled logo. Added: - <a href="#">Section 1: Features</a> - <a href="#">Section 2: Demonstration software</a> - <a href="#">Section 3: Product marking</a> - <a href="#">Section 4: Ordering information</a> - <a href="#">Section 5: Technology partners</a> - <a href="#">Section Appendix C: Compliance Statements</a> Updated <a href="#">Section 8: Electrical schematics</a> figure 19 until the figure 31. Updated <a href="#">Section 6.2: Power supply</a> . Updated <a href="#">Section 6.1.1: Drivers</a> .
22-Mar-2016	3	Updated <a href="#">Section Appendix C: Compliance Statements</a> .



**IMPORTANT NOTICE – PLEASE READ CAREFULLY**

STMicroelectronics NV and its subsidiaries ("ST") reserve the right to make changes, corrections, enhancements, modifications, and improvements to ST products and/or to this document at any time without notice. Purchasers should obtain the latest relevant information on ST products before placing orders. ST products are sold pursuant to ST's terms and conditions of sale in place at the time of order acknowledgement.

Purchasers are solely responsible for the choice, selection, and use of ST products and ST assumes no liability for application assistance or the design of Purchasers' products.

No license, express or implied, to any intellectual property right is granted by ST herein.

Resale of ST products with provisions different from the information set forth herein shall void any warranty granted by ST for such product.

ST and the ST logo are trademarks of ST. All other product or service names are the property of their respective owners.

Information in this document supersedes and replaces information previously supplied in any prior versions of this document.

© 2016 STMicroelectronics – All rights reserved