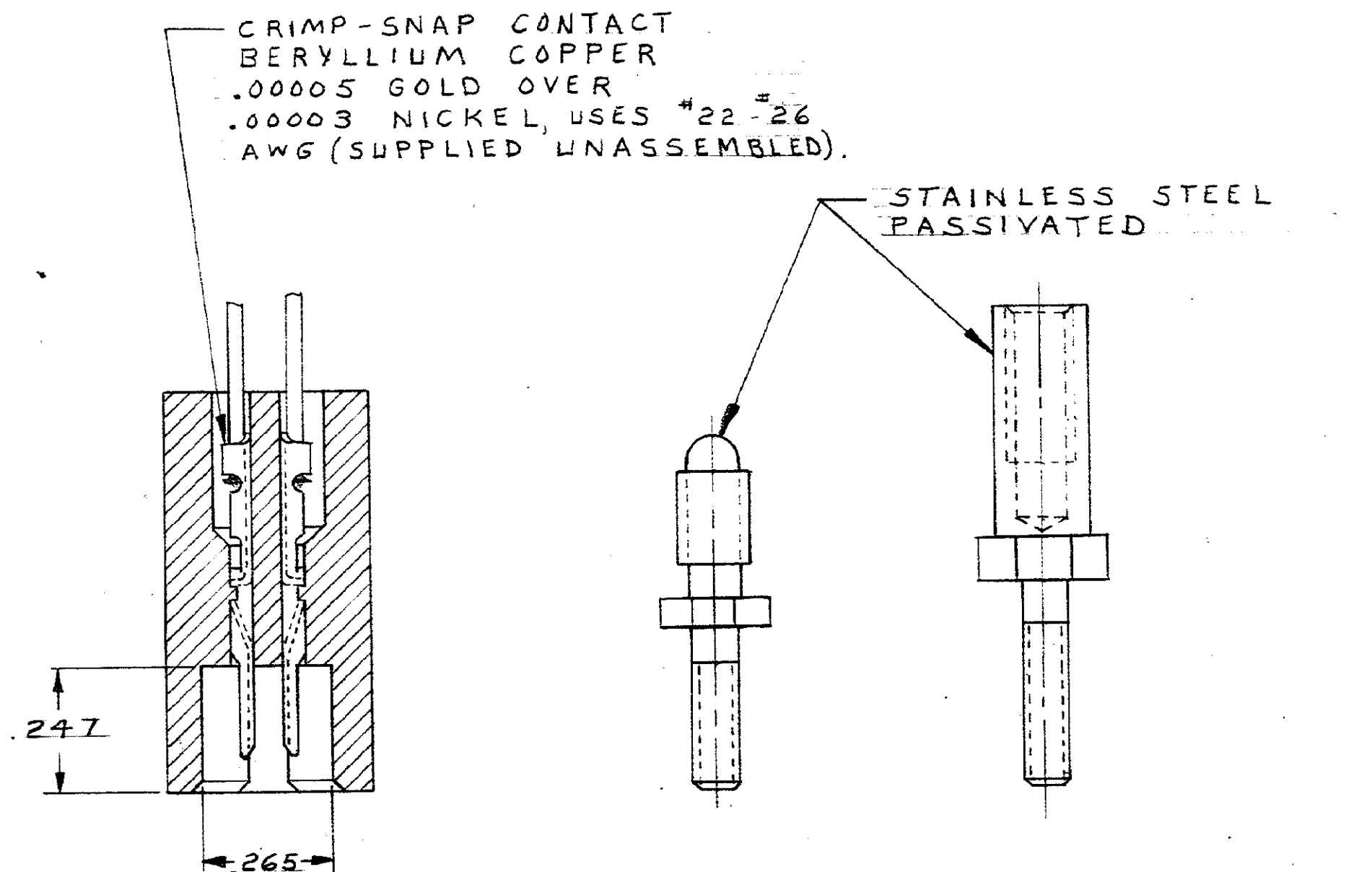
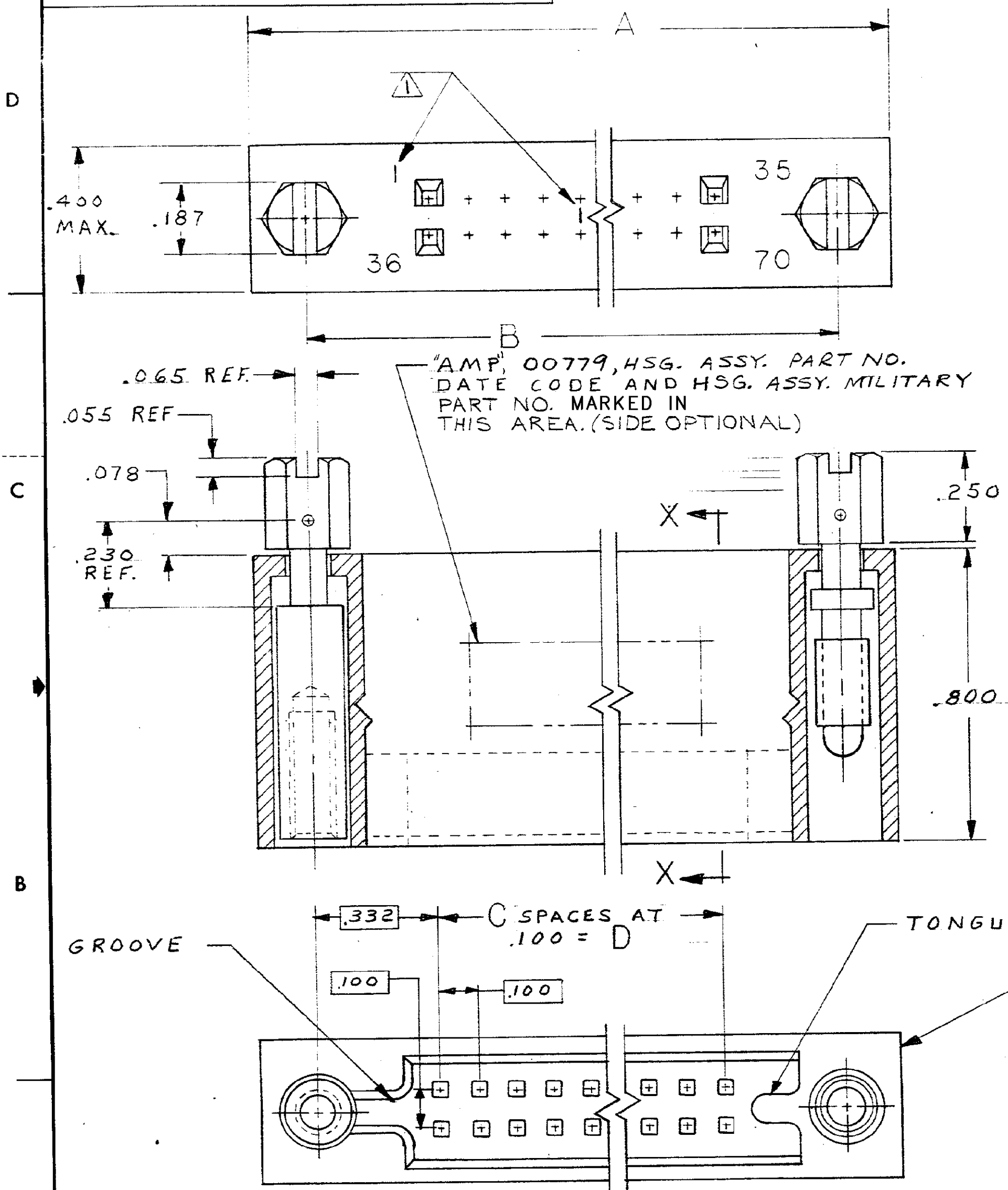


DRAWING MADE IN THIRD ANGLE PROJECTION

© COPYRIGHT 1976 BY AMP INCORPORATED, HARRISBURG, PA.
 ALL INTERNATIONAL RIGHTS RESERVED. AMP INCORPORATED PRODUCTS
 COVERED BY U. S. AND FOREIGN PATENTS AND/OR PATENTS PENDING.

LOC		DIST		REVISIONS			
P	F	ZONE	LTR	DESCRIPTION	DATE	APPROVED	
	F			ECO-08-020831	PY 10-08	BW	

3 2 1



CRIMP-SNAP CONTACT
 BERYLLIUM COPPER
 .00005 GOLD OVER
 .00003 NICKEL, USES #22-26
 AWG (SUPPLIED UNASSEMBLED).

STAINLESS STEEL
 PASSIVATED

MALE FIXED
 JACKSCREW
 531141-3
 (M 55302/113-14)

FEMALE FIXED
 JACKSCREW
 531141-4
 (M 55302/113-13)

HOUSING MATL.:
 GLASS FILLED POLYESTER
 COLOR: BLUE

1. NUMBERS, SEE TABLE, AND LINES INDICATING EVERY FIVE CAVITIES MARKED IN AREA SHOWN
2. MEETS PERFORMANCE REQUIREMENTS OF MIL-C-55302.
3. MATES WITH EXTERNAL KEY TYPE RECEPTACLE ASSY. 1000 SERIES, WHICH USES THE FIXED JACKSCREWS AND NUTS FOR FASTENING.
4. EACH KIT CONTAINS:
 - A. 1 HOUSING ASSY. WITH TURNABLE JACKSCREWS (SEE CHART).
 - B. 2 FIXED JACKSCREWS (MALE AND/OR FEMALE) TO MATE WITH TURNABLE JACKSCREWS.
 - C. CONTACTS IN LOOSE PIECE FORM. (QTY. IS NUMBER OF POS. +5 EXTRA.)
 - D. 2 # 2-56 STAINLESS NUTS (NOT SHOWN) FOR FIXED JACKSCREWS.

UNLESS OTHERWISE SPECIFIED DIMENSIONS ARE IN INCHES. TOLERANCES ON: DECIMALS ±.010 ANGLES ±.010		CONTRACT NO. DR <i>M. Smith</i> 5-5-78 CHK <i>R. D. Sullivan</i> 5-10-78		PART NO.	
MATERIAL SEE CALLOUT		APPD <i>R. D. Sullivan</i> 5-11-78 APPD <i>R. Showman</i> 5-26-78		NAME CRIMP-SNAP BOX CONTACT, PIN HEADER KIT.	
FINISH SEE CALLOUT		DSGN APPD		SIZE CODE IDENT NO DRAWING NO C 00779 530755	
		OTHER APPD		REV F	
		SCALE		SHEET 1 OF 2	

CUSTOMER DRAWING

MADE IN THIRD ANGLE PROJECTION

COPYRIGHT 1976 BY AMP INCORPORATED, HARRISBURG, PA.
ALL INTERNATIONAL RIGHTS RESERVED. AMP INCORPORATED PRODUCTS
COVERED BY U. S. AND FOREIGN PATENTS AND/OR PATENTS PENDING.

REVISIONS						
P	F	ZONE	LTR	DESCRIPTION	DATE	APPROVED
				SEE SHEET 1		

M55302/113-75	M	M										3-530755-6
↑	-74	F	M	1	50	4.900	49	5.565	5.855	100		3- -5
	-73	M	F	51	100							3- -4
	-72	F	F									3- -3
	-67	M	M									3- -2
	-66	F	M	1	45	4.400	44	5.065	5.355	90		3- -1
	-65	M	F	46	90							3- -0
	-64	F	F									2- -9
	-59	M	M									2- -8
	-58	F	M	1	40							2- -7
	-57	M	F	41	80	3.900	39	4.565	4.855	80		2- -6
	-56	F	F									2- -5
	-51	M	M									2- -4
	-50	F	M	1	30							2- -3
	-49	M	F	31	60	2.900	29	3.565	3.855	60		2- -2
	-48	F	F									2- -1
	-43	M	M									2- -0
	-42	F	M	1	25	2.400	24	3.065	3.355	50		1- -9
	-41	M	F	26	50							1- -8
	-40	F	F									1- -7
	-35	M	M									1- -6
	-34	F	M	1	20							1- -5
	-33	M	F	21	40	1.900	19	2.565	2.855	40		1- -4
	-32	F	F									1- -3
	-27	M	M									1- -2
	-26	F	M	1	15	1.400	14	2.065	2.355	30		1- -1
	-25	M	F	16	30							1- -0
	-24	F	F									-9
	-83	M	M									-8
	-82	F	M	1	55	5.400	54	6.065	6.355	110		-7
	-81	M	F	56	110							-6
	-80	F	F									-5
	-04	M	M									-4
	-03	F	M	1	35							-3
	-02	M	F	36	70	3.400	34	4.065	4.355	70		-2
		F	F									-1

M55302/113-01	TONGUE END GROOVE END	CAVITY IDENT.	"D"	"C"	"B"	"A"	POS.	PART NO
MILITARY PART NO.	TURNABLE JACKSCREW IN HOUSING ASSY.	CONTRACT NO						
	TOLERANCES ON: DECIMALS ANGLES	DR <i>M. Smith</i> 4-28-78	AMP INCORPORATED Harrisburg, Pa.					
	MATERIAL	CHK <i>R. DeWine</i> 5-10-78	NAME CRIMP-SNAP BOX CONTACT, PIN HEADER KIT.					
	FINISH	APPD <i>R. Spurnen</i> 5-26-78	SIZE	CODE IDENT NO	DRAWING NO	REV		
		DSGN APPD	C	00779	530755	F		
		OTHER APPD	SCALE			SHEET	2 OF 2	