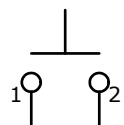


PANEL MOUNTING
MAX. PANEL THICKNESS 6.0mm



CIRCUIT: SPST

SWITCH FUNCTION	
POS. 1	POS. 2
OFF	(ON)
OPEN	1-2

(ON) = MOMENTARY

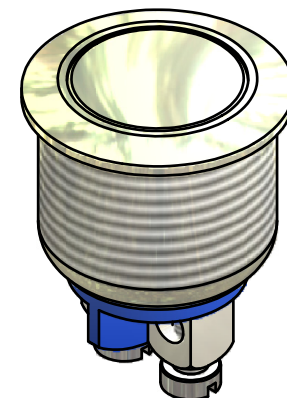
NOTE:

1. ALL DIMENSIONS IN MM [INCH]
2. GENERAL TOLERANCE: X.X=±0.4
X.XX=±0.25
3. TERMINAL NUMBERS FOR REF ONLY
4. CONTACT MATERIAL: SILVER
5. RATING: 2A 48VDC
- ▲6: TRAVEL: 1.5 ± 0.2mm
7. ELECTRIC LIFE: 200,000 MAKE-AND-BREAK CYCLES
8. INSULATION RESISTANCE: 1,000 MΩ MIN.
9. DIELECTRIC STRENGTH: 2,000 VAC MIN. FOR 1 MINUTE
10. CONTACT RESISTANCE: 50mΩ MAX. @ 1A 12VDC
11. OPERATING TEMP.: -20°C to 55°C
12. ▲DENOTES CRITICAL PARAMETER.
13. INGRESS PROTECTION: IP65
- ▲14. HARDWARE SUPPLIED: O-RING AND HEXNUT
15. 2002/95/EC (ROHS) COMPLIANT

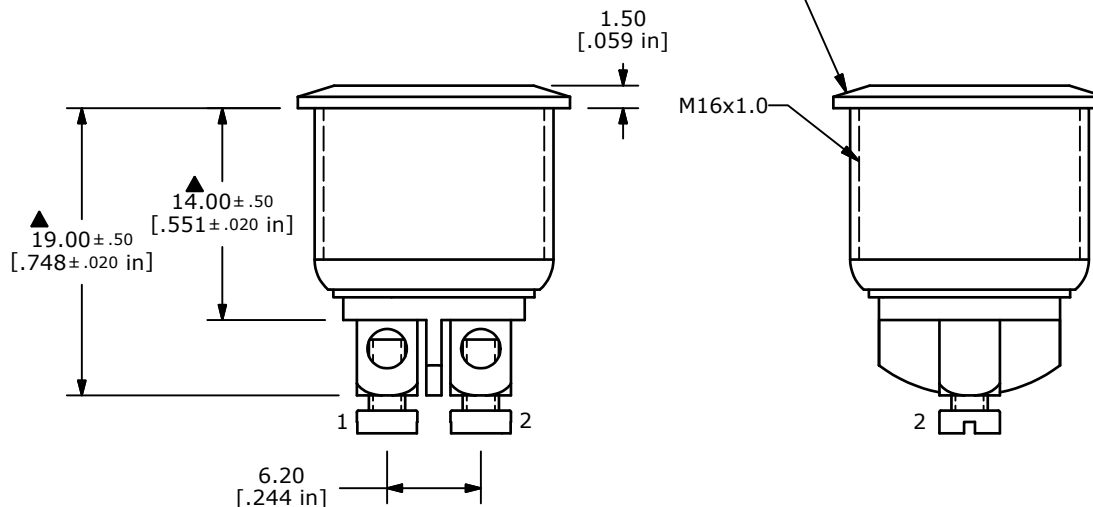
Ø18.00
[.709 in]

Ø12.00
[.472 in]

▲
FLAT ACTUATOR
NICKEL PLATED FINISH



▲
BODY FINISH
NICKEL PLATED



D	20392	UPDATE NOTES, ADD ROHS COMPLIANT	1/10/12	BGL
C	20364	REVISED AND REDRAWN	12/22/11	BGL
REV	PCR NO	DESCRIPTION	DATE	BY

TITLE PV2F640NN				
SCALE 2:1	DATE 12/22/2011	DR BGL	DWG 52-PV2F640NN	REV D

THE INFORMATION CONTAINED IN THIS DOCUMENT IS PROPRIETARY TO E-SWITCH AND IS NOT TO BE COPIED OR TRANSFERRED