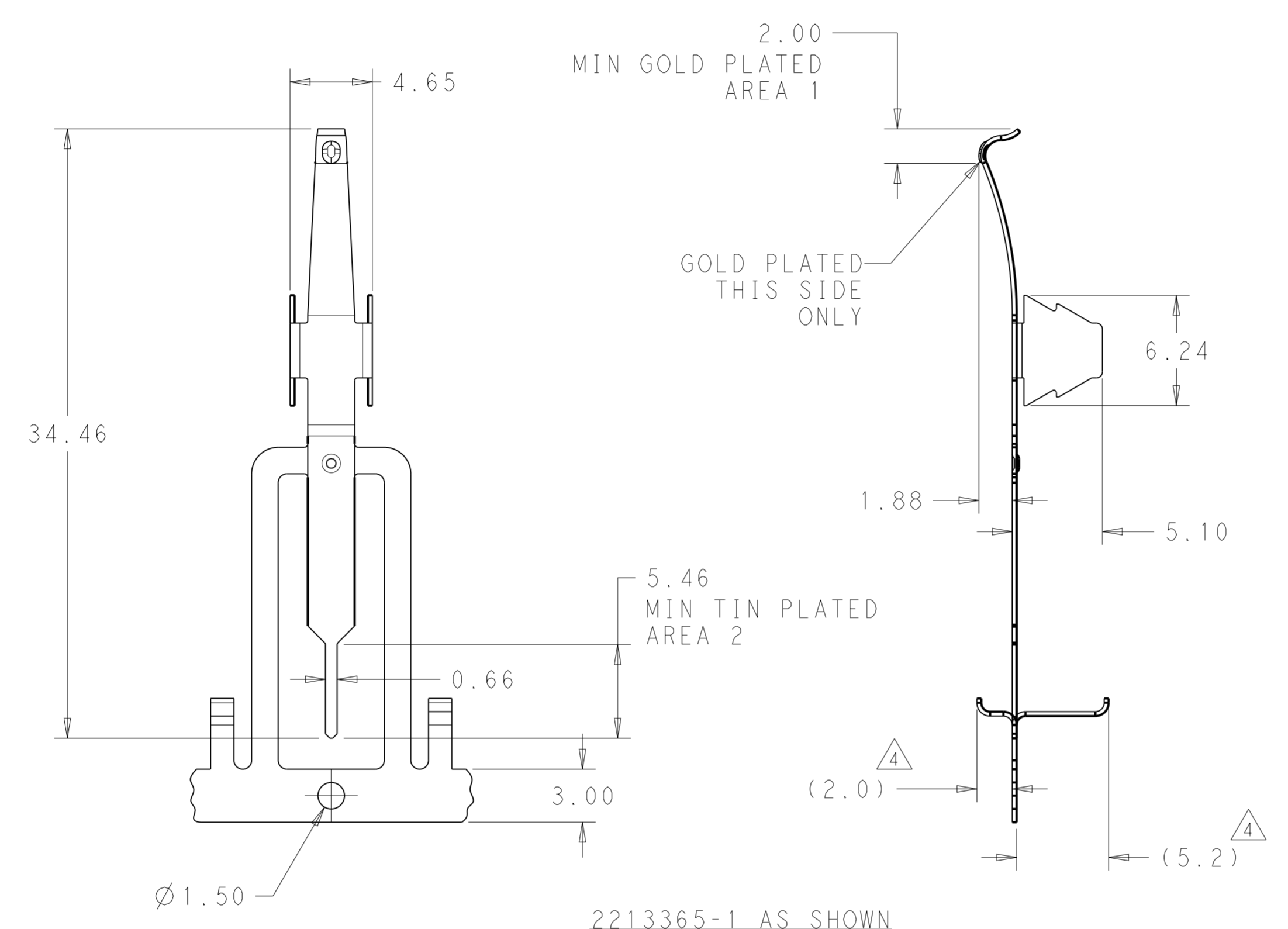


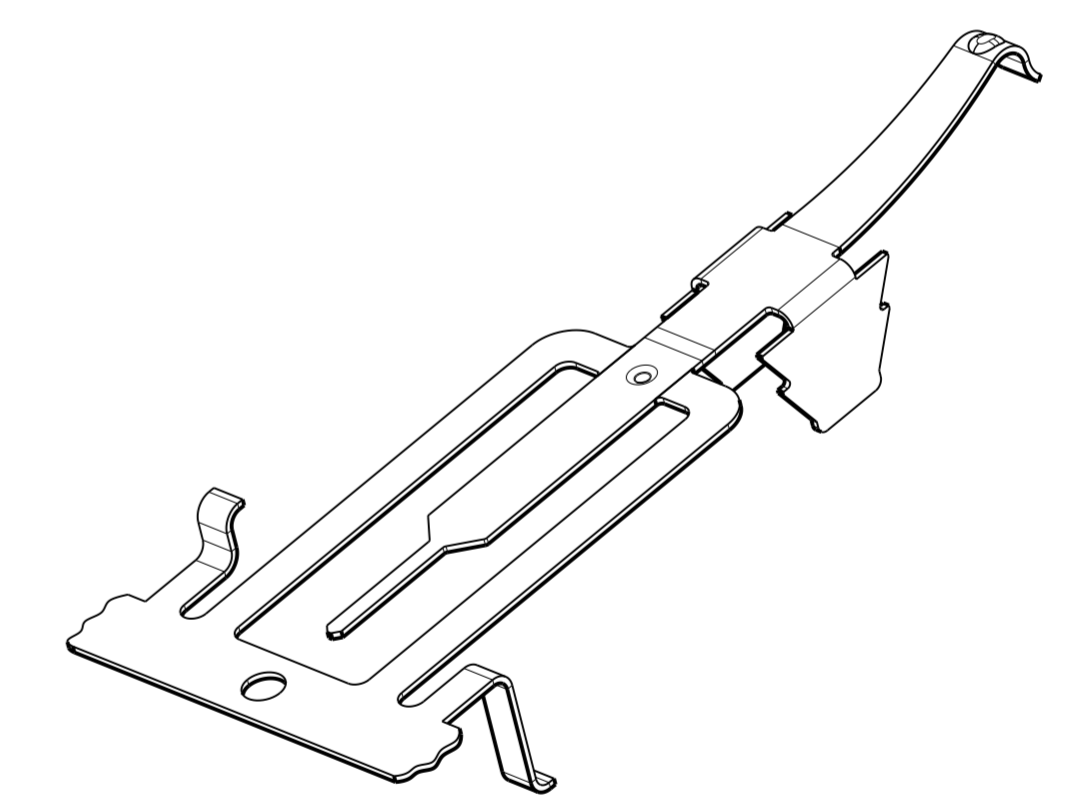
THIS DRAWING IS UNPUBLISHED. RELEASED FOR PUBLICATION 20
 © COPYRIGHT 20 BY - ALL RIGHTS RESERVED.

LOC		DIST		REVISIONS			
P	LTR	DESCRIPTION	DATE	DWN	APVD		
A		REVISED PER ECR-14-012230	12SEP2014	RS	DD		



NOTES:

- MATERIAL: COPPER ALLOY 0.254 THICK
 FINISH: NICKEL UNDERPLATE ENTIRE CONTACT 0.127 µm MIN THICK. GOLD PLATED IN AREA 1 ON ONE SIDE ONLY 0.76 µm MIN THICK. MATTE TIN PLATED IN AREA 2 3.0 µm MIN THICK
- FINAL FORMING AND LOOSE PIECE OPERATIONS AS SHOWN ON SHEET 2 MUST BE PERFORMED BY CUSTOMER.
- APPLICATION FEED IS 14.64.
- CARRIER STRIP STANDOFFS PROVIDE PRODUCT PROTECTION DURING SHIPPING.



SCALE 4:1

AS SHOWN - ON STRIP	2213365-1
DESCRIPTION	PART NO.

THIS DRAWING IS A CONTROLLED DOCUMENT.		DWN J. SHAFFER 26 JUN 2013	TE Connectivity	
DIMENSIONS: mm		CHK E. HOWARD 26 JUN 2013		
TOLERANCES UNLESS OTHERWISE SPECIFIED:		APVD E. HOWARD 26 JUN 2013	NAME DIMMABLE PHOTOCONTROL BRUSH CONTACT	
0 PLC ±		PRODUCT SPEC -	SIZE CAGE CODE DRAWING NO RESTRICTED TO	
1 PLC ±		APPLICATION SPEC -	A200779 C-2213365	
2 PLC ±0.13		WEIGHT -	SCALE 2:1 SHEET 1 OF 4 REV A	
3 PLC ±		Customer Drawing		
4 PLC ±				
ANGLES ±				
FINISH				

4

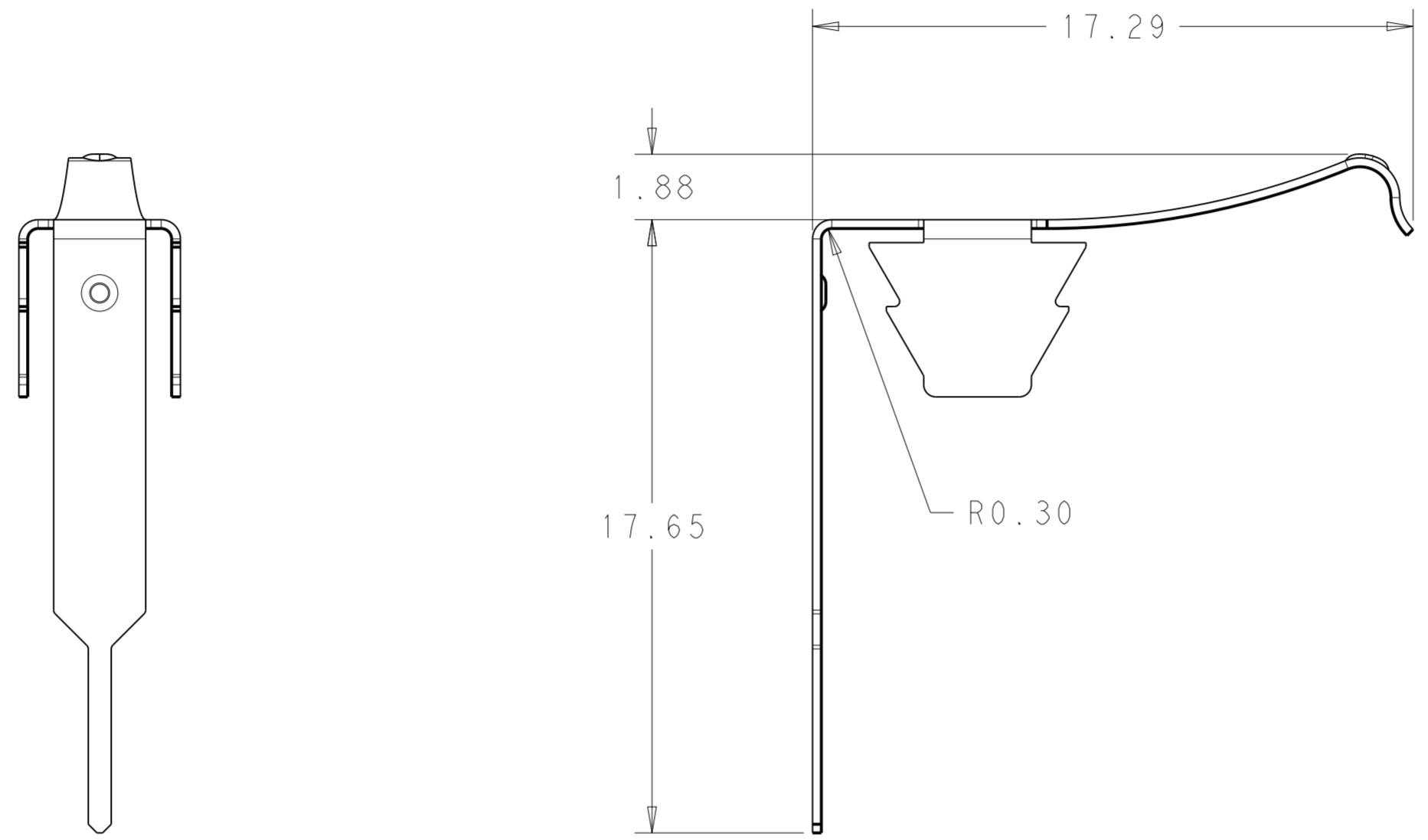
3

2


1

THIS DRAWING IS UNPUBLISHED. RELEASED FOR PUBLICATION 20
 © COPYRIGHT 20 BY - ALL RIGHTS RESERVED.

LOC		DIST		REVISIONS			
P	LTR	DESCRIPTION	DATE	DWN	APVD		
-	-	SEE SHEET 1	-	-	-		

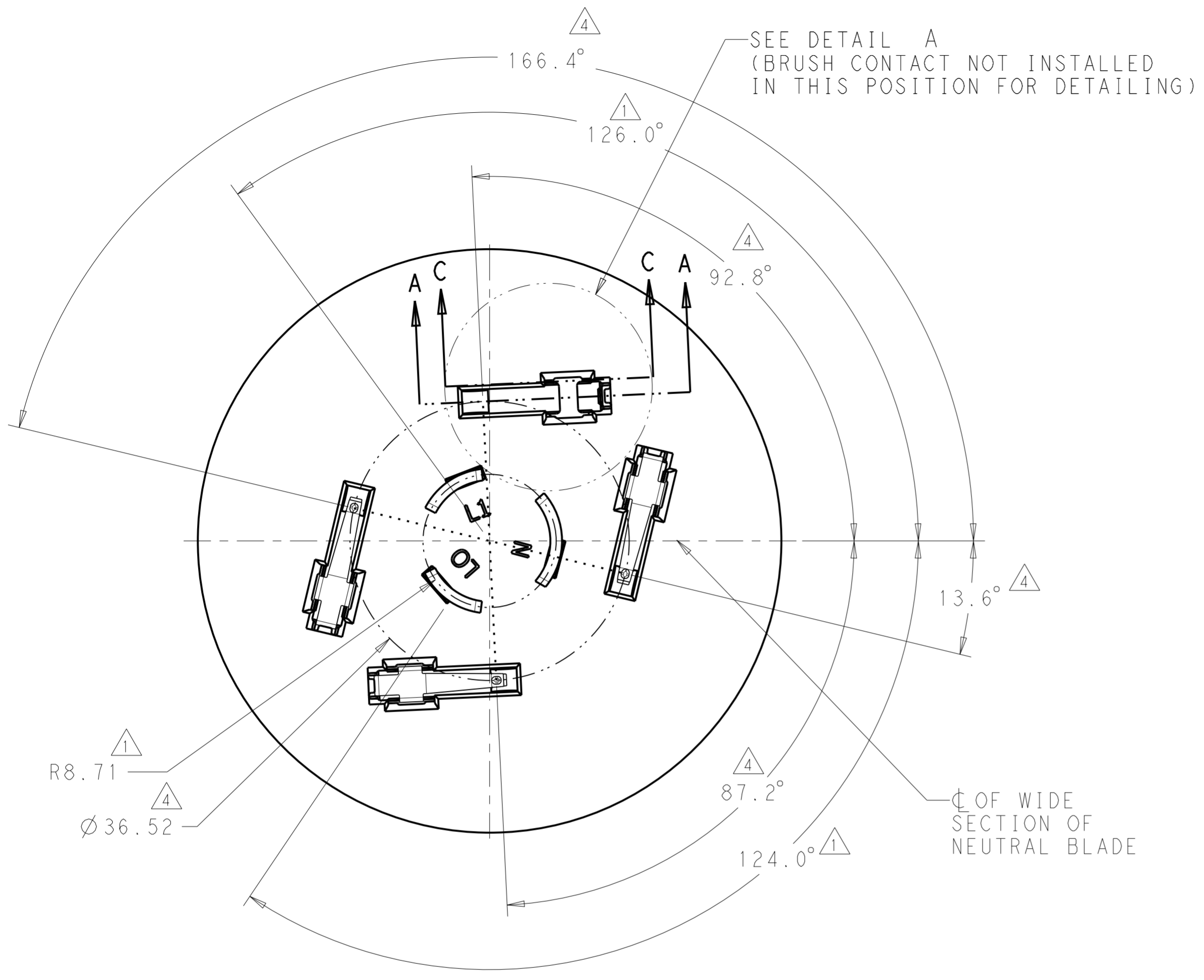


△
 RECOMMENDED FINAL FORMED
 LOOSE PIECE
 FINAL FORM AND LOOSE PIECE
 OPERATION MUST BE
 PERFORMED BY CUSTOMER

THIS DRAWING IS A CONTROLLED DOCUMENT.		DWN J. SHAFFER 26 JUN 2013	 TE Connectivity	
DIMENSIONS: mm		CHK E. HOWARD 26 JUN 2013		
TOLERANCES UNLESS OTHERWISE SPECIFIED:		APVD E. HOWARD 26 JUN 2013	NAME DIMMABLE PHOTOCONTROL BRUSH CONTACT	
0 PLC ± 1 PLC ± 2 PLC ±0.13 3 PLC ± 4 PLC ± ANGLES ± FINISH		PRODUCT SPEC -	SIZE A200779	DRAWING NO C-2213365
MATERIAL -		WEIGHT -	RESTRICTED TO -	SCALE 2:1 SHEET 2 OF 4 REV A
Customer Drawing				

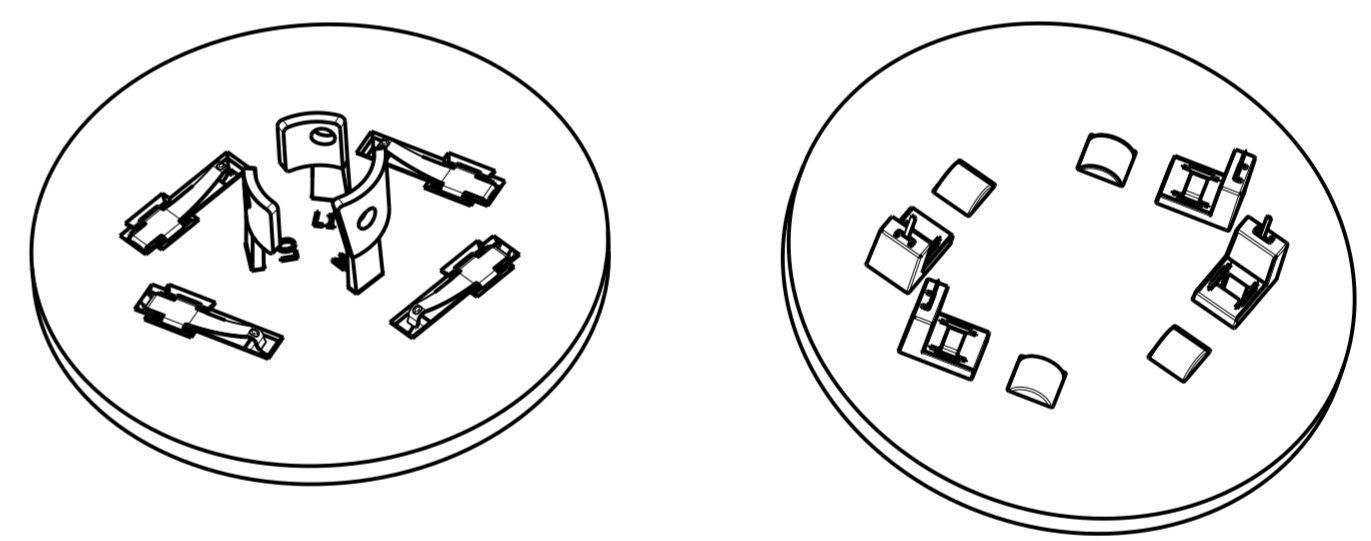
THIS DRAWING IS UNPUBLISHED. RELEASED FOR PUBLICATION 20
 © COPYRIGHT 20 BY - ALL RIGHTS RESERVED.

LOC		DIST		REVISIONS			
P	LTR	DESCRIPTION	DATE	DWN	APVD		
-	-	SEE SHEET 1	-	-	-		

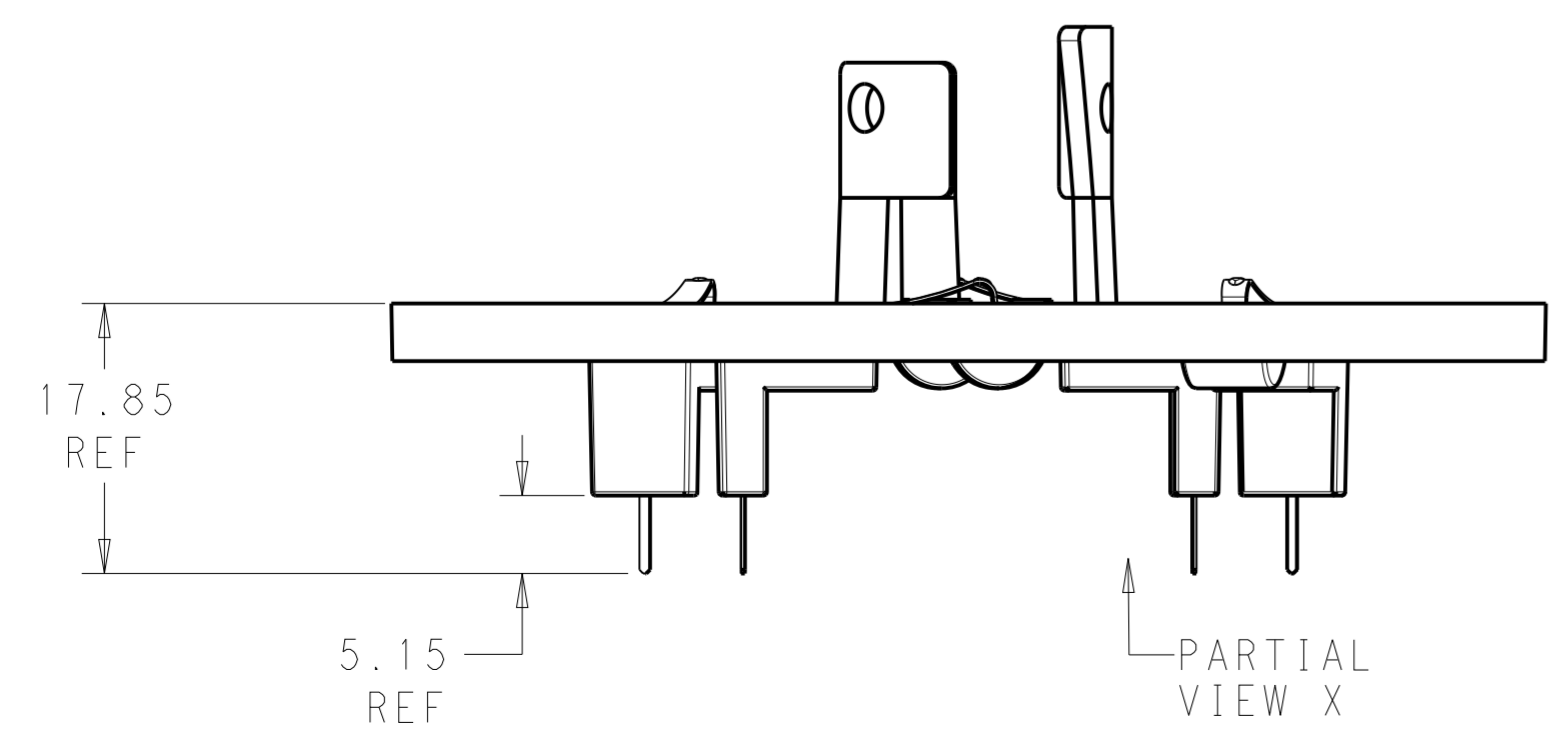


NOTES FOR BRUSH CONTACT POCKET DETAILS:

- 1. DIMENSIONS ARE PER ANSI C136.10
- 2. UNLESS OTHERWISE NOTED, ALL DIMENSIONS ARE ±0.127mm
- 3. UNLESS OTHERWISE NOTED, ALL ANGLES ARE ±0.5°
- 4. CIRCULAR AND ANGULAR POSITION FOR CONTACT POINT ON BRUSH CONTACT.
- 5. CUSTOMER MAY ROTATE BRUSH CONTACT POCKET PER THEIR PHOTOCELL DESIGN REQUIREMENTS, BUT BRUSH CONTACT POINT MUST BE POSITIONED AS SHOWN TO BE COMPATIBLE WITH ANSI C136.41-200X DIMMING RECEPTACLE.



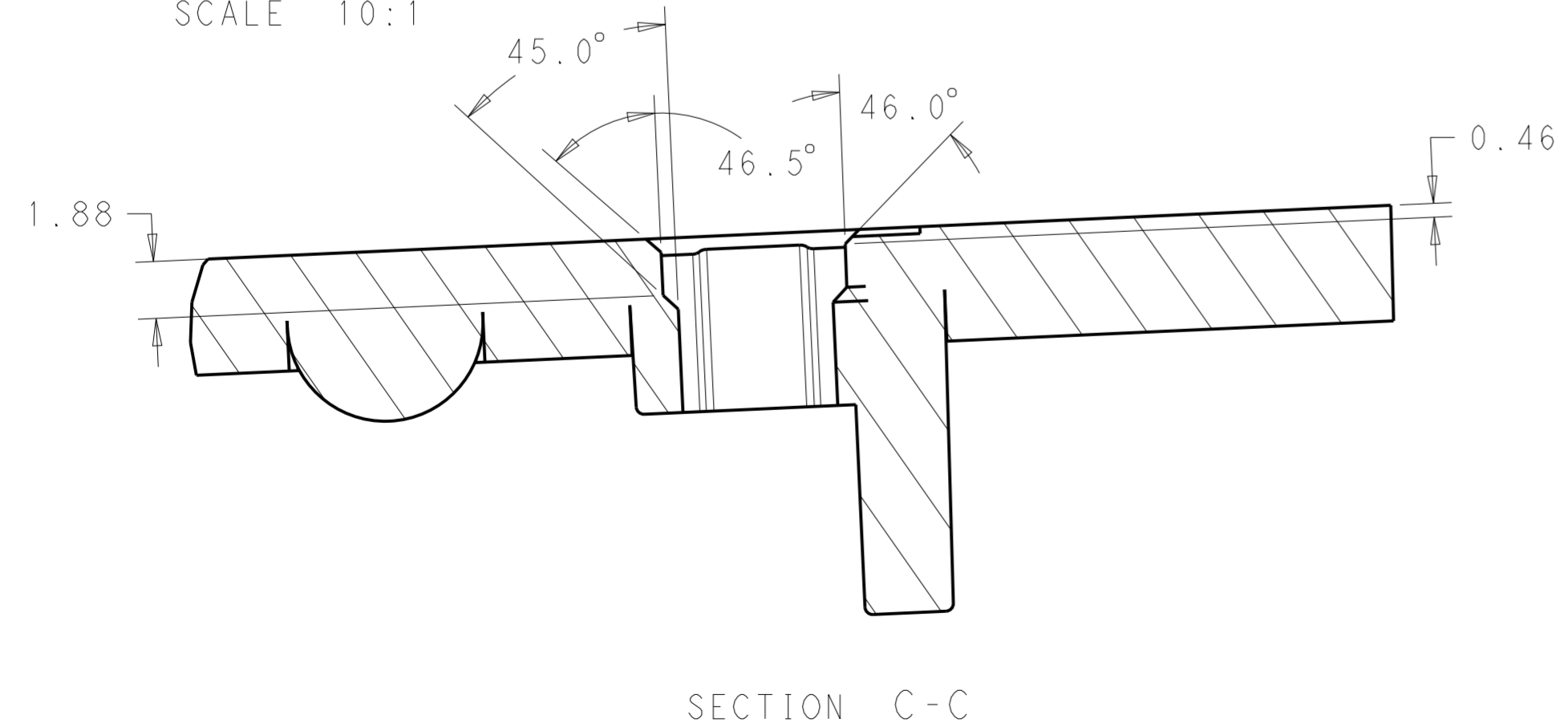
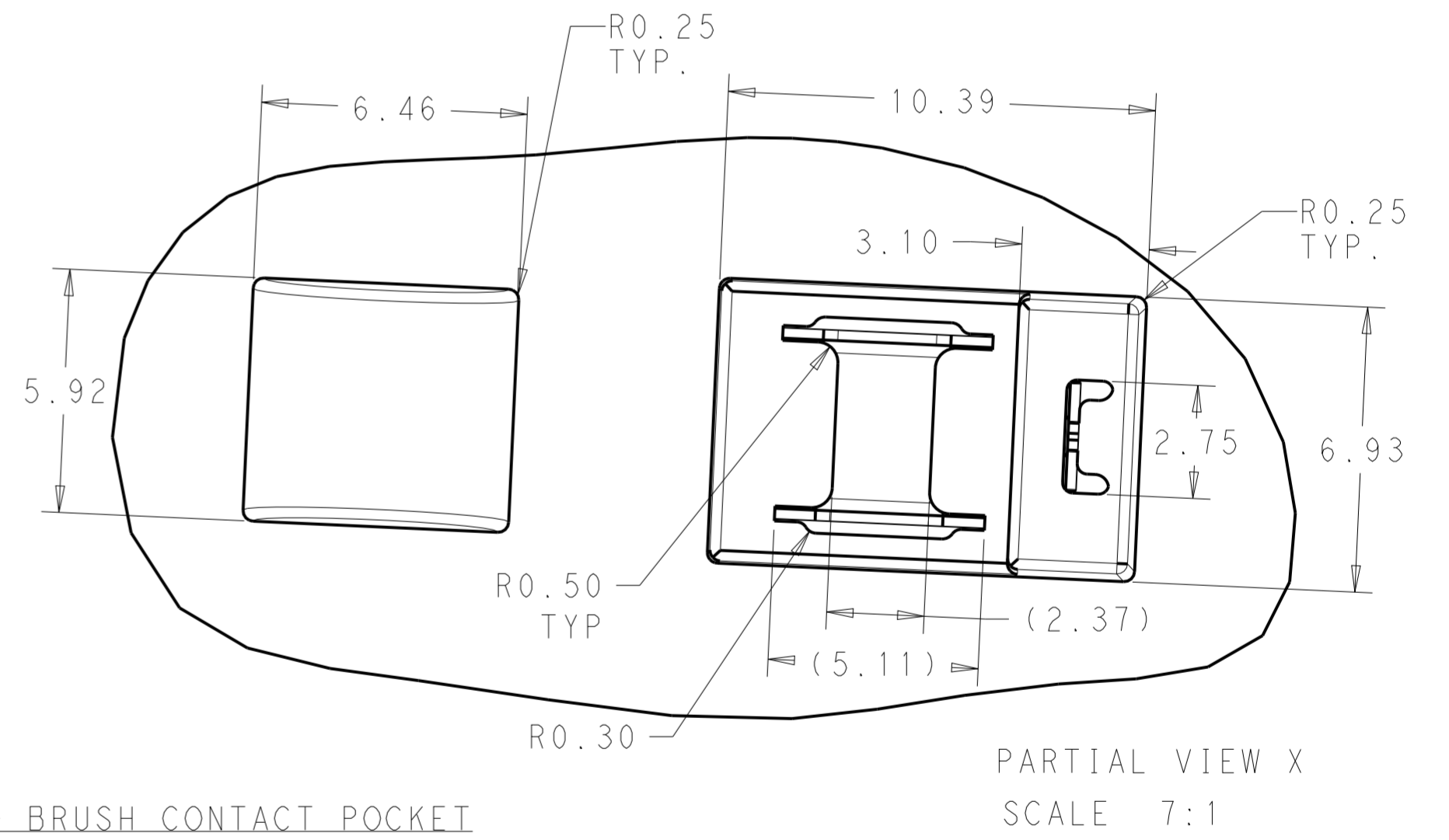
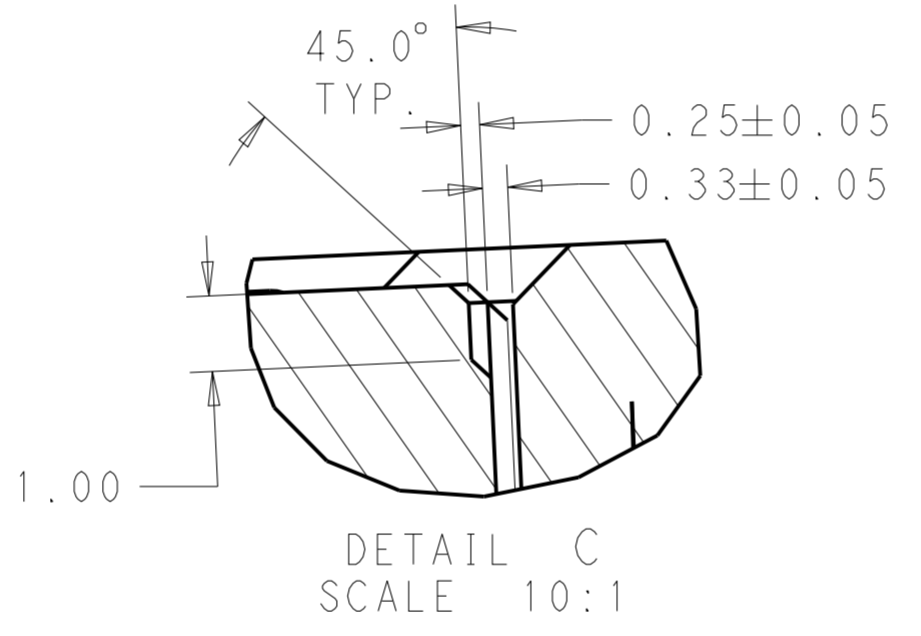
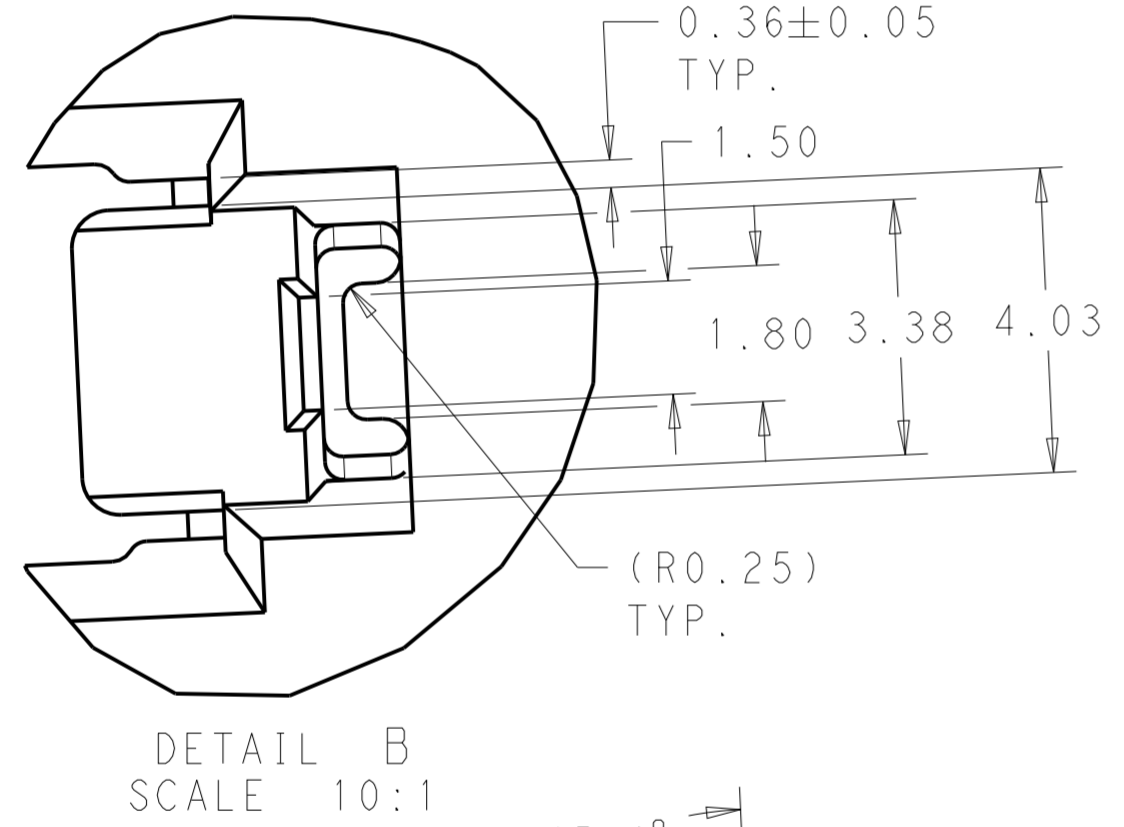
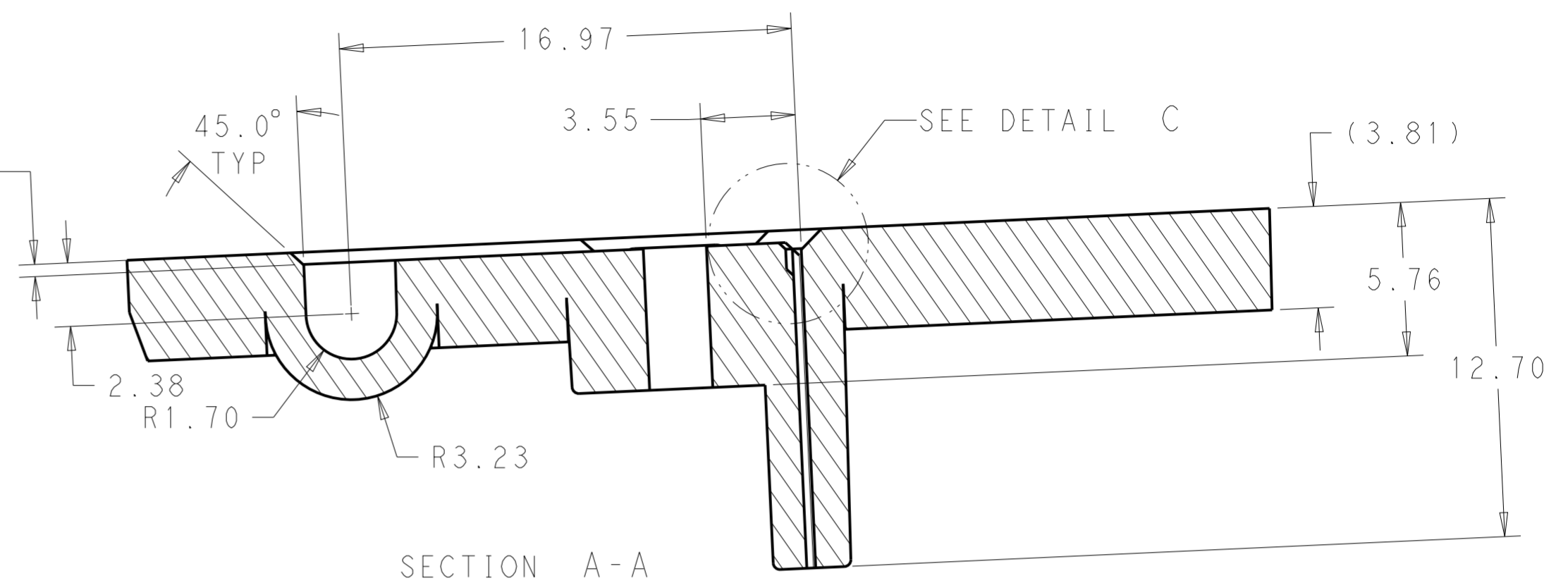
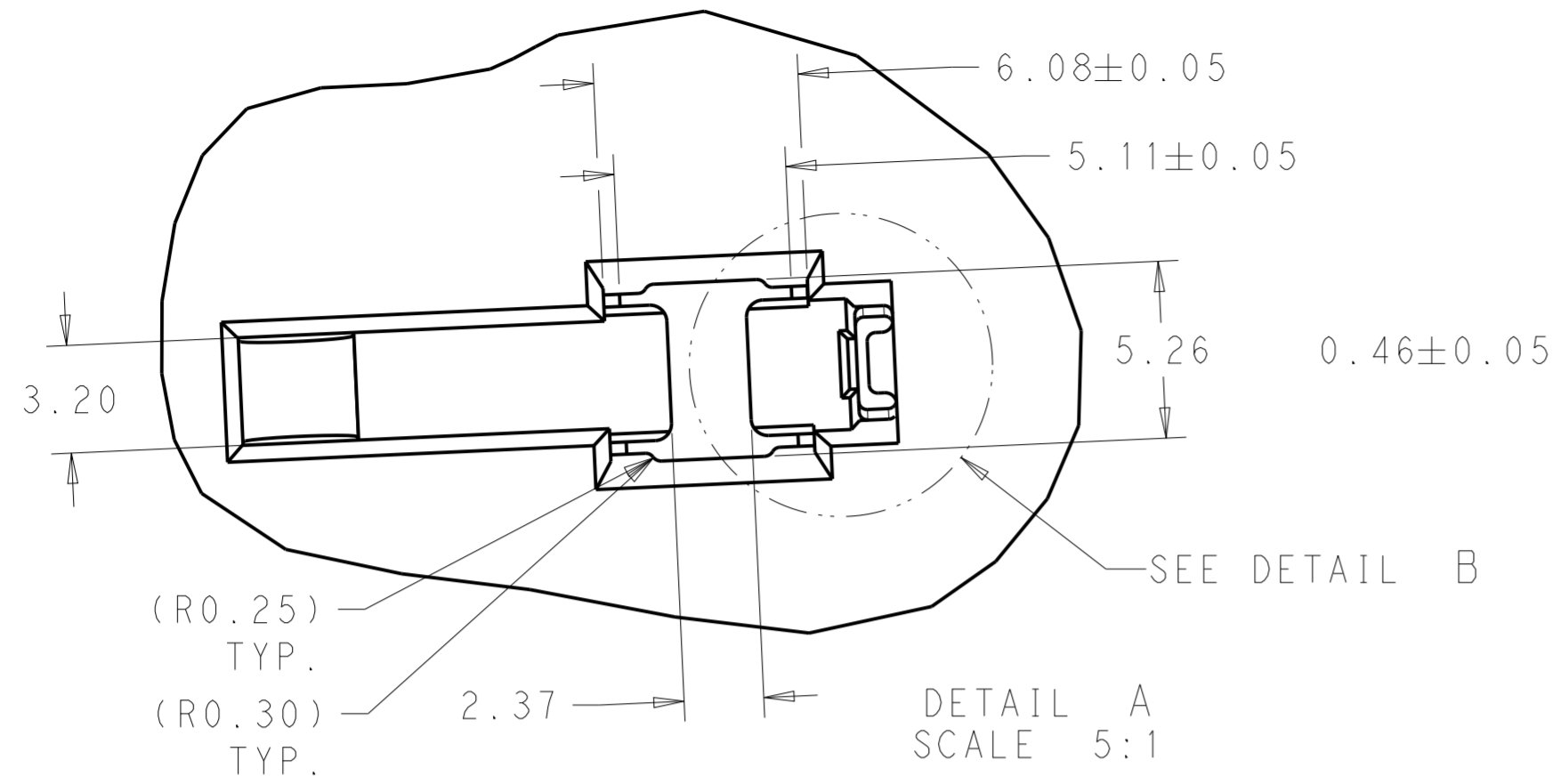
PHOTOCELL BRUSH CONTACT LOCATIONS AS SHOWN



THIS DRAWING IS A CONTROLLED DOCUMENT.		DWN J. SHAFFER 26 JUN 2013	TE Connectivity	
DIMENSIONS: mm		CHK E. HOWARD 26 JUN 2013		
TOLERANCES UNLESS OTHERWISE SPECIFIED:		APVD E. HOWARD 26 JUN 2013	NAME DIMMABLE PHOTOCONTROL BRUSH CONTACT	
0 PLC ±		PRODUCT SPEC	SIZE	
1 PLC ±		APPLICATION SPEC	CAGE CODE	
2 PLC ±0.13		WEIGHT	DRAWING NO	
3 PLC ±		Customer Drawing	A200779C-2213365	
4 PLC ±		SCALE 2:1	SHEET 3 OF 4	
ANGLES ±			REV A	
FINISH				

THIS DRAWING IS UNPUBLISHED. RELEASED FOR PUBLICATION 20
 © COPYRIGHT 20 BY - ALL RIGHTS RESERVED.

LOC		DIST		REVISIONS			
P	LTR	DESCRIPTION	DATE	DWN	APVD		
-	-	SEE SHEET 1	-	-	-		



SUGGESTED BRUSH CONTACT POCKET
 DETAIL AS SHOWN

THIS DRAWING IS A CONTROLLED DOCUMENT.		DWN J. SHAFFER 26 JUN 2013	TE Connectivity	
DIMENSIONS: mm		CHK E. HOWARD 26 JUN 2013		
TOLERANCES UNLESS OTHERWISE SPECIFIED:		APVD E. HOWARD 26 JUN 2013	PRODUCT SPEC -	SIZE A200779
0 PLC ± 1 PLC ± 2 PLC ±0.13 3 PLC ± 4 PLC ± ANGLES ± FINISH		APPLICATION SPEC -	DRAWING NO C-2213365	RESTRICTED TO -
MATERIAL -		WEIGHT -	SCALE 2:1	SHEET 4 OF 4
		Customer Drawing	REV A	