

STANDARD PROFILE SHELL

LOW PROFILE SHELL



REVISIONS			
REV	DESCRIPTION, ECN, EAR NO.	DATE	APP'D
A	PRODUCT DRAWING (EAR 14243)	NOV15/13	K.L.

ORDERING CODE: MUSBR-A311-XX

SERIES, RUGGED USB

USB SERIES 'A' RECEPTACLE, RIGHT ANGLE, ON PCB WITH MATCHING USB SERIES RECEPTACLE

SHELL & THREAD OPTION
 3 = STD. PROFILE, #4-40 UNC THREAD
 4 = LOW PROFILE, #4-40 UNC THREAD
 M = STD. PROFILE, M3 X 0.5 THREAD
 R = LOW PROFILE, M3 X 0.5 THREAD

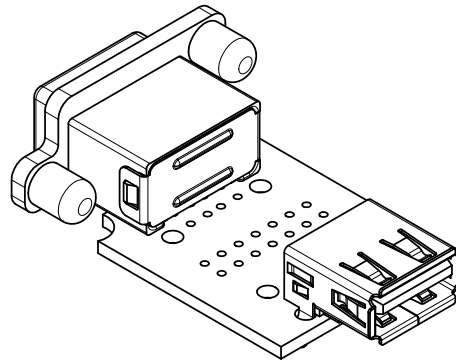
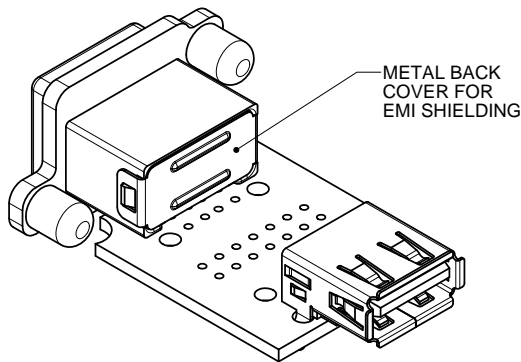
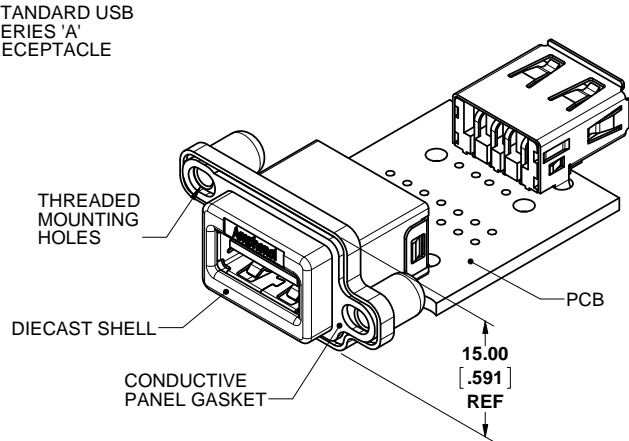
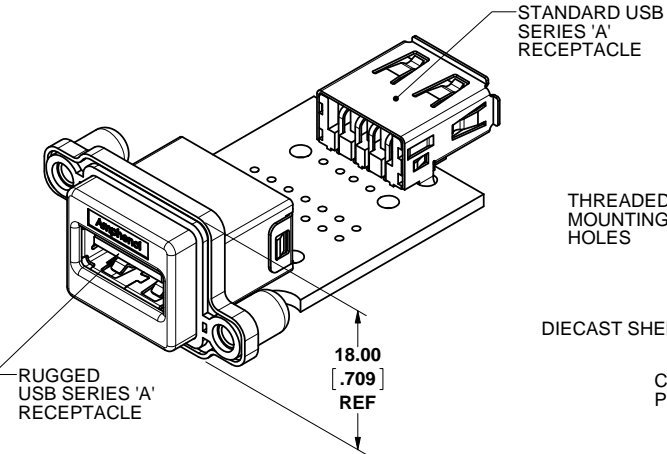
DUST COVER OPTION
 0 = NO DUST COVER SUPPLIED
 1 = WITH GREY DUST COVER SUPPLIED
 5 = WITH BLACK DUST COVER SUPPLIED

SPECIAL CONNECTORS

MANY UNIQUE FEATURES ARE READILY AVAILABLE TO SUIT CUSTOMER REQUIREMENTS. CONSULT WITH AMPHENOL CANADA FOR DETAILS.

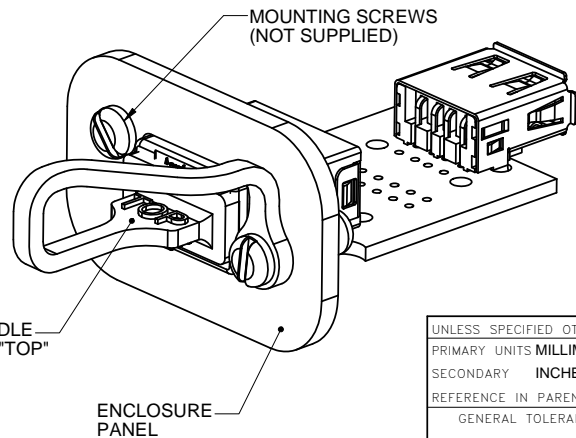
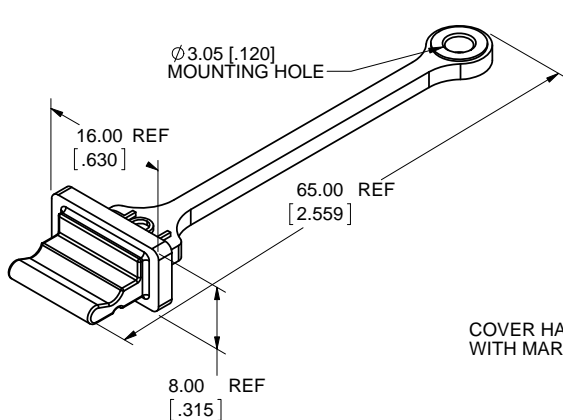
NOTES:

- MATERIAL:**
 - ALL MATERIALS ARE RoHS COMPLIANT PER EU DIRECTIVE 2011/65/EU AND AMENDMENTS
 - OUTER SHELL - DIECAST ZINC ALLOY, NICKEL PLATED
 - CONTACTS - PHOSPHOR BRONZE, PLATED WITH 0.76 µm (30 µ") GOLD OVER 1.27 µm (50 µ") NICKEL ON THE MATING AREA WITH MATTE TIN PLATING ON THE TAILS.
 - USB HOUSING - ENGINEERING THERMOPLASTIC, HIGH TEMPERATURE RESISTANT, FLAMMABILITY RATING UL94V-0, BLACK.
 - USB SHIELD & BACK COVER - STAINLESS STEEL, PASSIVATED
 - PANEL GASKET - CONDUCTIVE SILICONE RUBBER, BLACK
 - DUST COVER - SILICONE RUBBER WITH NICKEL PLATED BRASS BUSHING. SEE ORDERING CODE FOR DUST COVER OPTIONS.
 - PCB - FR-4 FIBERGLASS, LEAD FREE
 - STANDARD USB CONNECTOR - HOUSING & CONTACT MATERIALS SAME AS ABOVE. SHIELD - NICKEL PLATED STEEL.
- ENVIRONMENTAL PERFORMANCE PER IEC 60529 CODE IP67 FOR SEAL BETWEEN MATING AREA AND PCB SIDE OF CONNECTOR. GASKET PROVIDES SEAL TO INSIDE FACE OF ENCLOSURE PANEL. AVAILABLE DUST COVER PROVIDES ADDED PROTECTION.
- CURRENT RATING: 1.5 AMPERES
- CONTACT RESISTANCE: 30 MILLIOHMS MAXIMUM.
- OPERATING TEMPERATURE: -40°C TO +105°C.
- DUST COVERS MAY BE ORDERED SEPARATELY. SPECIFY
 - PART NUMBER MUSB-2A111-014BP FOR THE GREY COVER OR
 - PART NUMBER MUSB-2A111-024BP FOR THE BLACK COVER.



DUST COVER OPTION
SEE ORDERING CODE

DUST COVER APPLICATION VIEW



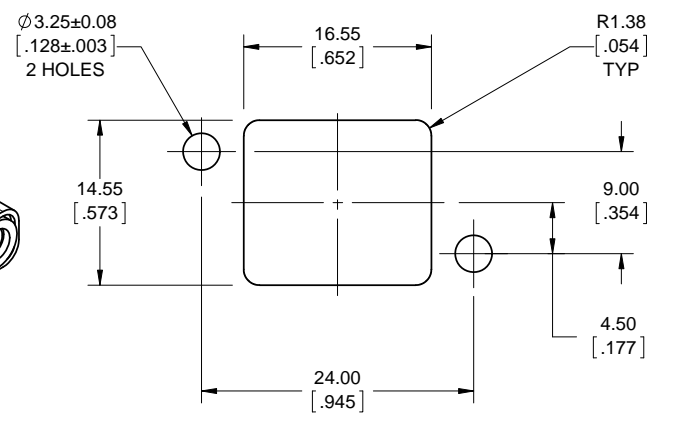
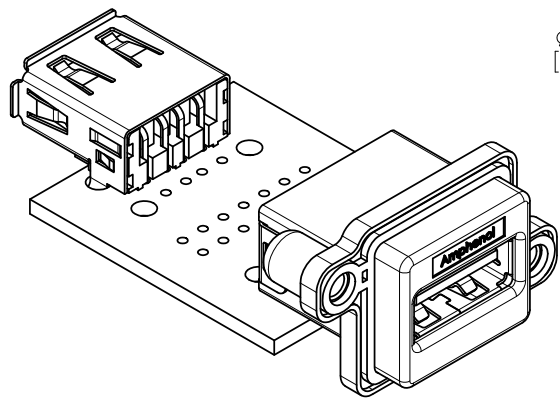
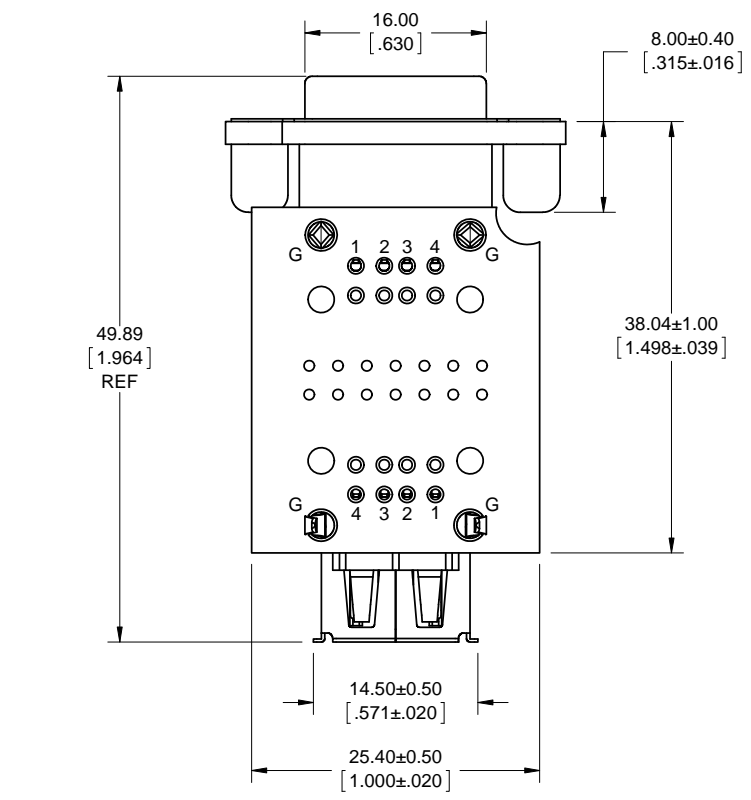
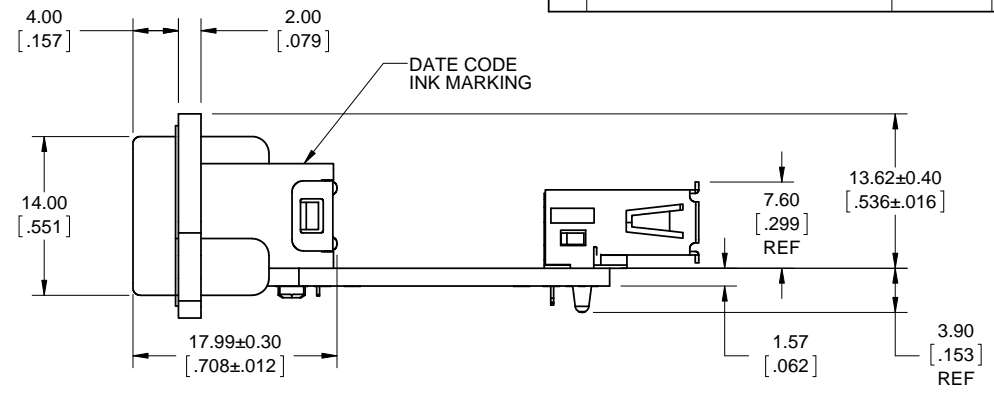
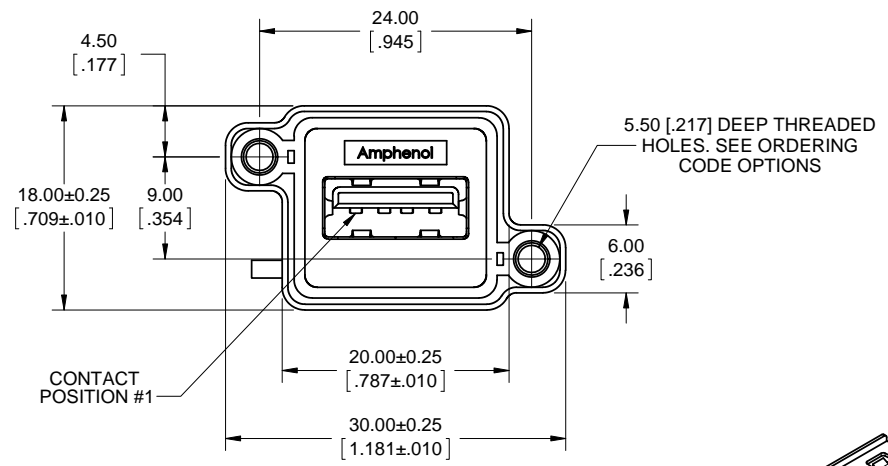
UNLESS SPECIFIED OTHERWISE	DRAWN	J.LU	NOV15/13
PRIMARY UNITS MILLIMETERS	CHECKED		
SECONDARY INCHES	M.E. APP'D		
REFERENCE IN PARENTHESES	Q.A. APP'D		
GENERAL TOLERANCES	DWG APPR.	K.LAMBIE	NOV15/13
1 DECIMAL PLACE	ENG. REL. NO.		
2 DECIMAL PLACES ±0.15	REF.	EAR 14243	
3 DECIMAL PLACES	THIRD ANGLE PROJECTION		
ANGULAR DEGREES	DO NOT SCALE DRAWING		

Amphenol Canada Corp.
www.amphenolcanada.com

MUSBR SERIES RUGGED USB CONNECTOR, SERIES 'A' RECEPTACLE, RIGHT ANGLE, ON PCB WITH USB CONNECTOR, THREAD, SHELL & DUST COVER OPTIONS, RoHS COMPLIANT

DWG. NO.	P-MUSBR-A311-XX	REV	A
CODE ID NO. 03554	DWG. SIZE: C	SCALE: 3:1	SHEET 1 OF 3

REVISIONS			
REV	DESCRIPTION, ECN, EAR NO.	DATE	APP'D
A	PRODUCT DRAWING (EAR 14243)	NOV15/13	K.L.



CONNECTION CHART

RUGGED USB CONNECTOR POSITION #	STANDARD USB CONNECTOR POSITION #
SHELL/GROUND	SHELL/GROUND
1	1
2	2
3	3
4	4

**RECOMMENDED PANEL CUTOUT
OUTSIDE VIEW OF PANEL**

STANDARD PROFILE SHELL SHOWN

**AMPHENOL CANADA PART NUMBERS: MUSBR-A311-3X
MUSBR-A311-MX**



UNLESS SPECIFIED OTHERWISE	DRAWN	JLU	NOV15/13
PRIMARY UNITS MILLIMETERS	CHECKED		
SECONDARY INCHES	M.E. APP'D		
REFERENCE IN PARENTHESES	Q.A. APP'D		
GENERAL TOLERANCES	DWG APPR.	K.LAMBIE	NOV15/13
1 DECIMAL PLACE	ENG. REL. NO.		
2 DECIMAL PLACES ±0.15	REF.	EAR 14243	
3 DECIMAL PLACES	THIRD ANGLE PROJECTION		
ANGULAR DEGREES	DO NOT SCALE DRAWING		

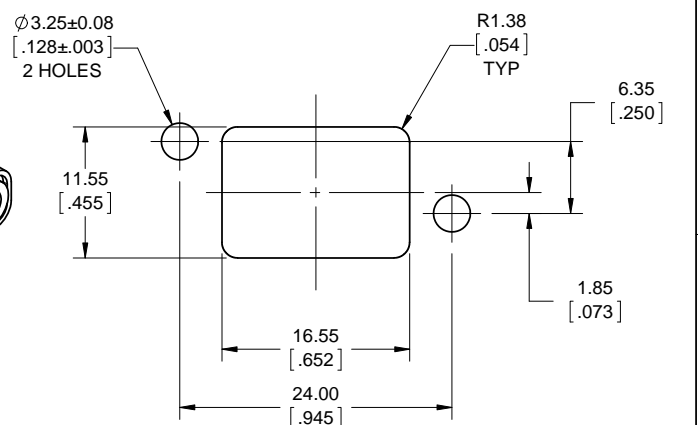
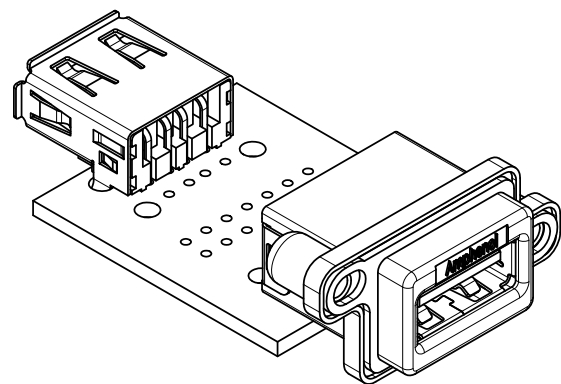
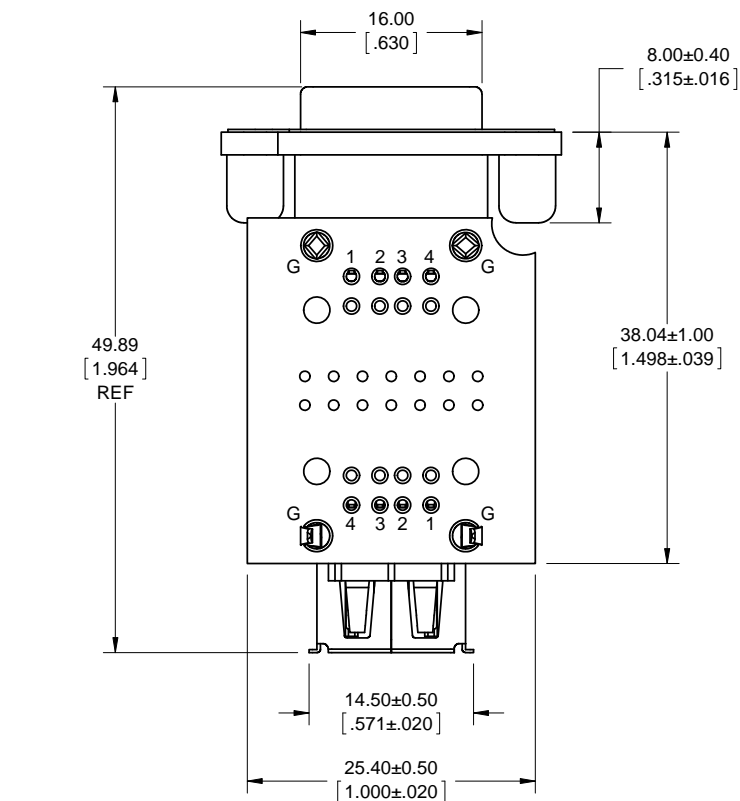
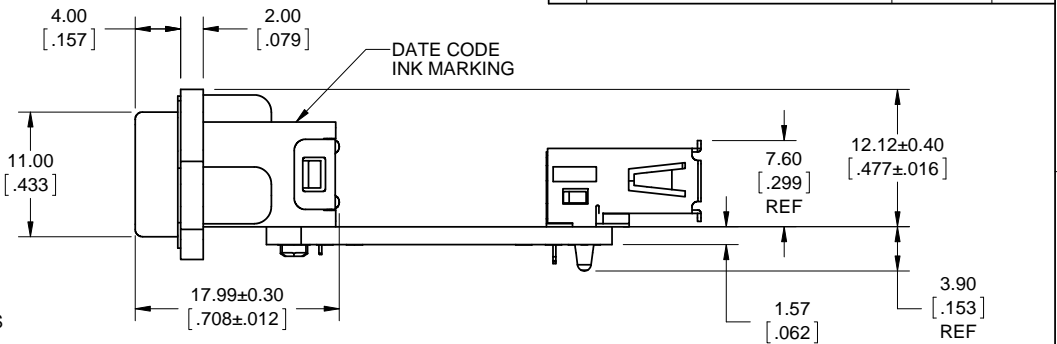
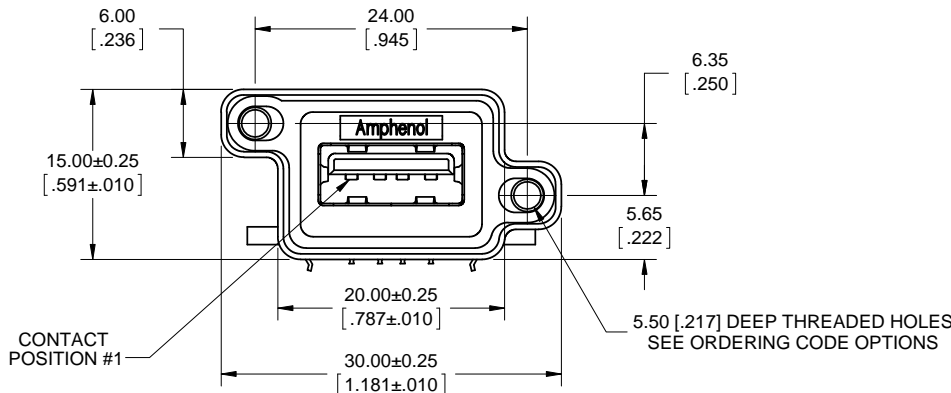
Amphenol Canada Corp.
www.amphenolcanada.com

MUSBR SERIES RUGGED USB CONNECTOR, SERIES 'A' RECEPTACLE, RIGHT ANGLE, ON PCB WITH USB CONNECTOR, THREAD, SHELL & DUST COVER OPTIONS, RoHS COMPLIANT

DWG. NO. **P-MUSBR-A311-XX** REV **A**

CODE ID NO. 03554 DWG SIZE: C SCALE: 3:1 SHEET 2 OF 3

REVISIONS			
REV	DESCRIPTION, ECN, EAR NO.	DATE	APP'D
A	PRODUCT DRAWING (EAR 14243)	NOV15/13	K.L.



CONNECTION CHART

RUGGED USB CONNECTOR POSITION #	STANDARD USB CONNECTOR POSITION #
SHELL/GROUND	SHELL/GROUND
1	1
2	2
3	3
4	4

**RECOMMENDED PANEL CUTOUT
OUTSIDE VIEW OF PANEL**

LOW PROFILE SHELL SHOWN

**AMPHENOL CANADA PART NUMBERS: MUSBR-A311-4X
MUSBR-A311-RX**



UNLESS SPECIFIED OTHERWISE	DRAWN	JLU	NOV15/13
PRIMARY UNITS MILLIMETERS	CHECKED		
SECONDARY INCHES	M.E. APP'D		
REFERENCE IN PARENTHESES	Q.A. APP'D		
GENERAL TOLERANCES	DWG APPR.	K.LAMBIE	NOV15/13
1 DECIMAL PLACE	ENG. REL. NO.		
2 DECIMAL PLACES ±0.15	REF.	EAR 14243	
3 DECIMAL PLACES	THIRD ANGLE PROJECTION		
ANGULAR DEGREES	DO NOT SCALE DRAWING		

Amphenol Canada Corp.
www.amphenolcanada.com

MUSBR SERIES RUGGED USB CONNECTOR, SERIES 'A' RECEPTACLE, RIGHT ANGLE, ON PCB WITH USB CONNECTOR, THREAD, SHELL & DUST COVER OPTIONS, RoHS COMPLIANT

DWG. NO. **P-MUSBR-A311-XX** REV **A**

CODE ID NO. 03554 DWG SIZE: C SCALE: 3:1 SHEET 3 OF 3