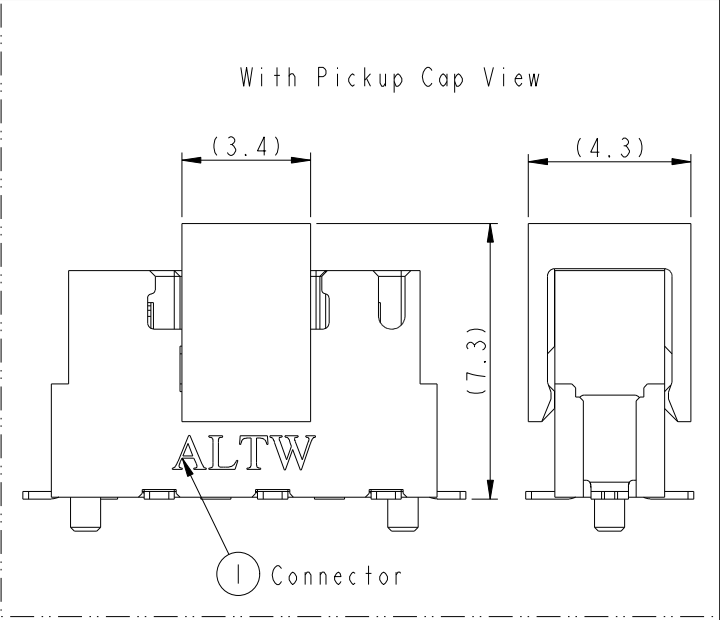
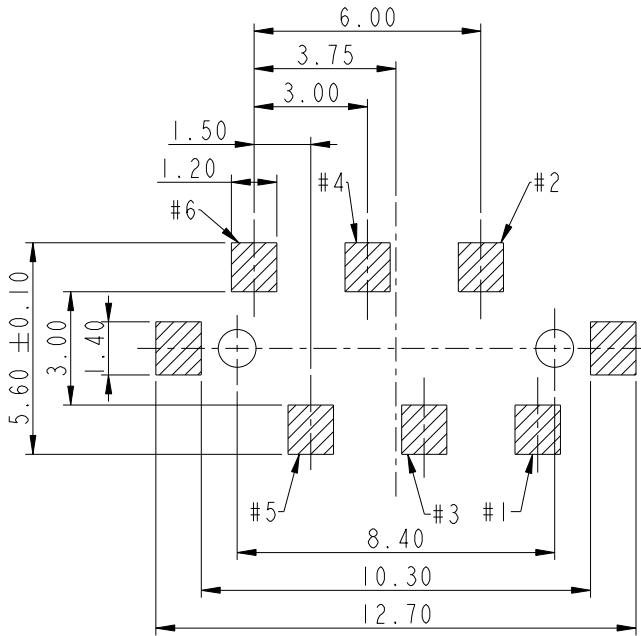
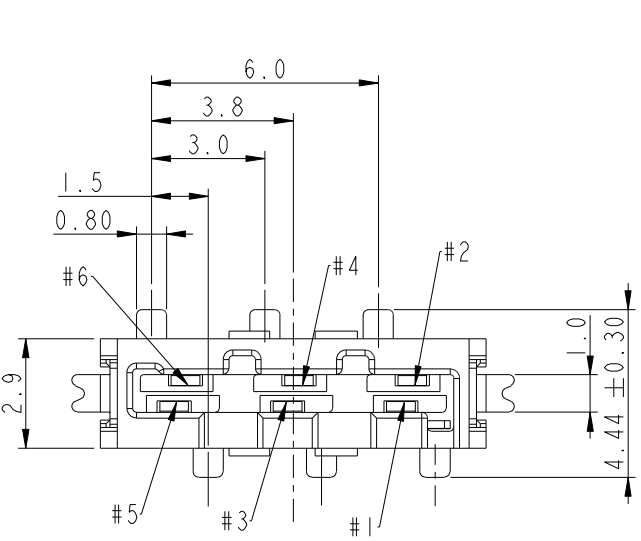
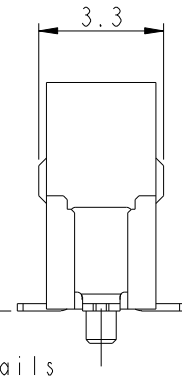
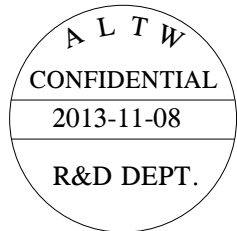
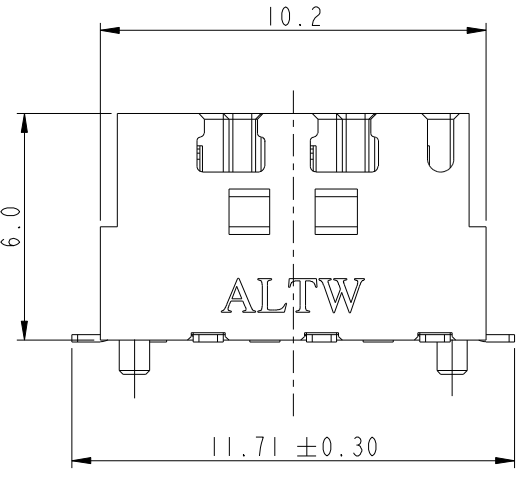


REV.	ECN NO.	DATE	SIGN	DESCRIPTION
A	Initial Release	2013-11-08	Fisher	Initial Release



RECOMMENDED P.C.B. LAYOUT  
GENERAL TOLERANCE IS ±0.05



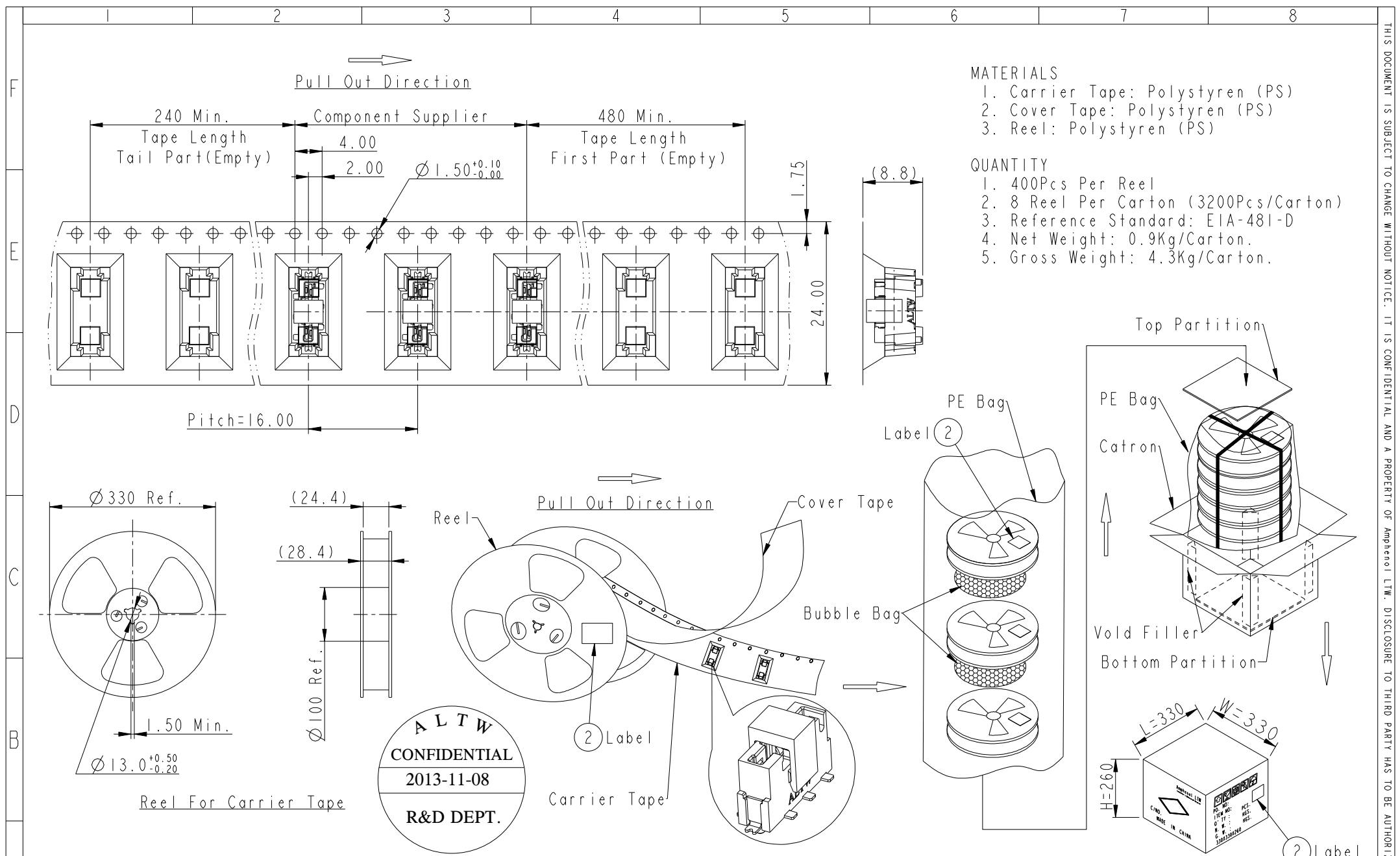
- Notes:
- \* (M) Important Dimension To Check.
  - \* Housing: High temperature thermoplastic. UL94V-0, color is Natural white.
  - \* Pickup Cap: High temperature thermoplastic. UL94V-0, color is Black.
  - \* Terminal: Copper Alloy, Gold Plated on contact area, Tin plated on solder tails.
  - \* Solder Peg: Copper Alloy, Tin plated over Nickel.

UNIT: mm		TITLE	SSL-1.1 DC 6P JACK CONN, WITH POST,S/T,SMT TYPE		ITEM NO	SSL11-J6A00-000001	DRAWN BY	Fisher_Wang	DATE	2013-11-08
		TOLERANCE	SCALE	SIZE	SHEET	DWG NO	SSL11-J6A00-000001	CHECKED BY	Ivan_Lin	DATE
.X ±0.25	5:1	A4	1	OF	CUSTOMER	ALTW	APPROVED BY	Kevin_Hu	DATE	2013-11-08
.XX ±0.1	REV.	A	WC-REV.	A.1						
.XXX ±0.05			☉: Inspection item							
ANGLES ±1°										

**Amphenol LTW**  
安費諾亮泰企業股份有限公司

THIS DOCUMENT IS SUBJECT TO CHANGE WITHOUT NOTICE. IT IS CONFIDENTIAL AND A PROPERTY OF Amphenol LTW. DISCLOSURE TO THIRD PARTY HAS TO BE AUTHORIZED BY Amphenol LTW.

THIS DOCUMENT IS SUBJECT TO CHANGE WITHOUT NOTICE. IT IS CONFIDENTIAL AND A PROPERTY OF Amphenol LTW. DISCLOSURE TO THIRD PARTY HAS TO BE AUTHORIZED BY Amphenol LTW.



- MATERIALS**
1. Carrier Tape: Polystyren (PS)
  2. Cover Tape: Polystyren (PS)
  3. Reel: Polystyren (PS)

- QUANTITY**
1. 400Pcs Per Reel
  2. 8 Reel Per Carton (3200Pcs/Carton)
  3. Reference Standard: EIA-481-D
  4. Net Weight: 0.9Kg/Carton.
  5. Gross Weight: 4.3Kg/Carton.

**ALTW**  
 CONFIDENTIAL  
 2013-11-08  
 R&D DEPT.

UNIT: mm TOLERANCE .X ±0.25 .XX ±0.1 .XXX ±0.05 ANGLES ±1°			TITLE <b>SSL11-1.1 DC 6P JACK CONN, WITH POST,S/T,SMT TYPE</b>	<h1 style="margin: 0;">Amphenol LTW</h1> <h2 style="margin: 0;">安費諾亮泰企業股份有限公司</h2>	ITEM NO SSL11-J6A00-000001	DRAWN BY Fisher_Wang	DATE 2013-11-08	
	SCALE 1:1			SIZE A4	SHEET 2 OF 2	DWG NO SSL11-J6A00-000001	CHECKED BY Ivan_Lin	DATE 2013-11-08
	REV. A			WC-REV. A.2	QC: Inspection item	CUSTOMER ALTW	APPROVED BY Kevin_Lin	DATE 2013-11-08