

THIS DRAWING IS UNPUBLISHED. RELEASED FOR PUBLICATION  
 © COPYRIGHT - By - ALL RIGHTS RESERVED.

REVISIONS				
P	LTR	DESCRIPTION	DATE	APVD
H		REVISED PER ECR-16-010585	25JUL2016	RS PO

SPECIFICATIONS:  
 FOUR POLE FOUR THROW

ELECTRICAL:  
 CONTACT RATING, LOAD 1: 24VAC AT 1.2AMP (POWER FACTOR 0.4) AND INRUSH CURRENT OF 4.2 AMP (POWER FACTOR 0.4)  
 LOAD 2: 750mVDC AT 100mA  
 CONTACT RESISTANCE, 30 MILLIOHMS MAX  
 INSULATION RESISTANCE, 500 MEGOHM MIN  
 DIELECTRIC STRENGTH, 500 V RMS@ SEA LEVEL  
 LIFE EXPECTANCY, 2,000 CYCLES

ENVIRONMENTAL:  
 OPERATING TEMPERATURE, -20 TO +85° C  
 STORAGE TEMPERATURE, -20 TO +85° C  
 RESISTANCE TO SOLDER HEAT, PER 109-201, CONDITION A OMIT SECTION 3.3  
 TIME OVER LIQUIDUS (217°C) 20 SECONDS MAX  
 PEAK TEMPERATURE 225°±5°C

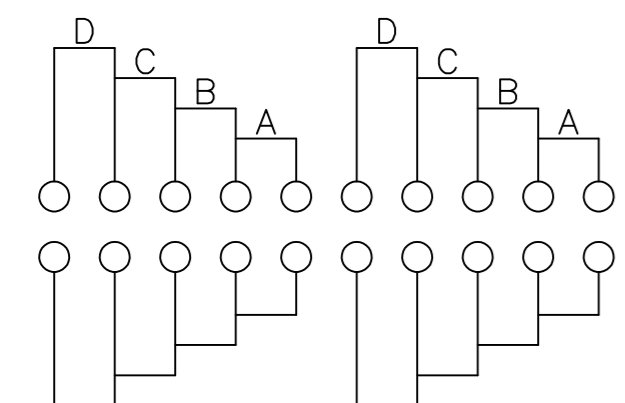
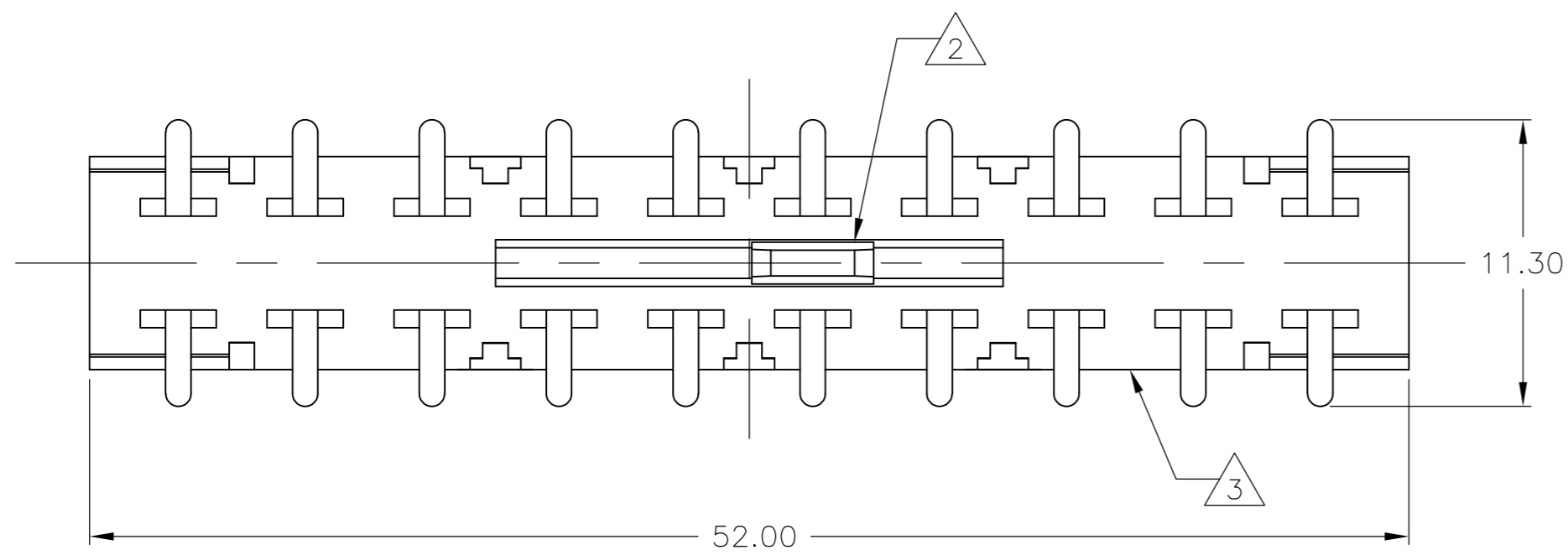
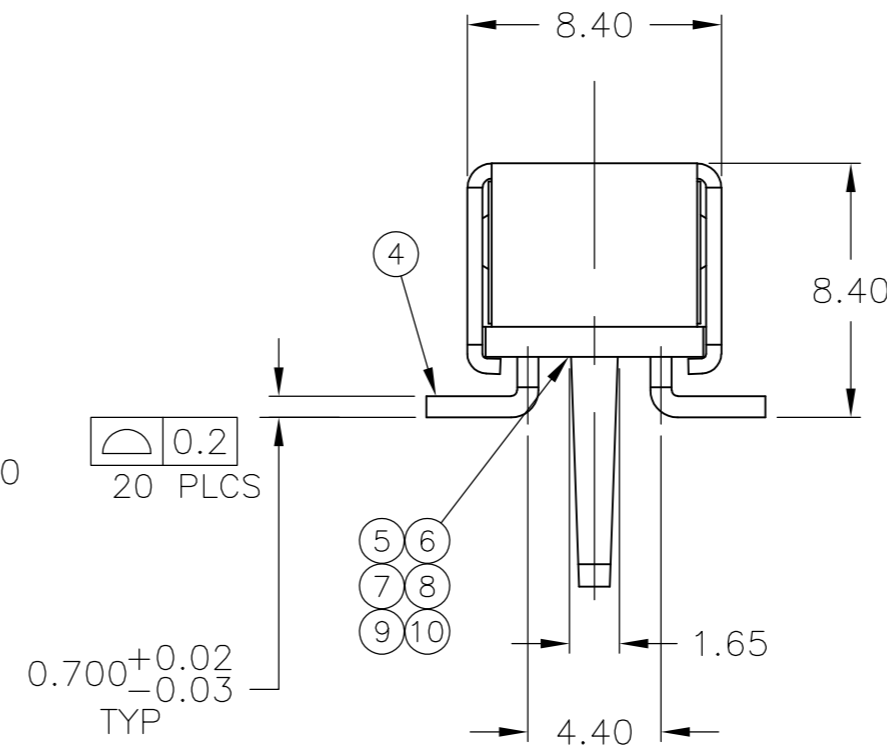
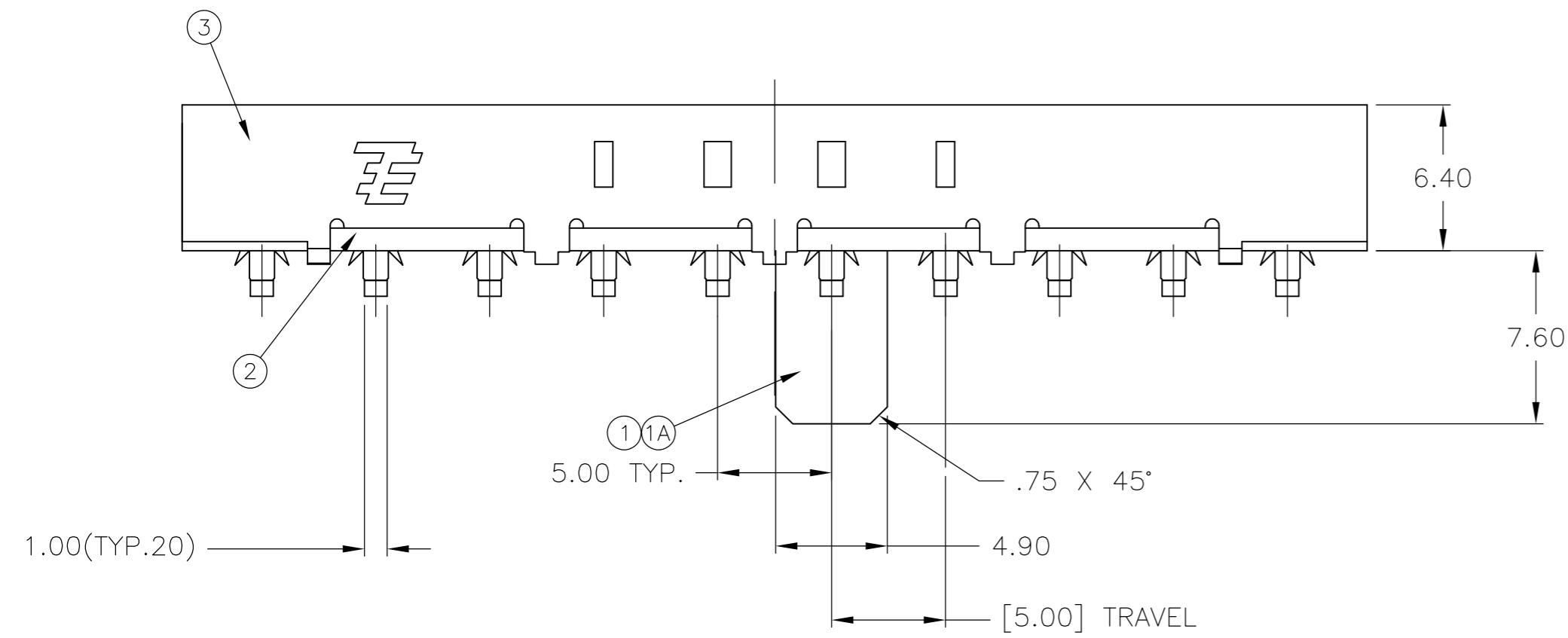
1 ALL MATERIALS AND FINISHES SHALL COMPLY WITH EU DIRECTIVE 2002/95/EC OF 27JAN2003 (ROHS)

2 PART TO BE RECEIVED WITH ACTUATOR IN POSITION B

3 MARK PER 202-37 THIS SURFACE

4 NOTE DELETED.

5 RESISTANCE TO SOLDER HEAT, PER 109-201 CONDITION B.



NON SHORTING SCHEMATIC

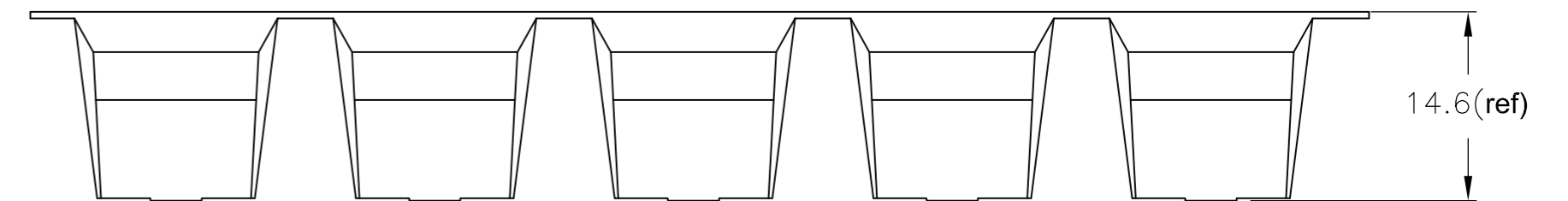
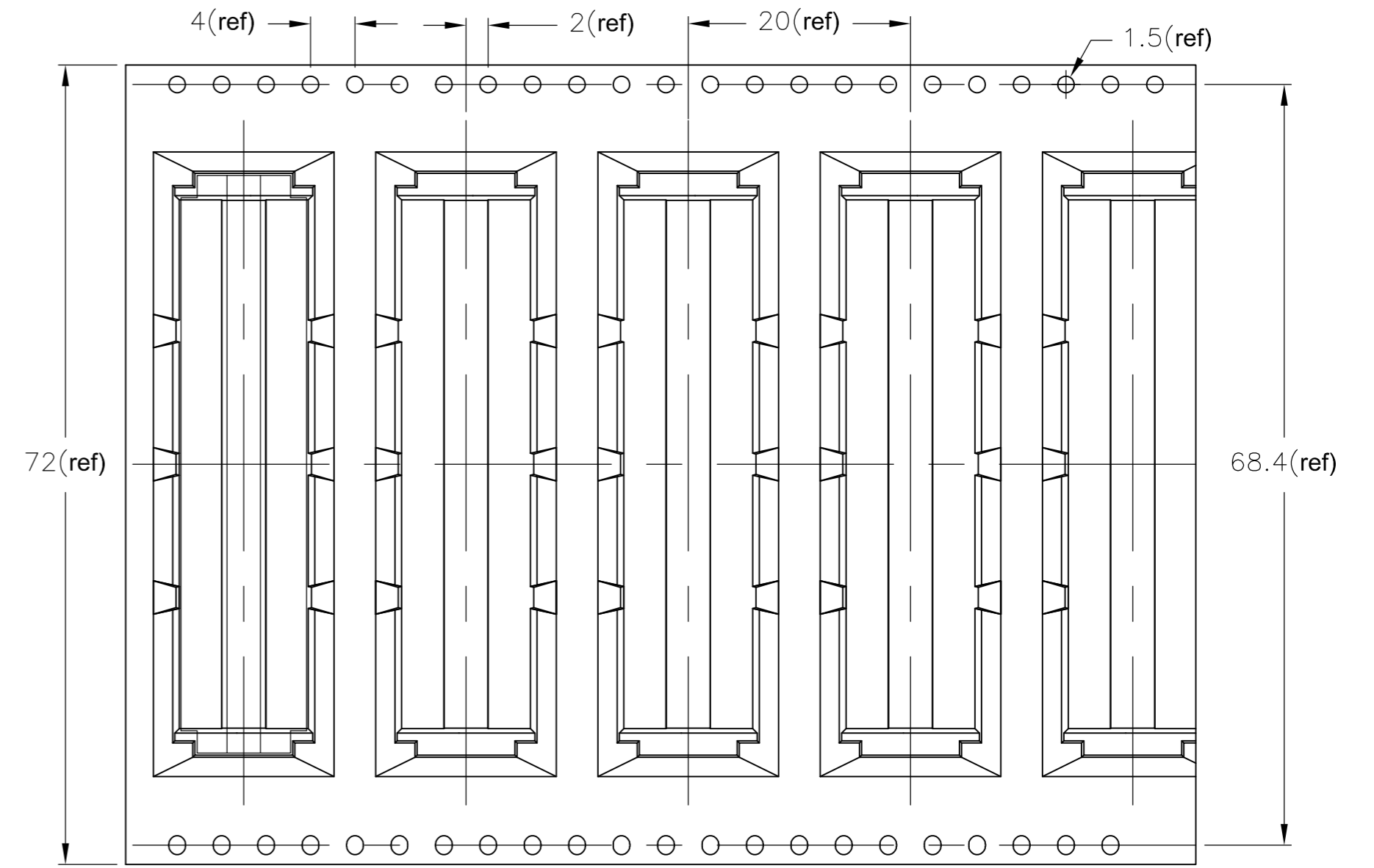
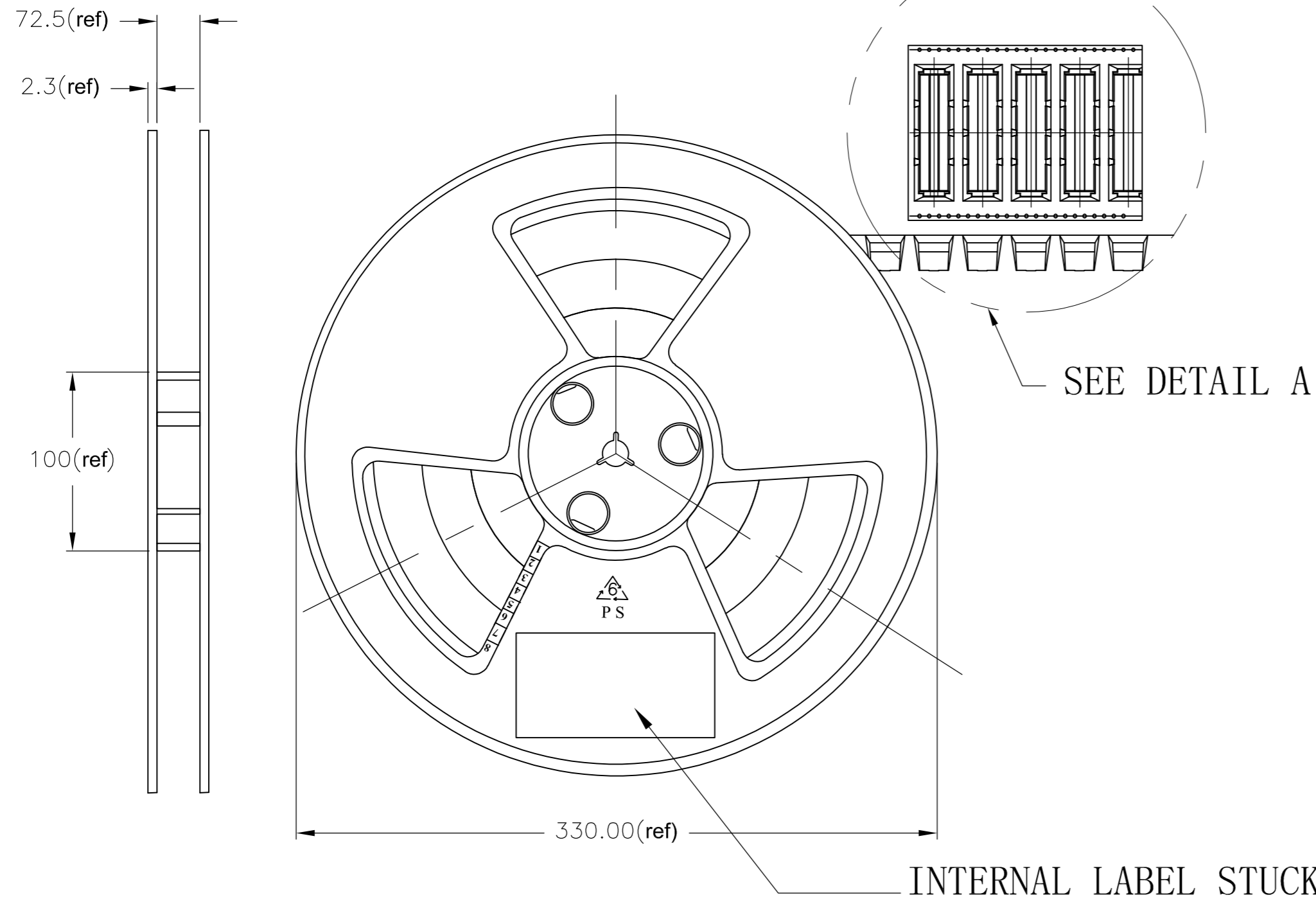
ITEM NO.	DESCRIPTION	MATERIAL	FINISH	QUANTITY
2	NONE	STEEL	BALL	10
1	NONE	STEEL	SPRING	9
AR	NONE	GREASE	ACTUATOR LUBRICATION	8
AR	NONE	GREASE	CONTACT LUBRICATION	7
1	NONE	MUSIC WIRE	COIL SPRING	6
2	AG OVER NI	COPPER TI	MOVING CONTACT	5
20	AG OVER NI	COPPER	FIXED CONTACT/TERMINAL	4
1	NICKEL	COLD ROLLED STEEL	FRAME	3
1	NATURAL	PHENOLIC LAMINATED SHEET UL94 HB	BOARD	2
1	BLACK	LCP UL94 V-0 30% GF	ACTUATOR	1A
-	BLACK	PA66 UL 94HB, 15% GF	ACTUATOR	1
-4	FINISH	MATERIAL	PART DESCRIPTION	ITEM NO.

TAPE & REEL	N/A	1977145-4
SOLDER HEAT	PACKAGING	INSPECTION STATUS

THIS DRAWING IS A CONTROLLED DOCUMENT.		DWN M.BINNER 23JUL2007	TE Connectivity	
DIMENSIONS: mm		CHK M.SARVER 23JUL07	NAME	
TOLERANCES UNLESS OTHERWISE SPECIFIED:		APVD -	PRODUCT SPEC	
0 PLC ± -		APVD -	APPLICATION SPEC	
1 PLC ± -		WEIGHT	SIZE CAGE CODE DRAWING NO RESTRICTED TO	
2 PLC ± 0.20		SCALE	A2 00779 C=1977145	
3 PLC ± 0.02		CUSTOMER DRAWING	SCALE 4:1 SHEET 1 OF 2 REV H	
4 PLC ± -				
ANGLES ± 3°				
FINISH				

THIS DRAWING IS UNPUBLISHED. RELEASED FOR PUBLICATION  
 © COPYRIGHT - By - ALL RIGHTS RESERVED.

REVISIONS					
P	LTR	DESCRIPTION	DATE	DWN	APVD
-	-	SEE SHEET 1	-	-	-



SEE DETAIL A  
4:1

NOTES

1. TAPE, REEL, AND TAPING SHALL MEET THE REQUIREMENTS OF EIA-481-2.
2. EMBOSSED TAPE SHALL BE CONDUCTIVE TYPE.
3. FOR PART ORIENTATION IN TAPE SEE DETAIL A.
4. REEL SHALL CONTAIN 200 PIECES SWITCH.
5. DETAILS OF INTERNAL LABEL ON REEL:  
TYCO ELECTRONICS  
P/N:1977145-3 & -4  
QTY:200PCS  
DATE CODE:XXXX

THIS DRAWING IS A CONTROLLED DOCUMENT.		DWN M.BINNER 23JUL2007		
DIMENSIONS: mm		CHK M.SARVER 23JUL07		
TOLERANCES UNLESS OTHERWISE SPECIFIED:		APVD -	NAME	
0 PLC ± -		PRODUCT SPEC -	SLIDE SWITCH, 4P4T, SMT	
1 PLC ± -		APPLICATION SPEC -	SIZE A2	CAGE CODE 00779
2 PLC ± 0.20		WEIGHT -	DRAWING NO C=1977145	RESTRICTED TO
3 PLC ± 0.02		CUSTOMER DRAWING		
4 PLC ± -		SCALE NTS	SHEET 2 of 2	REV H
ANGLES ± 3°				
FINISH				