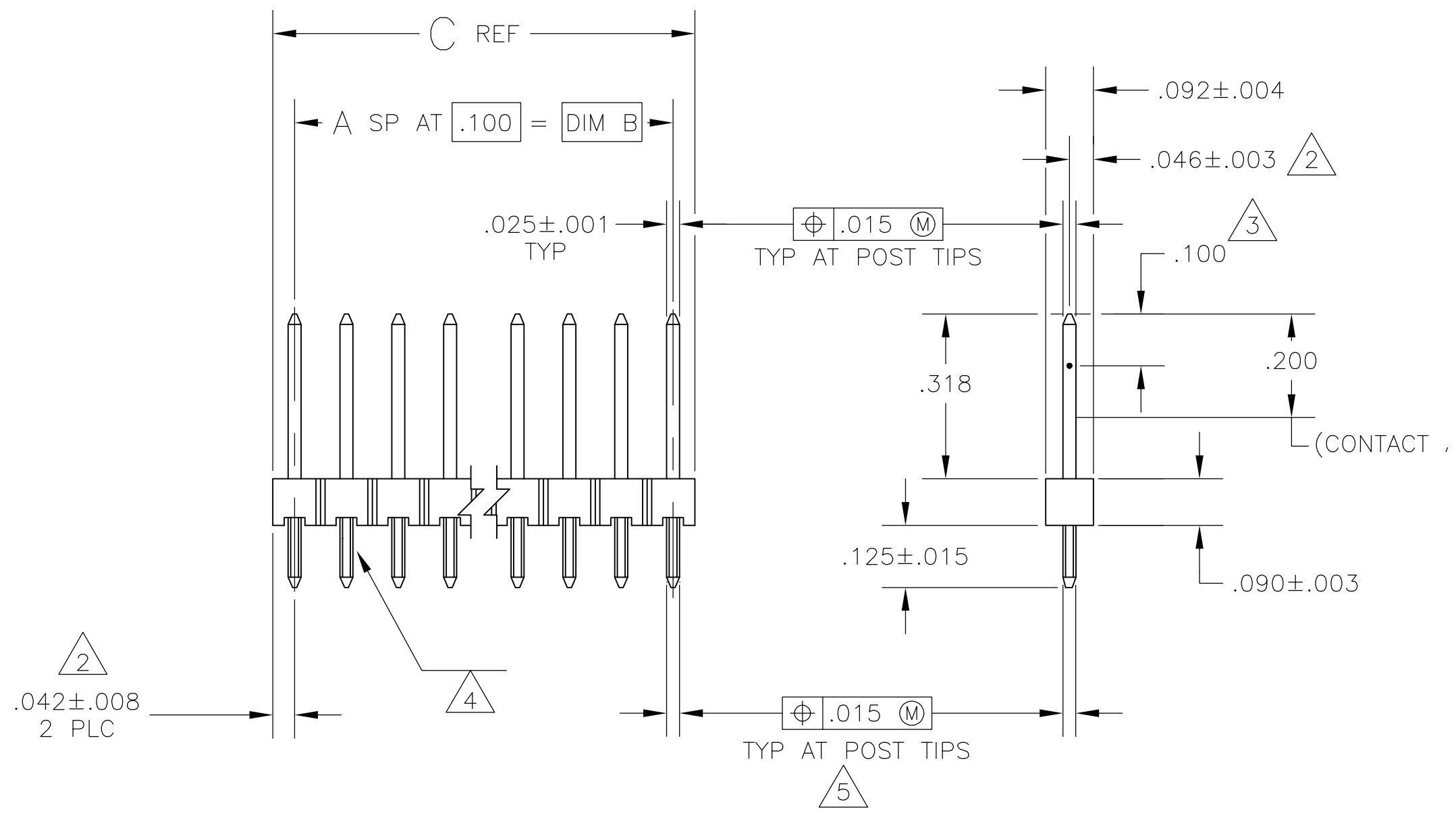
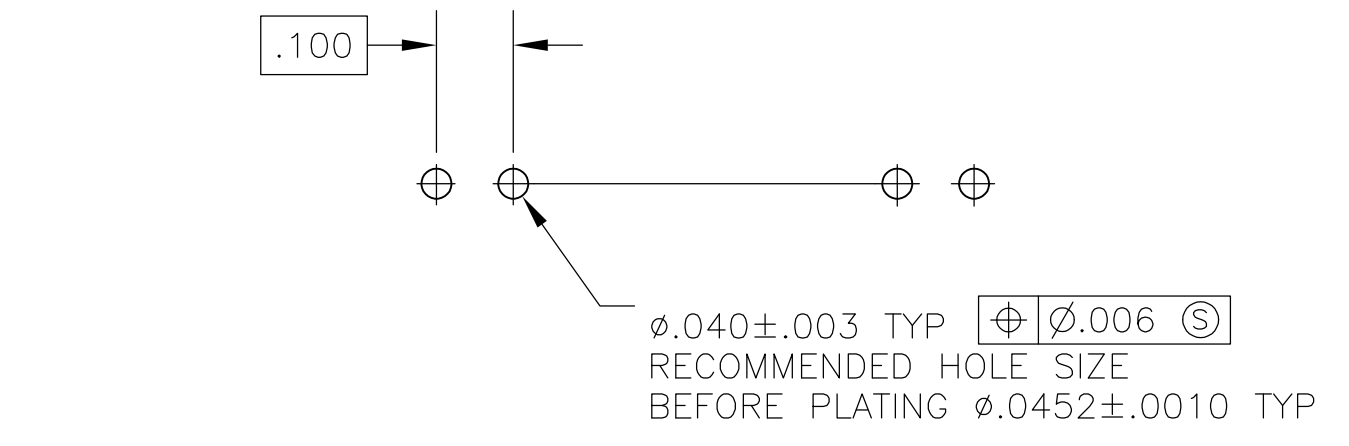


THIS DRAWING IS UNPUBLISHED. RELEASED FOR PUBLICATION
 © COPYRIGHT - By - ALL RIGHTS RESERVED.

LOC		DIST		REVISIONS			
P	LTR	DESCRIPTION		DATE	DWN	APVD	
J2		REVISED PER ECO-11-005027		11MAR11	RK	HMR	



1. TRUE POSITION TOLERANCE OF THE POST TIPS APPLIES WHEN THE HEADERS ARE HELD FLAT AGAINST THE PRINTED CIRCUIT BOARD.
2. THE NOTED DIMENSION APPLIES AT THE INTERSECTION OF THE POST AND THE HOUSING
3. POINT OF MEASUREMENT FOR PLATING THICKNESS.
4. RETENTION FEATURES ON SOLDER TAILS, LOCATED AT MANUFACTURERS OPTION.
5. $\varnothing .020 \text{ M}$ FOR KINKED TAILS
6. OBSOLETE PARTS: OBSOLETE CIS STREAMLINING PER D.RENAUD/D.SINISI



RECOMMENDED HOLE LAYOUT

	3.984	3.900	39	40	2-104426-7
6 OBSOLETE	3.484	3.400	34	35	2-104426-6
	2.984	2.900	29	30	2-104426-5
	2.584	2.500	25	26	2-104426-4
	2.484	2.400	24	25	2-104426-3
6 OBSOLETE	2.384	2.300	23	24	2-104426-2
	2.284	2.200	22	23	2-104426-1
	2.184	2.100	21	22	2-104426-0
	2.084	2.000	20	21	1-104426-9
	1.984	1.900	19	20	1-104426-8
	1.884	1.800	18	19	1-104426-7
	1.784	1.700	17	18	1-104426-6
	1.684	1.600	16	17	1-104426-5
	1.584	1.500	15	16	1-104426-4
	1.484	1.400	14	15	1-104426-3
	1.384	1.300	13	14	1-104426-2
	1.284	1.200	12	13	1-104426-1
6 OBSOLETE	1.184	1.100	11	12	1-104426-0
	1.084	1.000	10	11	1-104426-9
	.984	.900	9	10	104426-8
	.884	.800	8	9	104426-7
	.784	.700	7	8	104426-6
	.684	.600	6	7	104426-5
	.584	.500	5	6	104426-4
	.484	.400	4	5	104426-3
	.384	.300	3	4	104426-2
	.284	.200	2	3	104426-1
	C	B	A	NO OF POSN	ASSEMBLY PART NUMBER

THIS DRAWING IS A CONTROLLED DOCUMENT.		DWN	H. MOLL	28JUN88	 TE Connectivity																		
DIMENSIONS: INCHES		CHK	R. FEIDT	28JUN88																			
TOLERANCES UNLESS OTHERWISE SPECIFIED:		APVD	R. FEIDT	28JUN88																			
<table border="0"> <tr><td>0 PLC</td><td>±</td><td>-</td></tr> <tr><td>1 PLC</td><td>±</td><td>-</td></tr> <tr><td>2 PLC</td><td>±</td><td>-</td></tr> <tr><td>3 PLC</td><td>±</td><td>.005</td></tr> <tr><td>4 PLC</td><td>±</td><td>-</td></tr> <tr><td>ANGLES</td><td>±</td><td>-</td></tr> </table>		0 PLC	±	-		1 PLC	±	-	2 PLC	±	-	3 PLC	±	.005	4 PLC	±	-	ANGLES	±	-	PRODUCT SPEC	-	NAME
0 PLC	±	-																					
1 PLC	±	-																					
2 PLC	±	-																					
3 PLC	±	.005																					
4 PLC	±	-																					
ANGLES	±	-																					
MATERIAL	HOUSING: FLAME RETARDANT THERMOPLASTIC COLOR-BLACK POSTS: PHOSPHOR BRONZE	FINISH	POSTS: .000030 GOLD IN CONTACT AREA .000100-.000200 MATTE TIN-LEAD ON SOLDER TAIL, ALL OVER .000050 NICKEL	WEIGHT	-																		
SCALE		CAGE CODE		DRAWING NO																			
CUSTOMER DRAWING		A2 00779		C=104426																			
SCALE		SHEET		REV																			
4:1		1 of 1		J2																			