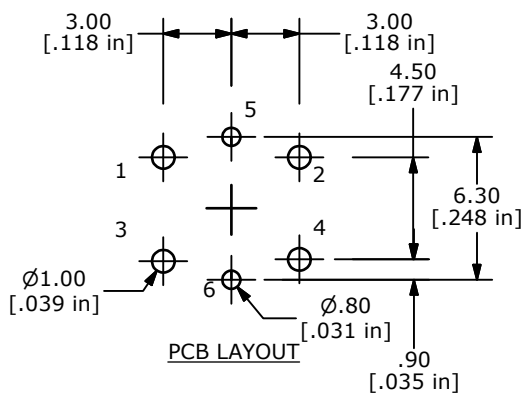


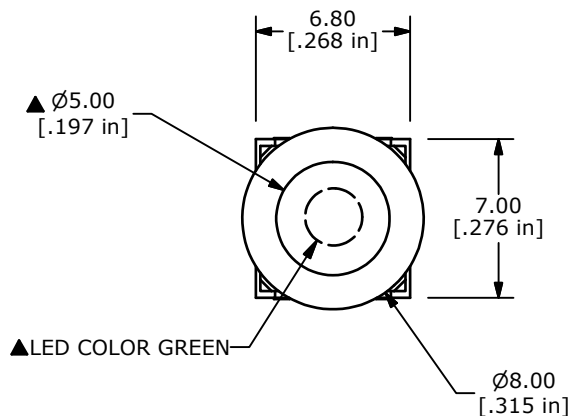
CIRCUIT: SPST ▲



PCB LAYOUT

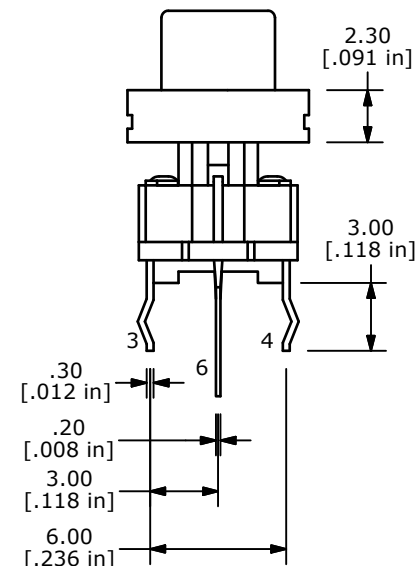
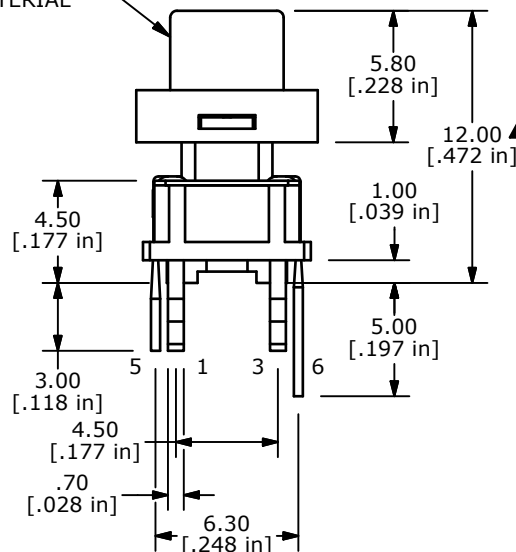
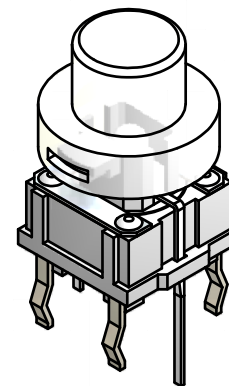
NOTES:

1. ALL DIMENSIONS IN MM
2. GENERAL TOLERANCE: X.X=±0.4
X.XX=±0.25
- ▲ 3. RATING: 50mA, 12VDC
4. TRAVEL: 0.2 ±0.1
5. OPERATING FORCE: 160±50gf
6. CONTACT RESISTANCE: 100m-Ohms MAX
7. CONTACT MATERIAL: SILVER
8. OPERATING LIFE: 500,000 CYCLES
9. INSULATION RESISTANCE: 100m-Ohms MIN
10. DIELECTRIC STRENGTH: 500VDC FOR 1 MINUTE
- ▲ 11. LED COLOR: GREEN
12. OPERATING TEMPERATURE: -20° C TO 70° C
13. 2002/95/EC (ROHS) COMPLIANT
14. ▲DENOTES CRITICAL PARAMETER



▲LED COLOR GREEN

▲ CAP COLOR:
TRANSPARENT
PES MATERIAL



▲ LED SPECS	UNITS	GREEN LED
FORWARD CURRENT	mA	20
FORWARD VOLTAGE	V	2.1 TYP. - 2.5 MAX
LUMINOUS INTENSITY	mcd	800 TYP.



TITLE TL1265GQSCLR				
SCALE	DATE	DR	DWG	REV
3:1	12/8/2010	BA	B200019	C

C	19925	REVISED & REDRAWN	05/12/11	BMA
B	19526	ADD DIMS	12/14/10	BMA
REV	PCR NO	DESCRIPTION	DATE	BY
THE INFORMATION CONTAINED IN THIS DOCUMENT IS PROPRIETARY TO E-SWITCH AND IS NOT TO BE COPIED OR TRANSFERRED				