

To our customers,

---

## Old Company Name in Catalogs and Other Documents

---

On April 1<sup>st</sup>, 2010, NEC Electronics Corporation merged with Renesas Technology Corporation, and Renesas Electronics Corporation took over all the business of both companies. Therefore, although the old company name remains in this document, it is a valid Renesas Electronics document. We appreciate your understanding.

Renesas Electronics website: <http://www.renesas.com>

April 1<sup>st</sup>, 2010  
Renesas Electronics Corporation

Issued by: Renesas Electronics Corporation (<http://www.renesas.com>)

Send any inquiries to <http://www.renesas.com/inquiry>.

## Notice

1. All information included in this document is current as of the date this document is issued. Such information, however, is subject to change without any prior notice. Before purchasing or using any Renesas Electronics products listed herein, please confirm the latest product information with a Renesas Electronics sales office. Also, please pay regular and careful attention to additional and different information to be disclosed by Renesas Electronics such as that disclosed through our website.
2. Renesas Electronics does not assume any liability for infringement of patents, copyrights, or other intellectual property rights of third parties by or arising from the use of Renesas Electronics products or technical information described in this document. No license, express, implied or otherwise, is granted hereby under any patents, copyrights or other intellectual property rights of Renesas Electronics or others.
3. You should not alter, modify, copy, or otherwise misappropriate any Renesas Electronics product, whether in whole or in part.
4. Descriptions of circuits, software and other related information in this document are provided only to illustrate the operation of semiconductor products and application examples. You are fully responsible for the incorporation of these circuits, software, and information in the design of your equipment. Renesas Electronics assumes no responsibility for any losses incurred by you or third parties arising from the use of these circuits, software, or information.
5. When exporting the products or technology described in this document, you should comply with the applicable export control laws and regulations and follow the procedures required by such laws and regulations. You should not use Renesas Electronics products or the technology described in this document for any purpose relating to military applications or use by the military, including but not limited to the development of weapons of mass destruction. Renesas Electronics products and technology may not be used for or incorporated into any products or systems whose manufacture, use, or sale is prohibited under any applicable domestic or foreign laws or regulations.
6. Renesas Electronics has used reasonable care in preparing the information included in this document, but Renesas Electronics does not warrant that such information is error free. Renesas Electronics assumes no liability whatsoever for any damages incurred by you resulting from errors in or omissions from the information included herein.
7. Renesas Electronics products are classified according to the following three quality grades: “Standard”, “High Quality”, and “Specific”. The recommended applications for each Renesas Electronics product depends on the product’s quality grade, as indicated below. You must check the quality grade of each Renesas Electronics product before using it in a particular application. You may not use any Renesas Electronics product for any application categorized as “Specific” without the prior written consent of Renesas Electronics. Further, you may not use any Renesas Electronics product for any application for which it is not intended without the prior written consent of Renesas Electronics. Renesas Electronics shall not be in any way liable for any damages or losses incurred by you or third parties arising from the use of any Renesas Electronics product for an application categorized as “Specific” or for which the product is not intended where you have failed to obtain the prior written consent of Renesas Electronics. The quality grade of each Renesas Electronics product is “Standard” unless otherwise expressly specified in a Renesas Electronics data sheets or data books, etc.
  - “Standard”: Computers; office equipment; communications equipment; test and measurement equipment; audio and visual equipment; home electronic appliances; machine tools; personal electronic equipment; and industrial robots.
  - “High Quality”: Transportation equipment (automobiles, trains, ships, etc.); traffic control systems; anti-disaster systems; anti-crime systems; safety equipment; and medical equipment not specifically designed for life support.
  - “Specific”: Aircraft; aerospace equipment; submersible repeaters; nuclear reactor control systems; medical equipment or systems for life support (e.g. artificial life support devices or systems), surgical implantations, or healthcare intervention (e.g. excision, etc.), and any other applications or purposes that pose a direct threat to human life.
8. You should use the Renesas Electronics products described in this document within the range specified by Renesas Electronics, especially with respect to the maximum rating, operating supply voltage range, movement power voltage range, heat radiation characteristics, installation and other product characteristics. Renesas Electronics shall have no liability for malfunctions or damages arising out of the use of Renesas Electronics products beyond such specified ranges.
9. Although Renesas Electronics endeavors to improve the quality and reliability of its products, semiconductor products have specific characteristics such as the occurrence of failure at a certain rate and malfunctions under certain use conditions. Further, Renesas Electronics products are not subject to radiation resistance design. Please be sure to implement safety measures to guard them against the possibility of physical injury, and injury or damage caused by fire in the event of the failure of a Renesas Electronics product, such as safety design for hardware and software including but not limited to redundancy, fire control and malfunction prevention, appropriate treatment for aging degradation or any other appropriate measures. Because the evaluation of microcomputer software alone is very difficult, please evaluate the safety of the final products or system manufactured by you.
10. Please contact a Renesas Electronics sales office for details as to environmental matters such as the environmental compatibility of each Renesas Electronics product. Please use Renesas Electronics products in compliance with all applicable laws and regulations that regulate the inclusion or use of controlled substances, including without limitation, the EU RoHS Directive. Renesas Electronics assumes no liability for damages or losses occurring as a result of your noncompliance with applicable laws and regulations.
11. This document may not be reproduced or duplicated, in any form, in whole or in part, without prior written consent of Renesas Electronics.
12. Please contact a Renesas Electronics sales office if you have any questions regarding the information contained in this document or Renesas Electronics products, or if you have any other inquiries.

(Note 1) “Renesas Electronics” as used in this document means Renesas Electronics Corporation and also includes its majority-owned subsidiaries.

(Note 2) “Renesas Electronics product(s)” means any product developed or manufactured by or for Renesas Electronics.



# User's Manual

# QB-78K0LX2

## In-Circuit Emulator

---

### Target Devices

**78K0/LE2**

**78K0/LF2**

**78K0/LG2**

Document No. U17468EJ4V0UM00 (4th edition)  
Date Published September 2006 N CP(K)

© NEC Electronics Corporation 2005  
Printed in Japan

[MEMO]

**IECUBE is a trademark of NEC Electronics Corporation.**

**PC/AT is a trademark of International Business Machines Corporation.**

- **The information in this document is current as of September, 2006. The information is subject to change without notice. For actual design-in, refer to the latest publications of NEC Electronics data sheets or data books, etc., for the most up-to-date specifications of NEC Electronics products. Not all products and/or types are available in every country. Please check with an NEC Electronics sales representative for availability and additional information.**

- No part of this document may be copied or reproduced in any form or by any means without the prior written consent of NEC Electronics. NEC Electronics assumes no responsibility for any errors that may appear in this document.

- NEC Electronics does not assume any liability for infringement of patents, copyrights or other intellectual property rights of third parties by or arising from the use of NEC Electronics products listed in this document or any other liability arising from the use of such products. No license, express, implied or otherwise, is granted under any patents, copyrights or other intellectual property rights of NEC Electronics or others.

- Descriptions of circuits, software and other related information in this document are provided for illustrative purposes in semiconductor product operation and application examples. The incorporation of these circuits, software and information in the design of a customer's equipment shall be done under the full responsibility of the customer. NEC Electronics assumes no responsibility for any losses incurred by customers or third parties arising from the use of these circuits, software and information.

- While NEC Electronics endeavors to enhance the quality, reliability and safety of NEC Electronics products, customers agree and acknowledge that the possibility of defects thereof cannot be eliminated entirely. To minimize risks of damage to property or injury (including death) to persons arising from defects in NEC Electronics products, customers must incorporate sufficient safety measures in their design, such as redundancy, fire-containment and anti-failure features.

- NEC Electronics products are classified into the following three quality grades: "Standard", "Special" and "Specific".

The "Specific" quality grade applies only to NEC Electronics products developed based on a customer-designated "quality assurance program" for a specific application. The recommended applications of an NEC Electronics product depend on its quality grade, as indicated below. Customers must check the quality grade of each NEC Electronics product before using it in a particular application.

"Standard": Computers, office equipment, communications equipment, test and measurement equipment, audio and visual equipment, home electronic appliances, machine tools, personal electronic equipment and industrial robots.

"Special": Transportation equipment (automobiles, trains, ships, etc.), traffic control systems, anti-disaster systems, anti-crime systems, safety equipment and medical equipment (not specifically designed for life support).

"Specific": Aircraft, aerospace equipment, submersible repeaters, nuclear reactor control systems, life support systems and medical equipment for life support, etc.

The quality grade of NEC Electronics products is "Standard" unless otherwise expressly specified in NEC Electronics data sheets or data books, etc. If customers wish to use NEC Electronics products in applications not intended by NEC Electronics, they must contact an NEC Electronics sales representative in advance to determine NEC Electronics' willingness to support a given application.

(Note)

(1) "NEC Electronics" as used in this statement means NEC Electronics Corporation and also includes its majority-owned subsidiaries.

(2) "NEC Electronics products" means any product developed or manufactured by or for NEC Electronics (as defined above).

[MEMO]

## General Precautions for Handling This Product

### 1. Circumstances not covered by product guarantee

- If the product was disassembled, altered, or repaired by the customer
- If it was dropped, broken, or given another strong shock
- Use at overvoltage, use outside guaranteed temperature range, storing outside guaranteed temperature range
- If power was turned on while connection to the AC adapter, USB interface cable, or target system was in an unsatisfactory state
- If the cable of the AC adapter, the USB interface cable, the emulation probe, or the like was bent or pulled excessively
- If an AC adapter other than the supplied product was used
- If the product got wet
- If this product is connected to the target system when there is a potential difference between the GND of this product and GND of the target system
- If the connectors or cables are plugged/unplugged while this product is in the power-on state
- If excessive load is applied to the connectors or sockets (As for handling, please see **2.5 Mounting and Connecting Connectors**)
- If the product is used or stored in an environment where an electrostatic or electrical noise is likely to occur

### 2. Safety precautions

- If used for a long time, the product may become hot (50°C to 60°C). Be careful of low temperature burns and other dangers due to the product becoming hot.
- Be careful of electrical shock. There is a danger of electrical shock if the product is used as described above in **1 Circumstances not covered by product guarantee**.

## INTRODUCTION

**Readers** This manual is intended for users who wish to perform debugging using the QB-78K0LX2. The readers of this manual are assumed to be familiar with the device functions and usage, and to have knowledge of debuggers.

**Purpose** This manual is intended to give users an understanding of the basic specifications and correct usage of the QB-78K0LX2.

**Organization** This manual is divided into the following sections.

- General
- Setup procedure
- Settings at product shipment
- Differences between target interface circuit and target device
- Notes

**How to Read This Manual** It is assumed that the readers of this manual have general knowledge in the fields of electrical engineering, logic circuits, and microcontrollers.

This manual describes the basic setup procedures and how to set switches.

To understand the overall functions and usages of the QB-78K0LX2

→Read this manual according to the **CONTENTS**. The mark <R> shows major revised points. The revised points can be easily searched by copying an "<R>" in the PDF file and specifying it in the "Find what:" field.

To know the manipulations, command functions, and other software-related settings of the QB-78K0LX2

→See the user's manual of the debugger (supplied with the QB-78K0LX2) to be used.

<b>Conventions</b>	<b>Note:</b>	Footnote for item marked with <b>Note</b> in the text
	<b>Caution:</b>	Information requiring particular attention
	<b>Remark:</b>	Supplementary information
	Numeric representation:	Binary ... xxxx or xxxxB Decimal ... xxxx Hexadecimal ... xxxxH
	Prefix indicating power of 2 (address space, memory capacity):	K (kilo): $2^{10} = 1,024$ M (mega): $2^{20} = 1,024^2$



## Terminology

The meanings of the terms used in this manual are described in the table below.

Term	Meaning
Target device	This is the device to be emulated.
Target system	This is the system to be debugged. This includes the target program and the hardware provided by the user.
78K0/Lx2	Generic name indicating 78K0/LE2, 78K0/LF2, and 78K0/LG2.
IECUBE™	Generic name for NEC Electronics' high-performance/compact in-circuit emulator.

## Related Documents

Please use the following documents in conjunction with this manual.

The related documents listed below may include preliminary versions. However, preliminary versions are not marked as such.

### Documents Related to Development Tools (User's Manuals)

Document Name		Document Number
QB-78K0LX2 In-Circuit Emulator		This manual
RA78K0 Assembler Package Ver. 3.80	Operation	U17199E
	Language	U17198E
	Structured Assembly Language	U17197E
CC78K0 C Compiler Ver. 3.70	Operation	U17201E
	Language	U17200E
ID78K0-QB Ver. 2.90 Integrated Debugger	Operation	U17437E
PM plus Ver. 5.20		U16934E

**Caution** The related documents listed above are subject to change without notice. Be sure to use the latest version of each document for designing, etc.

## CONTENTS

<b>CHAPTER 1 GENERAL</b> .....	<b>9</b>
1.1 Hardware Specifications .....	10
1.2 System Specifications.....	11
1.3 System Configuration .....	12
1.4 Package Contents .....	15
<b>CHAPTER 2 SETUP PROCEDURE</b> .....	<b>18</b>
2.1 Names and Functions of Hardware.....	19
2.2 Removal of Acrylic Board .....	21
2.3 Clock Settings.....	21
2.3.1 Overview of clock settings .....	21
2.3.2 Clock setting methods .....	22
2.3.3 Main system clock.....	22
2.3.4 Subsystem clock .....	24
2.4 Software Settings .....	24
2.5 Mounting and Connecting Connectors .....	24
2.5.1 Mounting NQ in target system .....	24
2.5.2 Mounting YQ on NQ.....	25
2.5.3 Plugging EA into YQ.....	25
2.5.4 Notes on handling NQ, YQ, and YS .....	25
2.5.5 Notes on mounting NQ and IC .....	26
2.6 Connecting QB-78K0LX2 to Target System .....	27
2.7 Notes on Power Supply and GND Pin Connection .....	31
2.8 Connecting USB Interface Cable and AC Adapter.....	31
2.9 Switching Power On and Off .....	31
<b>CHAPTER 3 SETTINGS AT PRODUCT SHIPMENT</b> .....	<b>32</b>
<b>CHAPTER 4 DIFFERENCES BETWEEN TARGET INTERFACE CIRCUIT AND TARGET   DEVICE</b> .....	<b>33</b>
4.1 For 78K0/LE2 Emulation .....	34
4.2 For 78K0/LF2 (with A/D) Emulation.....	36
4.3 For 78K0/LF2 (without A/D) Emulation .....	38
4.4 For 78K0/LG2 Emulation .....	40
<b>CHAPTER 5 NOTES</b> .....	<b>42</b>
<b>APPENDIX A REVISION HISTORY</b> .....	<b>43</b>

## CHAPTER 1 GENERAL

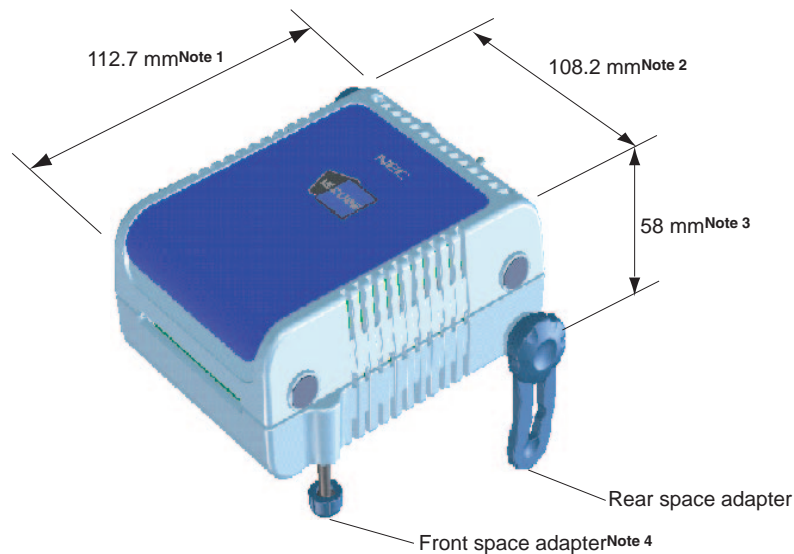
The QB-78K0LX2 is an in-circuit emulator for emulating the 78K0/Lx2.

Hardware and software can be debugged efficiently in the development of systems in which the 78K0/Lx2 is used. This manual describes basic setup procedures, hardware specifications, system specifications, and how to set switches.

1.1 Hardware Specifications

Table 1-1. QB-78K0LX2 Hardware Specifications

Parameter		Specification
Target device		78K0/LE2, 78K0/LF2, 78K0/LG2
Operating voltage		1.8 to 5.5 V
Operating frequency		Main system clock V <sub>DD</sub> = 4.0 to 5.5 V: 20 MHz V <sub>DD</sub> = 2.7 to 5.5 V: 10 MHz V <sub>DD</sub> = 1.8 to 5.5 V: 5 MHz
		Internal oscillation clock Internal high-speed oscillation clock V <sub>DD</sub> = 1.8 to 5.5 V: 8 MHz (TYP.) Internal low-speed oscillation clock V <sub>DD</sub> = 1.8 to 5.5 V: 240 kHz (TYP.) (216 to 264 kHz)
		Subsystem clock V <sub>DD</sub> = 1.8 to 5.5 V: 32.768 kHz
Operating temperature range		0 to 40°C (No condensation)
Storage temperature range		-15 to 60°C (No condensation)
External dimensions		See figure below
Power consumption	AC adapter for QB-78K0LX2	15 V, 1 A
	Target system power supply	Voltage: 1.8 to 5.5 V Current: target device's current consumption + 10 mA (approx.)
Weight		300 g (approx.)
Host interface		USB interface (1.1, 2.0)



- Notes**
1. Does not include projection of power switch
  2. Includes projection of screw that fixes rear space adapter
  3. Dimension when rear space adapter is made shortest (88 mm when longest)
  4. Front space adapter can vary from 20 mm (longest) to 5 mm (shortest)

## 1.2 System Specifications

This section shows the QB-78K0LX2 system specifications.

**Table 1-2. QB-78K0LX2 System Specifications**

Parameter		Specification
Emulation memory capacity	Internal ROM	128 KB (MAX.)
	Internal high-speed RAM	1 KB (MAX.)
	Internal expansion RAM	6 KB (MAX.)
Program execution functions	Real-time execution function	Go, Start from Here, Go & Go, Come Here, Restart, Return Out, Ignore break points and Go
	Non-real-time execution function	Step execution
Break functions	Event break	Execution: 8 points Access: Byte 8 points, word 2 points
	Software break	2000 points
	Pre-execution break	16 points
	Fail-safe break	Exists
	Other	Forcible break, trace full break, trace delay break, timeout break, timer overflow break
Trace functions	Trace data types	Program address, program data, access address, access data, status
	Trace modes	Full trace, section trace, qualify trace
	Trace functions	Delay function, full stop function
	Memory capacity	128K frames
Real-time RAM monitoring function		All spaces
Time measurement functions	Measurement clock	50 MHz or CPU clock
	Measurement objects	Beginning through end of program execution Start event through end event
	Maximum measurement time	Approximately 48 hours and 50 minutes (Resolution 41 $\mu$ s)
	Minimum resolution	20 ns (Measuring time: 85 seconds)
	Number of timers for measurement	Start through end of program execution: 1 Start event through end event: 2
	Measurement results	Maximum, minimum, average, cumulative, number of passes (between events)
	Other	Timer overflow break function, timeout break function
Other functions		Mapping function, event function, coverage function, snapshot function, DMM function, stub function, power-off emulation function, pin mask function

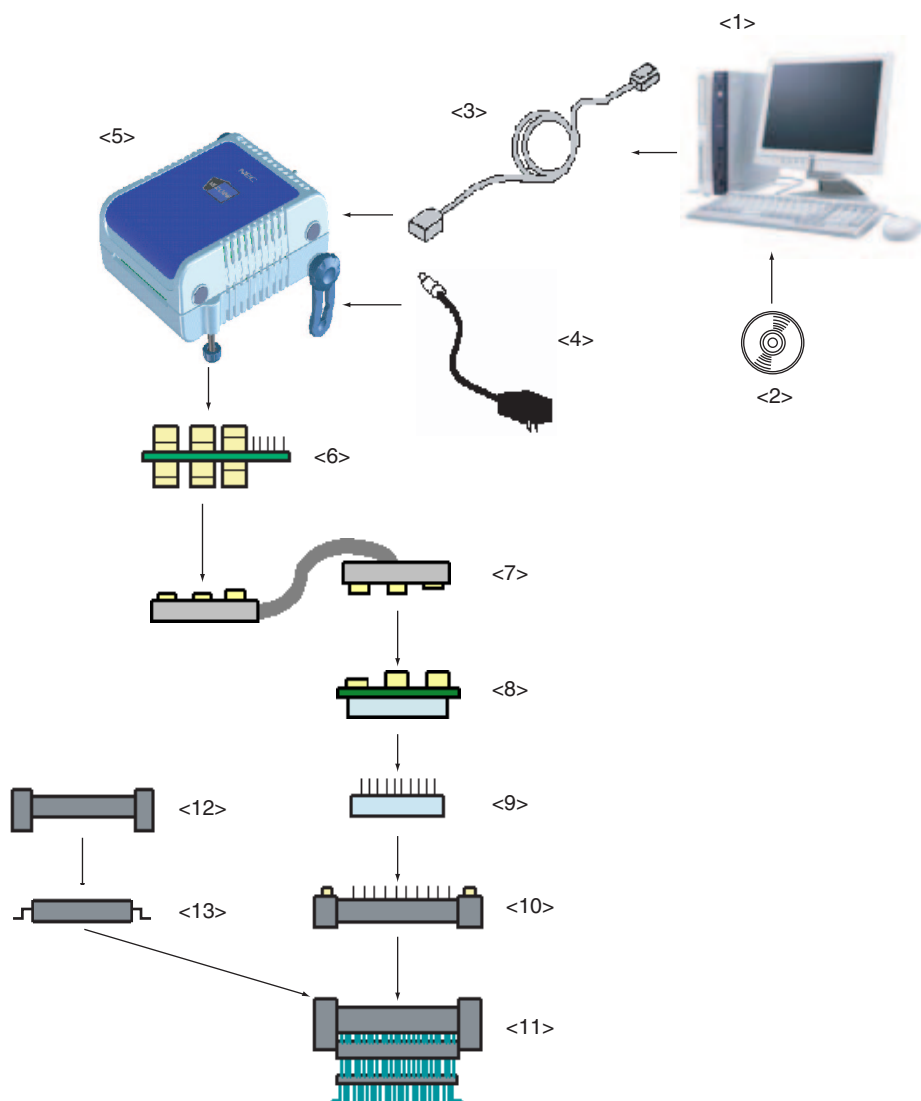
### 1.3 System Configuration

This section shows the system configuration when using the QB-78K0LX2 connected to a PC (PC-9821 series, PC/AT™ compatible). Connection is possible even without optional products.

**Table 1-3. Devices Subject to Emulation by 78K0/Lx2**

Device Name (Common Name)	Package	Device Name
		Flash Memory Version
78K0/LE2 (with A/D)	64-pin LQFP (GB, GK)	$\mu$ PD78F0361, $\mu$ PD78F0362, $\mu$ PD78F0363, $\mu$ PD78F0363D
78K0/LF2 (with A/D)	80-pin LQFP (GC, GK)	$\mu$ PD78F0372, $\mu$ PD78F0373, $\mu$ PD78F0374, $\mu$ PD78F0375, $\mu$ PD78F0376, $\mu$ PD78F0376D
78K0/LF2 (without A/D)	80-pin LQFP (GC, GK)	$\mu$ PD78F0382, $\mu$ PD78F0383, $\mu$ PD78F0384, $\mu$ PD78F0385, $\mu$ PD78F0386, $\mu$ PD78F0386D
78K0/LG2 (with A/D)	100-pin LQFP (GC, GF)	$\mu$ PD78F0393, $\mu$ PD78F0394, $\mu$ PD78F0395, $\mu$ PD78F0396, $\mu$ PD78F0397, $\mu$ PD78F0397D

Figure 1-1. System Configuration



- |  |  |
|--|--|
| <1> Host machine:                                    | PC-9821 series, PC/AT compatible can be used                 |
| <2> ID78K0-QB Disk/Accessory Disk <sup>Note1</sup> : | Debugger, USB drivers, manual, etc.                          |
| <3> USB interface cable:                             | Cable connecting QB-78K0LX2 to host machine                  |
| <4> AC adapter:                                      | Can support 100 to 240 V by replacing AC plug                |
| <5> QB-78K0LX2:                                      | This product   |
| <6> Check pin adapter <sup>Note2</sup> :             | Adapter used when observing waveforms on oscilloscope        |
| <7> Emulation probe:                                 | Coaxial type emulation probe                                 |
| <8> Exchange adapter <sup>Note3</sup> :              | Adapter that performs pin conversion                         |
| <9> Space adapter <sup>Note3</sup> :                 | Adapter for height regulation                                |
| <10> YQ connector <sup>Note3</sup> :                 | Connector that connects exchange adapter to target connector |
| <11> Target connector <sup>Note3</sup> :             | Connector soldered to target system                          |
| <12> Mount adapter <sup>Note3</sup> :                | Adapter for socket mounting target device                    |
| <13> Device:   | Target device  |

Refer to 1.4 Package Contents for the purchase forms of the above products.

- Notes 1.** Obtain device files from the NEC Electronics website.  
<http://www.necel.com/micro/ods/eng/index.html>
- 2.** Please refer to [**Related Information**] on the following URL about attachment method for pin header cover.  
<http://www.necel.com/micro/english/iecube/index.html>
- 3.** As for handling of connectors, refer to **2.5 Mounting and Connecting Connectors.**

**Table 1-4. Check Pin Adapters**

Package	Check Pin Adapter
Common	QB-144-CA-01

**Table 1-5. Exchange Adapters**

Package	Exchange Adapter
100GC	QB-100GC-EA-03T
100GF	QB-100GF-EA-03T
80GC	QB-80GC-EA-04T
	QB-80GC-EA-05T
80GK	QB-80GK-EA-04T
	QB-80GK-EA-05T
64GB	QB-64GB-EA-07T
64GK	QB-64GK-EA-05T

**Table 1-6. Emulation Probes**

Package	Emulation Probe
Common	QB-144-EP-01S
	QB-144-EP-02S

<R>

**Table 1-7. YQ Connectors**

Package	YQ Connector
100GC	QB-100GC-YQ-01T
100GF	QB-100GF-YQ-01T
80GC	QB-80GC-YQ-01T
80GK	QB-80GK-YQ-01T
64GB	QB-64GB-YQ-01T
64GK	QB-64GK-YQ-01T

**Table 1-8. Space Adapters**

Package	Space Adapter
100GC	QB-100GC-YS-01T
100GF	QB-100GF-YS-01T
80GC	QB-80GC-YS-01T
80GK	QB-80GK-YS-01T
64GB	QB-64GB-YS-01T
64GK	QB-64GK-YS-01T



**Table 1-9. Target Connectors**

Package	Target Connector
100GC	QB-100GC-NQ-01T
100GF	QB-100GF-NQ-01T
80GC	QB-80GC-NQ-01T
80GK	QB-80GK-NQ-01T
64GB	QB-64GB-NQ-01T
64GK	QB-64GK-NQ-01T

**Table 1-10. Mount Adapters**

Package	Mount Adapter
100GC	QB-100GC-HQ-01T
100GF	QB-100GF-HQ-03T
80GC	QB-80GC-HQ-01T
80GK	QB-80GK-HQ-01T
64GB	QB-64GB-HQ-01T
64GK	QB-64GK-HQ-01T

&lt;R&gt;

&lt;R&gt;

**Remark** For notes on target system design and package drawings, refer to [Related Information] on the following URL.  
<http://www.necel.com/micro/english/iecube/index.html>

## 1.4 Package Contents

The following items have been placed in the QB-78K0LX2 packing box. Please check the contents.

Products supplied with QB-78K0LX2-ZZZ

- 1: QB-78K0LX2
- 2: AC adapter
- 3: USB interface cable (2 meters)
- 4: Probe holder
- 5: User registration
- 6: Simplified flash programmer (PG-FPL3 or QB-MINI2)
- 7: ID78K0-QB Disk (CD-ROM)
- 8: Accessory Disk (CD-ROM)
- 9: IECUBE Setup Manual

&lt;R&gt;

Products supplied with QB-78K0LX2-T100GC (with A/D)

- 1 to 9
- 10: Emulation probe QB-144-EP-01S
- 11: Exchange adapter QB-100GC-EA-03T
- 12: YQ connector QB-100GC-YQ-01T
- 13: Target connector QB100GC-NQ-01T

## Products supplied with QB-78K0LX2-T00GF (with A/D)

1 to 9

- 10: Emulation probe QB-144-EP-01S
- 11: Exchange adapter QB-100GF-EA-03T
- 12: YQ connector QB-100GF-YQ-01T
- 13: Target connector QB-100GF-NQ-01T

## Products supplied with QB-78K0LX2-T80GC04 (with A/D)

1 to 9

- 10: Emulation probe QB-144-EP-01S
- 11: Exchange adapter QB-80GC-EA-04T
- 12: YQ connector QB-80GB-YQ-01T
- 13: Target connector QB-80GC-NQ-01T

## Products supplied with QB-78K0LX2-T80GC05 (without A/D)

1 to 9

- 10: Emulation probe QB-144-EP-01S
- 11: Exchange adapter QB-80GC-EA-05T
- 12: YQ connector QB-80GC-YQ-01T
- 13: Target connector QB-80GC-NQ-01T

## Products supplied with QB-78K0LX2-T80GK04 (with A/D)

1 to 9

- 10: Emulation probe QB-144-EP-01S
- 11: Exchange adapter QB-80GK-EA-04T
- 12: YQ connector QB-80GK-YQ-01T
- 13: Target connector QB-80GK-NQ-01T

## Products supplied with QB-78K0LX2-T80GK05 (without A/D)

1 to 9

- 10: Emulation probe QB-144-EP-01S
- 11: Exchange adapter QB-80GK-EA-05T
- 12: YQ connector QB-80GK-YQ-01T
- 13: Target connector QB-80GK-NQ-01T

## Products supplied with QB-78K0LX2-T64GB (with A/D)

1 to 9

- 10: Emulation probe QB-144-EP-01S
- 11: Exchange adapter QB-64GB-EA-07T
- 12: YQ connector QB-64GB-YQ-01T
- 13: Target connector QB-64GB-NQ-01T

## Products supplied with QB-78K0LX2-T64GK (with A/D)

1 to 9

- 10: Emulation probe QB-144-EP-01S
- 11: Exchange adapter QB-64GK-EA-05T
- 12: YQ connector QB-64GK-YQ-01T
- 13: Target connector QB-64GK-NQ-01T

The following products are sold as single items.

- Emulation probe
- YQ connector
- Check pin adapter
- Mount adapter
- Exchange adapter
- Target connector
- Space adapter

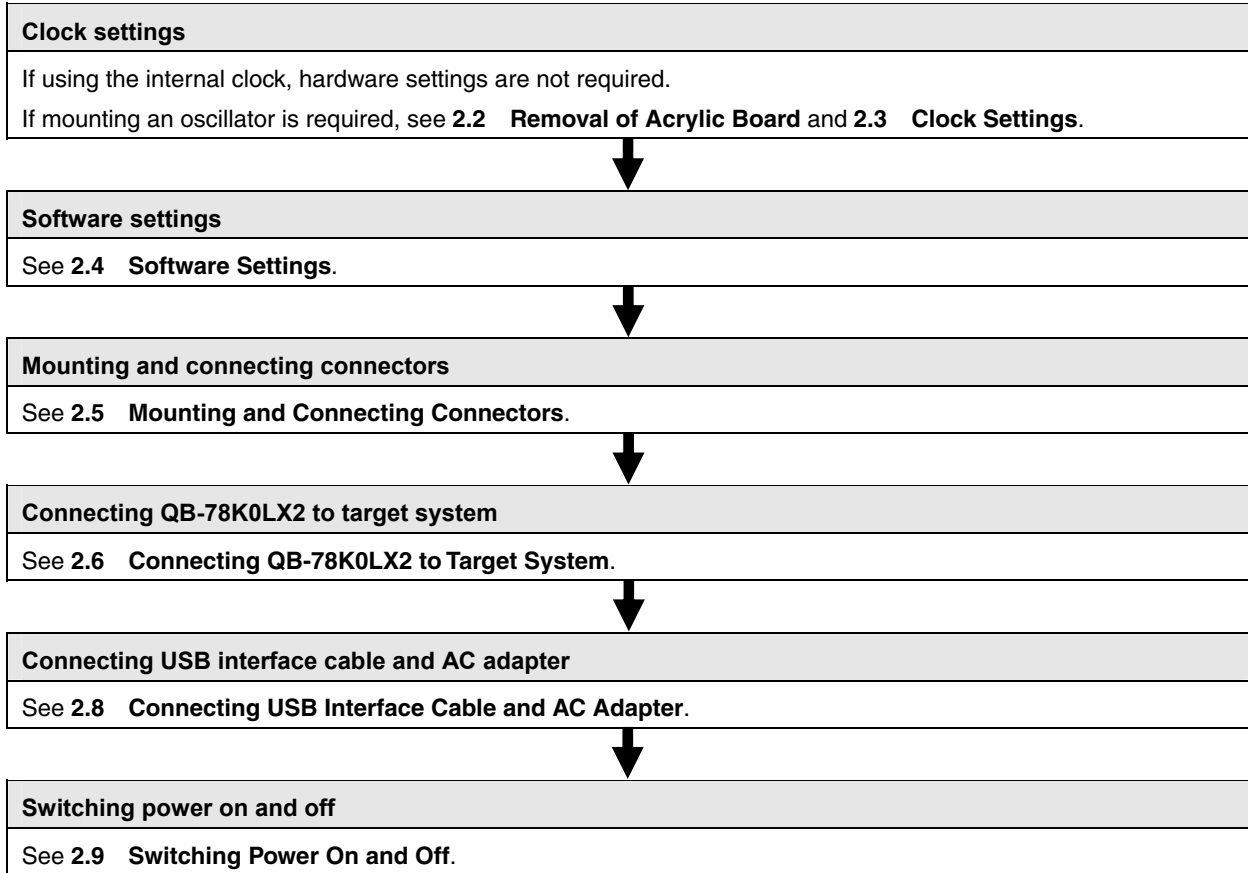
## CHAPTER 2 SETUP PROCEDURE

This chapter explains the QB-78K0LX2 setup procedure.

Setup can be completed by performing installation setup in the order in which it appears in this chapter.

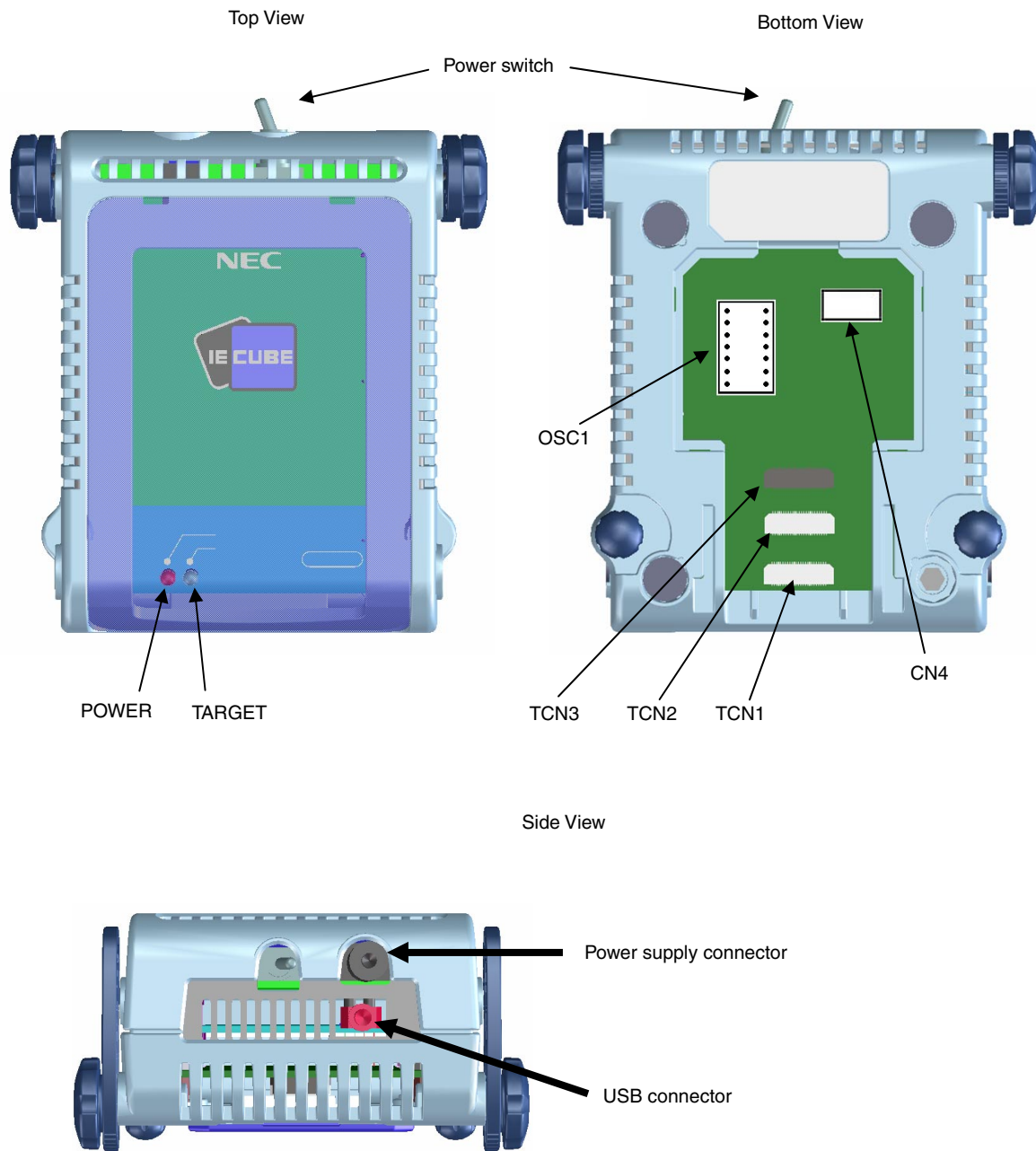
Perform setup along the lines of the following procedure.

See **2.1 Names and Functions of Hardware** for clock board positions.



2.1 Names and Functions of Hardware

Figure 2-1. Names of Parts of QB-78K0LX2



**(1) TCN1, TCN2, TCN3**

These are connectors for connecting a check pin adapter or emulation probe.

**(2) OSC1**

This is a socket for mounting the oscillator.

**(3) CN4<sup>Note</sup>**

This is a connector for the shipment inspection.

**Note** A user does not use CN4.

**(4) POWER (Red LED)**

This is an LED that shows whether or not the power supply of the QB-78K0LX2 is switched on.

LED State	QB-78K0LX2 State
Lit	Power switch ON
Not lit	Power switch OFF or AC adapter not connected to QB-78K0LX2
Blinking	Internal error occurred (Contact an NEC Electronics sales representative or distributor)

**(5) TARGET (Green LED)**

This is an LED that shows whether or not the power supply of the target system is switched on.

LED State	Target System State
Lit	Target system power supply ON
Not lit	Target system power supply OFF or target system not connected

**(6) Power switch**

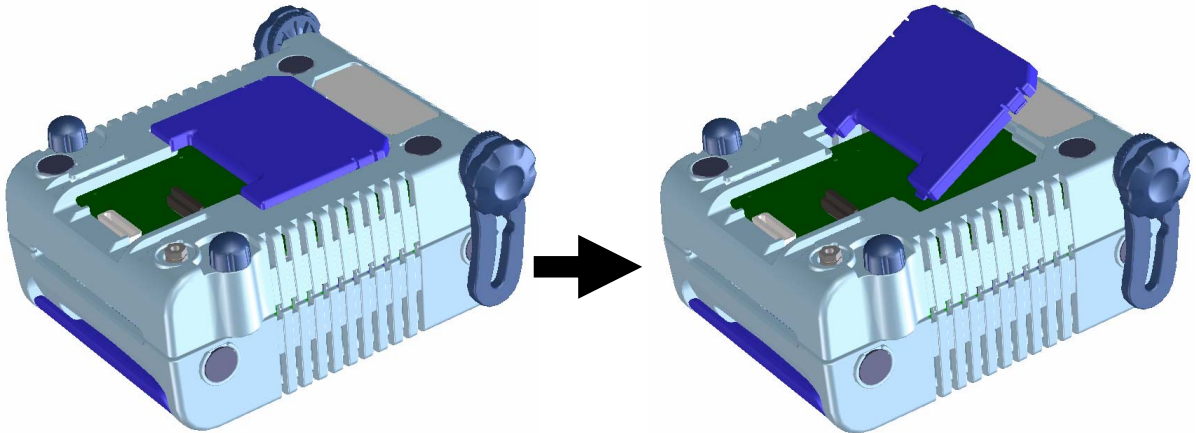
This is the power switch of the QB-78K0LX2.

It is OFF at shipment.

## 2.2 Removal of Acrylic Board

To modify the clock setting, the acrylic board on the bottom of the QB-78K0LX2 must be removed. The acrylic board can be removed by lifting it up.

Figure 2-2. Acrylic Board Removal Method



<R>

## 2.3 Clock Settings

### 2.3.1 Overview of clock settings

The following 5 types of clock settings are available.

For details, see **2.3.2 Clock setting methods**.

Main system clock:

- (1) Using the clock generated in the emulator (with internal high-speed oscillator used)
- (2) Supplying a clock (square wave) from the target system
- (3) Using the oscillator (OSC1) mounted in the emulator

Subsystem clock:

- (1) Using the clock generated in the emulator
- (2) Supplying a clock (square wave) from the target system

### 2.3.2 Clock setting methods

This section shows the clock settings.

**Table 2-1. Main System Clock Setting**

Type of Clock to Be Used	OSC1	Debugger Setting
(1) Using the clock generated in the emulator (with internal high-speed oscillator used)	–	System
(2) Suppling a clock (square wave) from the target system <sup>Note</sup>	–	External
(3) Using the oscillator (OSC1) mounted in the emulator	Mount oscillator	Clock Board

**Note** Do not select this setting when the TARGET LED is not lit.

**Remarks 1.** Settings other than those above are prohibited.

**2.** Selection of (1) or (2) is possible regardless of whether or not the oscillator is mounted onto OSC1.

**Table 2-2. Subsystem Clock Setting**

Type of Clock to Be Used	Remarks
(1) Using the clock generated in the emulator	System
(2) Suppling a clock (square wave) from the target system <sup>Note</sup>	External

**Note** Do not select this setting when the TARGET LED is not lit.

**Remark** Settings other than those above are prohibited.

### 2.3.3 Main system clock

#### (1) Using the clock generated in the emulator

Select “System” in the configuration dialog box of the debugger and select the desired frequency from the dialog menu.

#### (2) Suppling a clock (square wave) from the target system

Select “External” in the configuration dialog box of the debugger to use the clock input from the target system. To input the clock from the target system, input to the clock pin (X2) the square wave<sup>Note</sup> with the same potential as the target device (inputting the inverted waveform to the X1 pin is unnecessary).

**Note** Square waves from oscillators using a resonator are not supported.

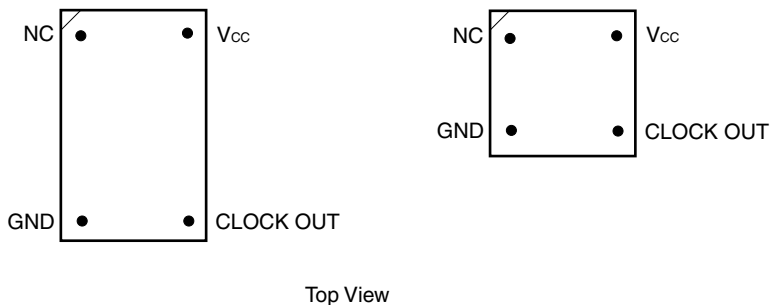


(3) Using the oscillator (OSC1) mounted in the emulator

◆ Things to prepare

- Oscillator<sup>Note</sup> (with pins as shown in Figure 2-3 and a 5 V power supply)

Figure 2-3. Oscillator (Main System Clock)

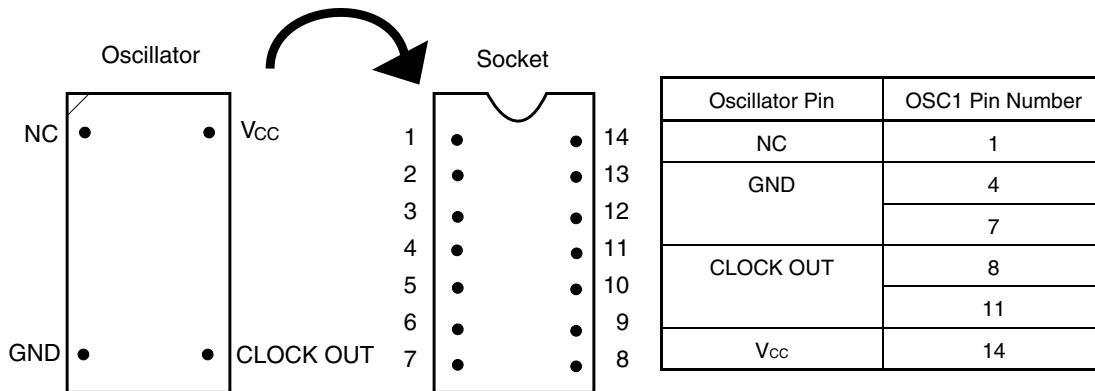


**Note** Oscillation circuits using resonators cannot be used.

<Procedure>

- <1> Mount the prepared oscillator onto OSC1. When mounting the oscillator onto OSC1, be sure to insert it in the direction of pin 1.

Figure 2-4. Alignment of Oscillator to Socket (Main System Clock)



- <2> Set the "Clock Board" in the configuration dialog box of the debugger.

For the frequency at this time, the clock of the oscillator mounted onto OSC1 is used.

### 2.3.4 Subsystem clock

**(1) For mounting internally generated clock**

Select “System” in the configuration dialog box of the debugger and select the desired frequency from the dialog menu.

**(2) For using target system clock**

Select “External” in the configuration dialog box of the debugger to use the clock input from the target system. To input the clock from the target system, input to the clock pin (XT2) the square wave with the same potential as the target device (inputting the inverted waveform to the XT1 pin is unnecessary).

## 2.4 Software Settings

For details, see the **ID78K0-QB Ver. 2.90 Integrated Debugger Operation User's Manual (U17437E)**.

## 2.5 Mounting and Connecting Connectors

This section describes the methods of connecting the QB-78K0LX2 and target system.

Make connections with both the QB-78K0LX2 and target system powered OFF.

The following abbreviations are used in this section.

- NQ: Target connector
- YQ: YQ connector
- EA: Exchange adapter
- HQ: Mount adapter
- CA: Check pin adapter
- YS: Space adapter

### 2.5.1 Mounting NQ in target system

- (1) Thinly apply a two-component epoxy adhesive (hardening time at least 30 minutes) to the ends of the four projections on the base of the NQ and adhere the NQ to the user board (clean the surface of the user board using alcohol or the like). If alignment of user board pads to NQ leads is difficult, align them as in (2).
- (2) Align by inserting the guide pins for alignment for the NQ (NQ-Guide) through the pin holes on the top of the NQ. Accessory holes are  $\phi 1.0$  mm non-through holes in 2 or 3 places.  
(For hole positions, see the particular NQ drawing.)
- (3) Solder after fitting the HQ to the NQ. This is to prevent troubles such as flux or solder splatter and adhering to the NQ contact pins when soldering.
  - Soldering conditions      Solder reflow              At 240°C for a maximum of 20 seconds  
   Manual soldering            At 240°C for a maximum of 10 seconds (1 pin)

**Caution** Do not perform washing by flux immersion or vapor.

- (4) Take away the guide pins.

### 2.5.2 Mounting YQ on NQ

- (1) After confirming that there are no broken or bent YQ contact pins, fit the YQ in the NQ and fasten the screw. If repeatedly inserting and removing, be sure to inspect the YQ pins before fitting. If pins are bent, correct them using something thin and flat such as the edge of a knife.
- (2) Accessory holes are needed in prescribed positions in 4 places in the board for connecting the YQ. Fasten the YQ to the NQ on the user board using the supplied M2 × 10 mm screws. The thickness of a board corresponding to these screws is 1.0 to 2.0 mm. Fasten the screws equally in the four corners using a No. 1 or No. 0 Phillips precision screwdriver or torque driver. The tightening torque of the screws is 0.054 Nm (MAX.). Too great tightening causes bad connections.  
Screws for fitting to the NQ (M2 × 10 mm/4) are included with the YQ.

### 2.5.3 Plugging EA into YQ

Match the No. 1 pin position of the YQ or YS (C cuts match in both) to the No. 1 pin position of the EA and plug in.

- When plugging or unplugging, press on the NQ, YQ, and YS with a finger so that there is no force on the NQ.
- When plugging or unplugging, be careful of the direction of rocking.

As a tool when unplugging, insert some kind of thin non-conductive material such as a wooden stick between the YQ (YS) and EA and rock while slowly unplugging. Be careful since the connector will be damaged if this is done in the wrong direction.

### 2.5.4 Notes on handling NQ, YQ, and YS

- (1) When taking the NQ from the box, press down on the body and take out the sponge first.
- (2) Since the pins of the YQ are thin and easily bent, be careful. When inserting it in the NQ, confirm that there are no bent pins.
- (3) When screwing a YQ soldered to a board to the NQ, fasten the screws in four places in turn using a No. 0 or No. 1 Phillips precision screwdriver or torque driver after tentatively tightening them. Fix the torque at 0.054 Nm (MAX.). If just one place is overtightened, it may cause poor contact. Moreover, a board being connected to the YQ must have accessory holes in prescribed positions (4 places:  $\phi 2.3$  mm or  $\phi 3.3$  mm). The  $\phi 3.8$  mm or  $\phi 4.3$  mm that is the screw head size is an area where wiring is prohibited.
- (4) In YQ and YS removal, since there is a danger of YQ pins being bent or broken when prying and rocking, remove them gradually using a flatbladed screwdriver from four directions. Moreover, to connect and use the YQ and YS, screw the YQ to the NQ according to the YQGUIDE (sold separately) using a 2.3 mm flatbladed screwdriver and then connect it to the YS. Fix the torque at 0.054 Nm (MAX.). If even one place is overtightened, it may cause poor contact.
- (5) For the NQ, YQ, and YS, since there is a danger that washing fluid on the structure will remain in the connector, do not perform washing.
- (6) NQ, IC, and YQ cannot be used in combination.
- (7) An NQ/YQ system cannot be used in an environment of vibrations or shocks.
- (8) It is assumed that this product will be used in system development and evaluation. Moreover, when used in Japan, Electrical Appliance and Material Control Law and electromagnetic disturbance countermeasures have not been applied.
- (9) Since there are rare cases of shape change if the box is left for a long time in a place where it is 50°C or higher, for safekeeping, store it in a place where it is no higher than 40°C and direct sunlight does not hit it.
- (10) For details about handling the NQ, YQ, and YS, see the NQPACK series technical materials at the website of Tokyo Eletech Corporation.

Tokyo Eletech Corporation website: <http://www.tetc.co.jp/>

### 2.5.5 Notes on mounting NQ and IC

- (1) Confirm that there is no weld flash in the resin (sealant part) of the IC. If there is weld flash, remove it using a knife or the like.
- (2) Confirm that there is no weld flash breaking or bending of IC leads. In particular, confirm the planarity of IC leads. If there is abnormality in the planarity, correct that portion.
- (3) Viewing the NQ contact pins from the top, if there are foreign bodies on them, remove them using a brush or the like.

After confirming (1) to (3), fit the IC to the NQ. Also fit the HQ.

- (4) Put the supplied  $M2 \times 6$  mm screws in the 4 accessory holes of the HQ and fasten the screws in opposite corners. At that time, use either the dedicated screw driver that is supplied or a torque driver to fasten them equally in turn with a tightening torque of 0.054 Nm (MAX.). Since the contact is poor if tightening is too great, once you have lightly fastened the HQ screws, tighten them again.
- (5) Depending on the use environment, when starting up a device that has been left for a long time, starting it may be difficult. In this case, loosen the screws slightly and then retighten them.
- (6) If startup still is difficult after (5) above, check (1) to (3) again.
- (7) Tightening the screws of the HQ too much may give rise to cracks in the molded part of the HQ (plastic part) and bend the mold into a bowed shape, making contact poor.
- (8) After soldering the NQ, do not perform washing by flux immersion or vapor.

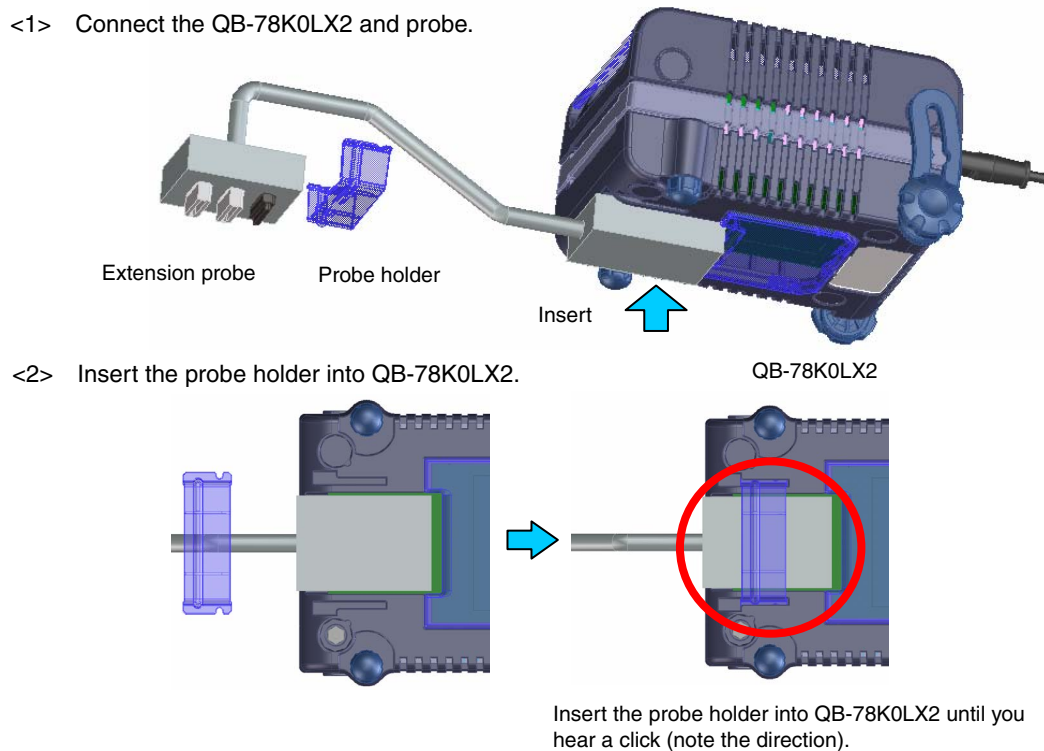
## 2.6 Connecting QB-78K0LX2 to Target System

If connecting the emulation probe (QB-144-EP-01S), connect it to the QB-78K0LX2 and the target system by the following procedure.

### (a) Connecting probe holder

Use the probe holder (supplied with the QB-78K0LX2) to connect the extension probe to the QB-78K0LX2, as shown below.

**Figure 2-5. Using Probe Holder**



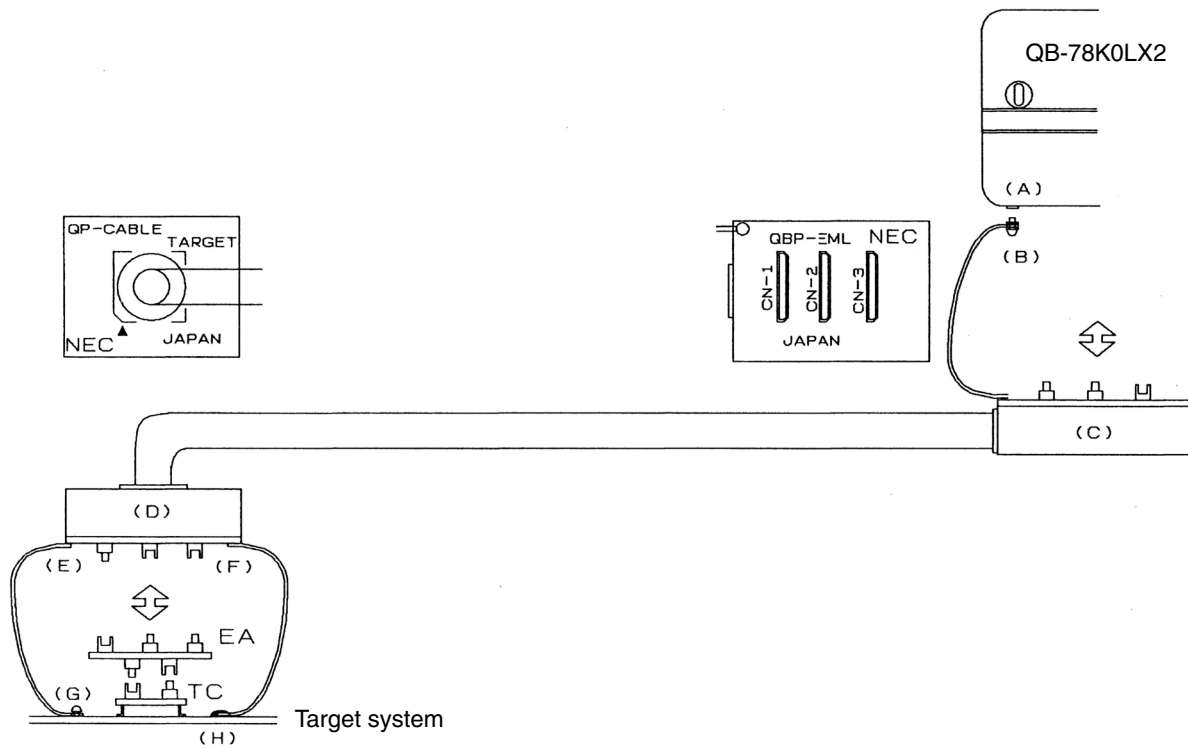
### (b) Connection of extension probe GND wire

There are three GND wires in the extension probe. Connect them to the QB-78K0LX2 and target system.

<1> Fasten the GND wire on the QB-78K0LX2 side of the extension probe to the nut on the bottom of the QB-78K0LX2 using a #0 or #1 Phillips precision screwdriver (connection of (B) to (A) in Figure 2-6).

<2> Next plug the connector on top of the extension probe into the connector at the opening on the bottom of the QB-78K0LX2 from below being careful of the insertion direction (connection of (C) in Figure 2-6 to QB-78K0LX2).

Figure 2-6. GND Wire



<3> Connect the exchange adapter and extension probe to the target connector.

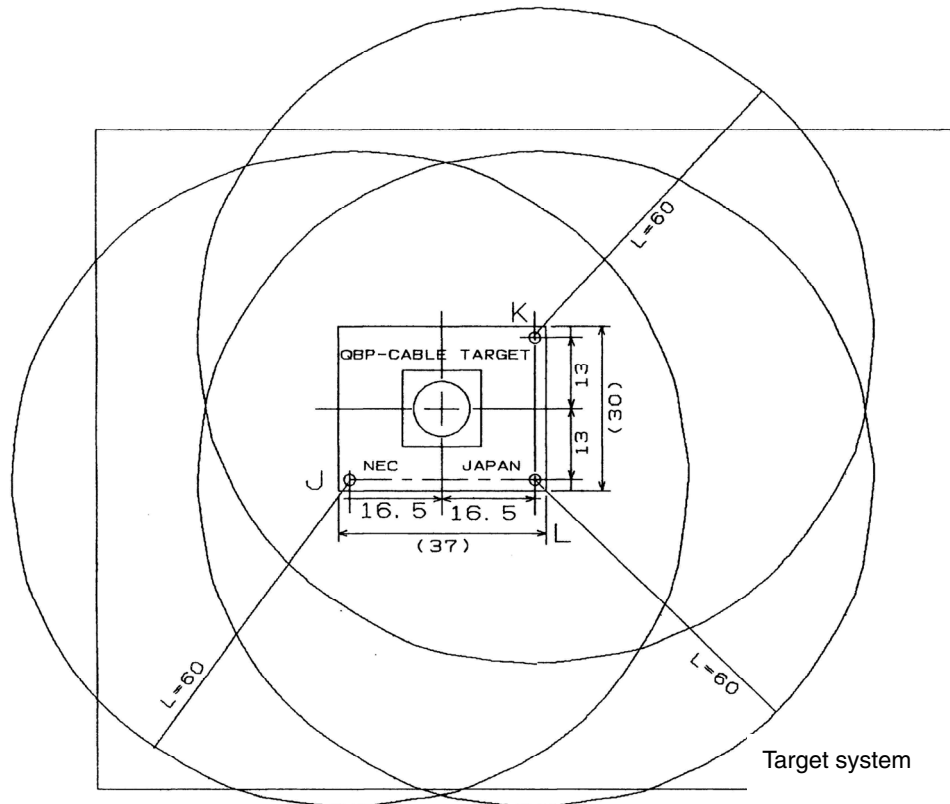
<4> Connect two GND wires on the target system side of the extension probe to the target system GND.

If a pin or screw is fastened to the target system GND, remove the transparent terminal cover on the end of the GND wire and fasten the Y type pin of the GND wire to the target system ((G) in Figure 2-6). If the GND on the target system is an exposed pad, likewise fasten the Y type pin to the pad on the target system by soldering ((H) in Figure 2-6) (recommended soldering iron temperature setting: 300°C).

<5> If the target system has only one GND, connect only one of the GND wires of the extension probe. Cut off the other GND wires with a nipper or leave it as is without removing the pin cover.

<6> Since the length of the GND wire below the head (insulated part) is approximately 60 mm, there must be at least a GND to which it can be connected to within the range of the three approximately 60 mm radius sections of the target system for connecting the extension probe, as shown in Figure 2-7. The GND wire of the extension probe is soldered to positions J and K in Figure 2-7. To connect it to position L, remove the wire soldered to J or K and then solder it to L.

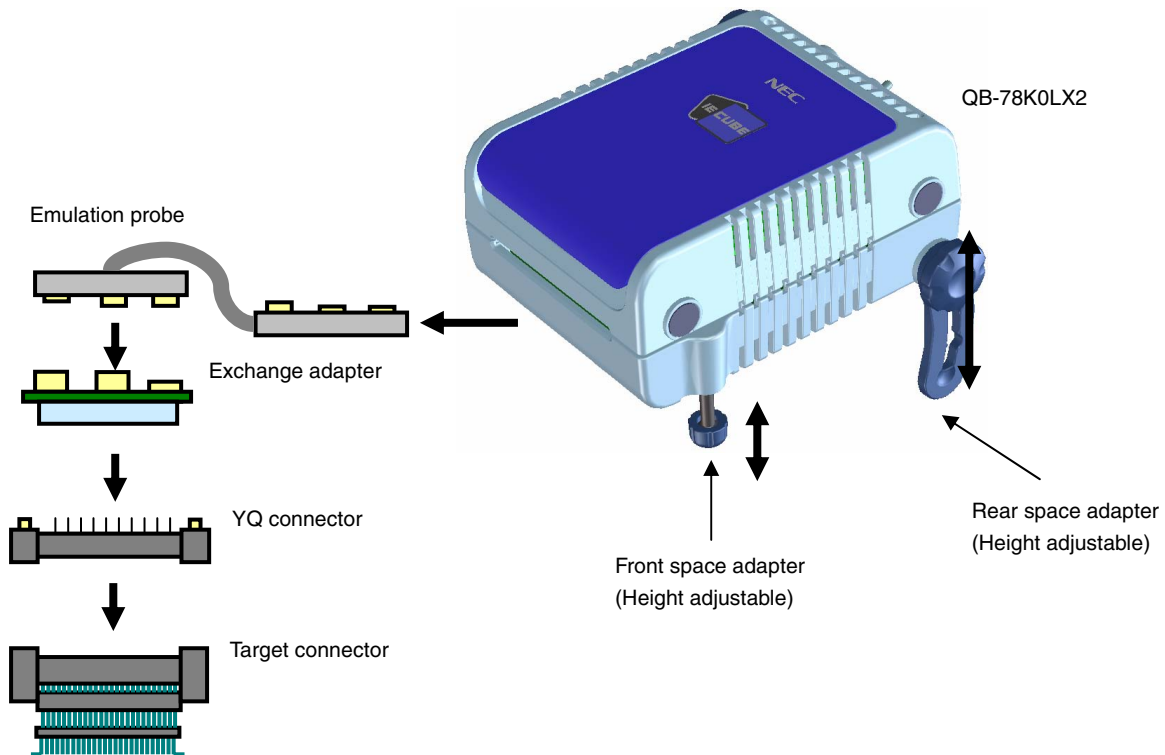
Figure 2-7. Where GND Wire Can Be Connected



**(c) Ensuring isolation**

When connecting the target system to the QB-78K0LX2 using an emulation probe, adjust the height using the front space adapter or rear space adapter of the QB-78K0LX2 and ensure isolation from the target system.

**Figure 2-8. Connection Using Emulation Probe**

**(d) Precautions related to emulation probe**

The following precautions pertain to using the emulation probe.

- <1> Be careful that stress of the emulation probe is not placed on the target connector. Moreover, when removing the emulation probe, remove it slowly while pressing down on the exchange adapter with a finger so that there is no stress on the target connector.
- <2> Be sure to connect the GND wire of the emulation probe to the QB-78K0LX2 and the target system. If not, the impedance of the cable becomes unstable, resulting in the lowering of signal transmission characteristics or distortion of the output waveform for an input waveform.



## 2.7 Notes on Power Supply and GND Pin Connection

For power supplies and GND pins of the target device, be sure to connect all pins to each power supply or GND.

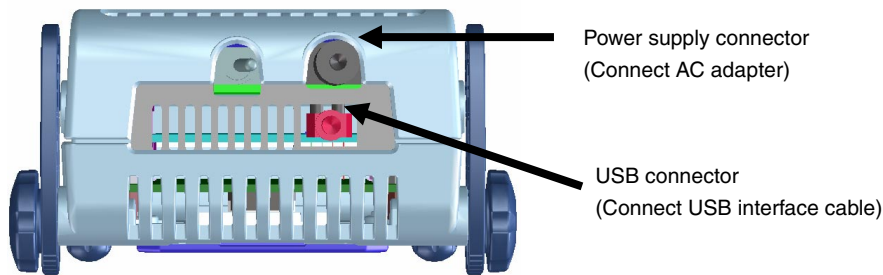
## 2.8 Connecting USB Interface Cable and AC Adapter

Plug the USB interface cable supplied with the QB-78K0LX2 into the USB connector of the host machine, and plug the other side into the USB connector on the rear of the QB-78K0LX2.

Plug the AC adapter supplied with the QB-78K0LX2 into a receptacle and plug the other side into the power supply connector on the rear of the QB-78K0LX2.

For QB-78K0LX2 connector positions, see **Figure 2-9**. There are three types of AC adapter plug. Use the one that has a suitable shape.

**Figure 2-9. Connector Positions**



## 2.9 Switching Power On and Off

Be sure to switch the power on and off according to the following procedures.

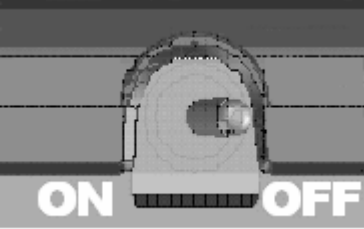
- |  |   |
|--|---|
| • Switching power on                       | • Switching power off                       |
| <1> QB-78K0LX2 power on                    | <1> Debugger termination                    |
| <2> Target system power on <sup>Note</sup> | <2> Target system power off <sup>Note</sup> |
| <3> Debugger startup                       | <3> QB-78K0LX2 power off                    |

**Note** In the procedures, <2> is unnecessary if the target system is not connected.

**Caution** If the wrong sequence was used for the operation, the target system or QB-78K0LX2 may fail.

## CHAPTER 3 SETTINGS AT PRODUCT SHIPMENT

Table 3-1. Settings at Shipment

Item	Setting	Remarks
OSC1	Not mounted	Oscillator can be mounted. <sup>Note</sup>
Power switch		Is set to OFF at shipment.

**Note** The oscillation circuit using an oscillation cannot be used.

## CHAPTER 4 DIFFERENCES BETWEEN TARGET INTERFACE CIRCUIT AND TARGET DEVICE

This chapter explains the differences between the signal lines of a target interface circuit of the QB-78K0LX2 and the signal lines of a target device

Although the target device is a CMOS circuit, the target interface circuit of the QB-78K0LX2 consists of an emulation circuit that depends on the emulation CPU, TTL, CMOS-IC, or other.

When the target system is debugged by connecting it to the QB-78K0LX2, the QB-78K0LX2 emulates just as if the actual target device were operating on the target system.

However, small differences arise because the QB-78K0LX2 actually is emulating.

- (1) Signals input and output by emulation CPU (FPGA,  $\mu$ PD78F0547,  $\mu$ PD71312)
- (2) Other signals

The circuits of the QB-78K0LX2 for the signals in (1) and (2) above are shown below by target device.

## 4.1 For 78K0/LE2 Emulation

For the signals in (1) and (2) below, see **Figure 4-1 Emulation Circuit Equivalent Circuit 1**.

### (1) Signals input and output by emulation CPU (FPGA, $\mu$ PD78F0547, $\mu$ PD71312)

- P01, P00
- P17 to P10
- P24 to P20
- P33 to P30
- P123, P121, P120
- S19 to S0
- COM3 to COM0
- $V_{LC0}$  to  $V_{LC2}$
- X2, XT2
- SDA0, SCL0
- CAPH, CAPL
- $\overline{\text{RESET}}$ , REGC,  $V_{SS}$ , IC/FLMD0

### (2) Other signals

- $V_{DD}$ ,  $LV_{SS}$ ,  $LV_{DD}$ ,  $AV_{SS}$ ,  $AV_{REF}$

**Figure 4-1. Emulation Circuit Equivalent Circuit 1 (1/2)**

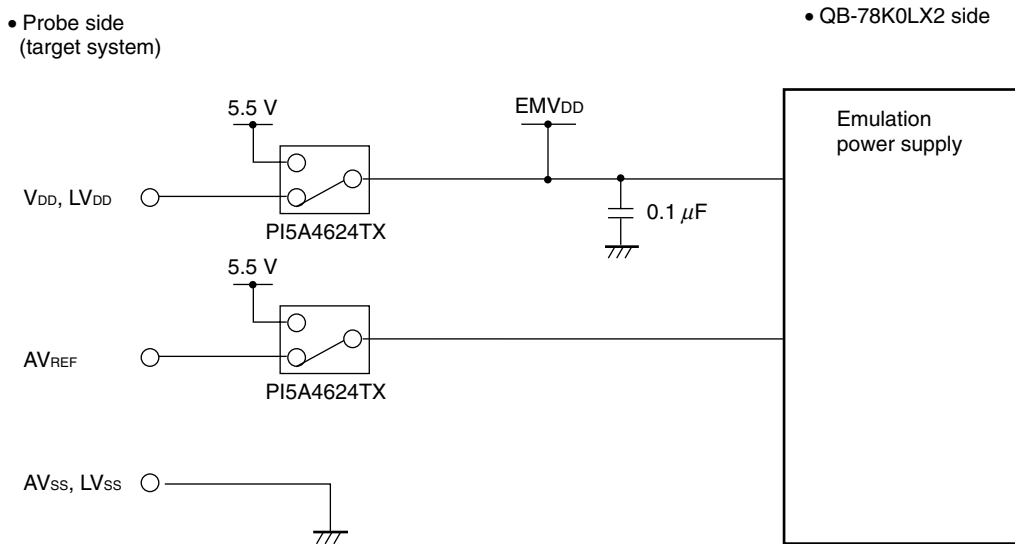
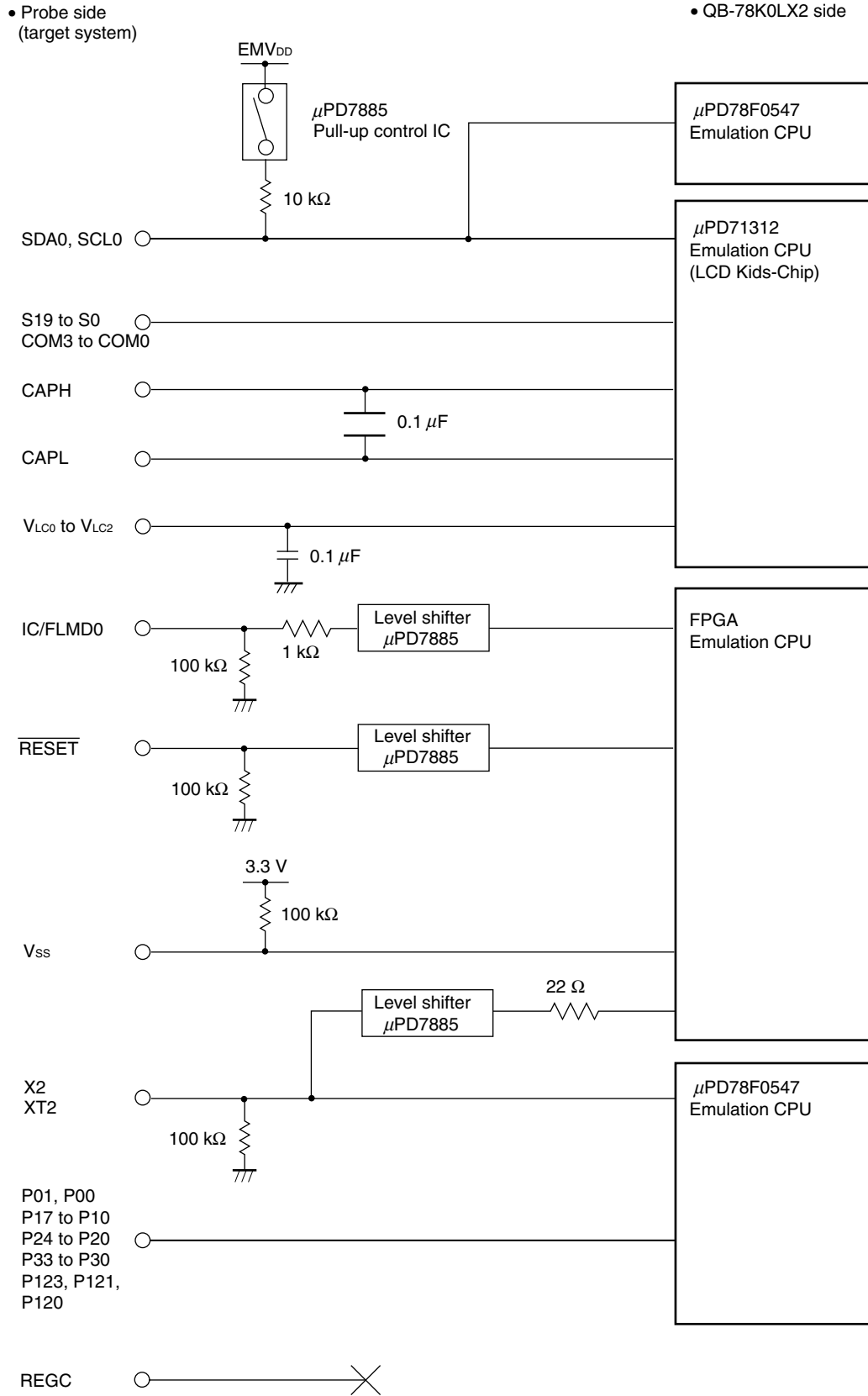


Figure 4-1. Emulation Circuit Equivalent Circuit 1 (2/2)



## 4.2 For 78K0/LF2 (with A/D) Emulation

For the signals in (1) and (2) below, see **Figure 4-2 Emulation Circuit Equivalent Circuit 2.**

### (1) Signals input and output by emulation CPU (FPGA, $\mu$ PD78F0547, $\mu$ PD71312)

- P01, P00
- P17 to P10
- P27 to P20
- P33 to P30
- P76 to P70
- P123, P121, P120
- S25 to S0
- COM3 to COM0
- $V_{LC0}$  to  $V_{LC2}$
- X2, XT2
- SDA0, SCL0
- CAPH, CAPL
- $\overline{\text{RESET}}$ , REGC,  $V_{SS}$ , IC/FLMD0

### (2) Other signals

- $V_{DD}$ ,  $LV_{SS}$ ,  $LV_{DD}$ ,  $AV_{SS}$ ,  $AV_{REF}$

**Figure 4-2. Emulation Circuit Equivalent Circuit 2 (1/2)**

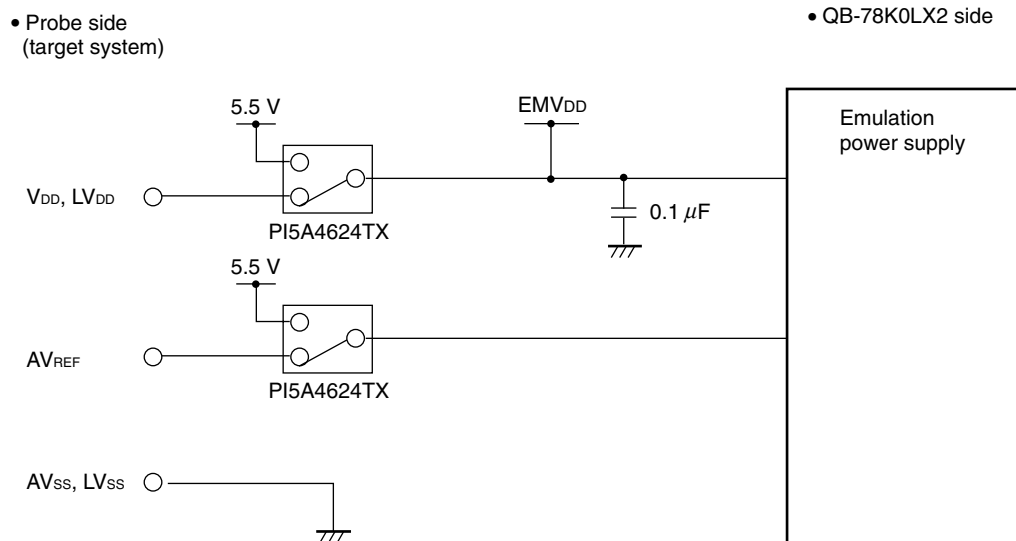
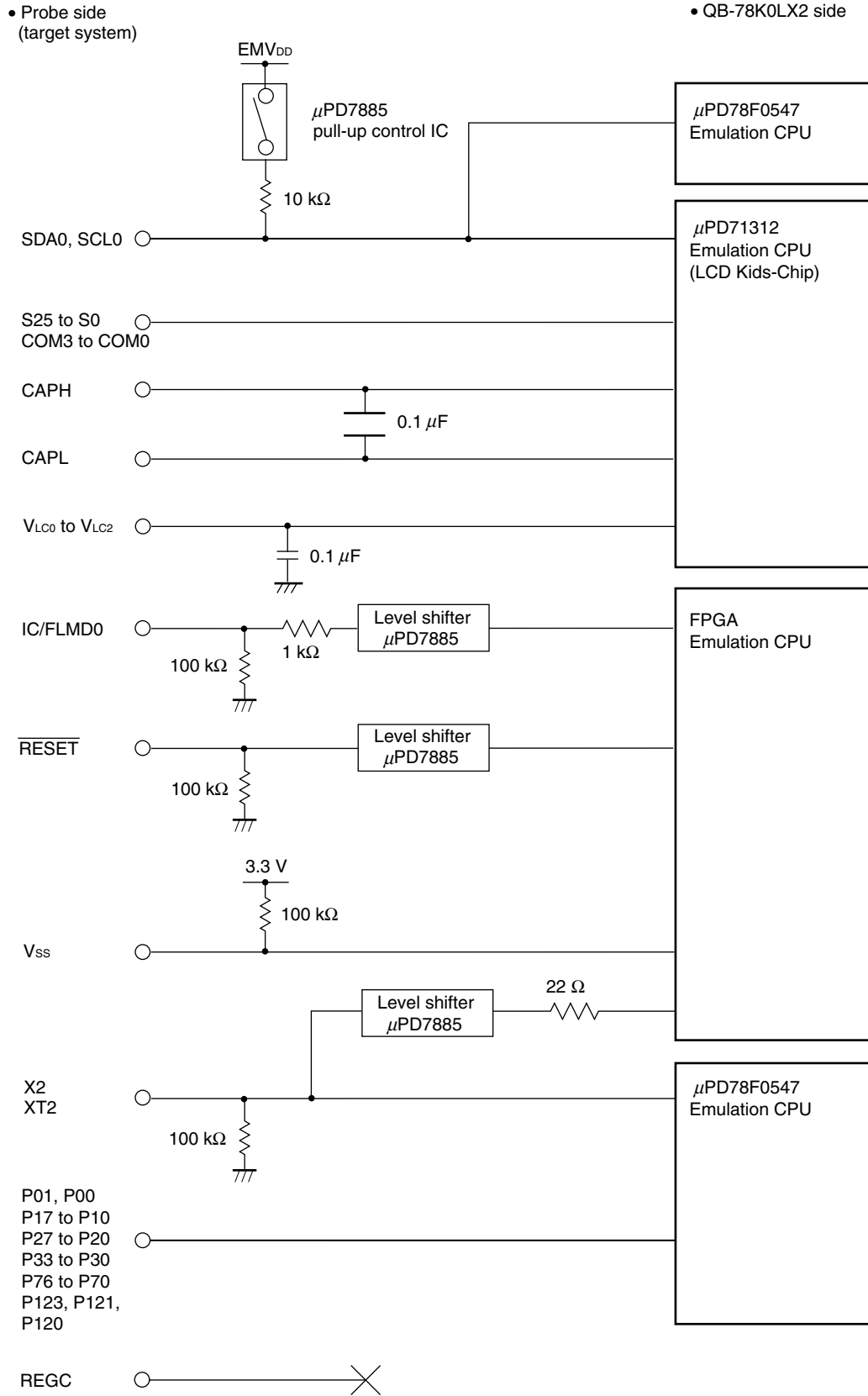


Figure 4-2. Emulation Circuit Equivalent Circuit 2 (2/2)



### 4.3 For 78K0/LF2 (without A/D) Emulation

For the signals in (1) and (2) below, see **Figure 4-3 Emulation Circuit Equivalent Circuit 3.**

#### (1) Signals input and output by emulation CPU (FPGA, $\mu$ PD78F0547, $\mu$ PD71312)

- P01 to P00
- P17 to P10
- P33 to P30
- P76 to P70
- P123, P121, P120
- S35 to S0
- COM3 to COM0
- $V_{LC0}$  to  $V_{LC2}$
- X2, XT2
- SDA0, SCL0
- CAPH, CAPL
- $\overline{\text{RESET}}$ , REGC,  $V_{SS}$ , IC/FLMD0

#### (2) Other signals

- $V_{DD}$ ,  $LV_{SS}$ ,  $LV_{DD}$

**Figure 4-3. Emulation Circuit Equivalent Circuit 3 (1/2)**

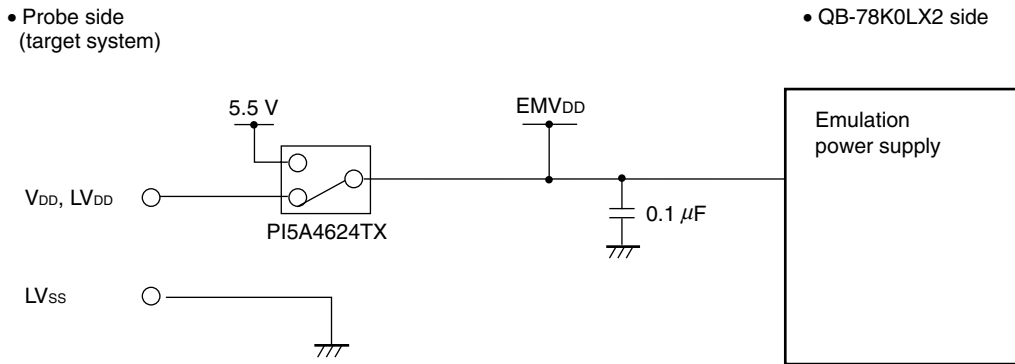
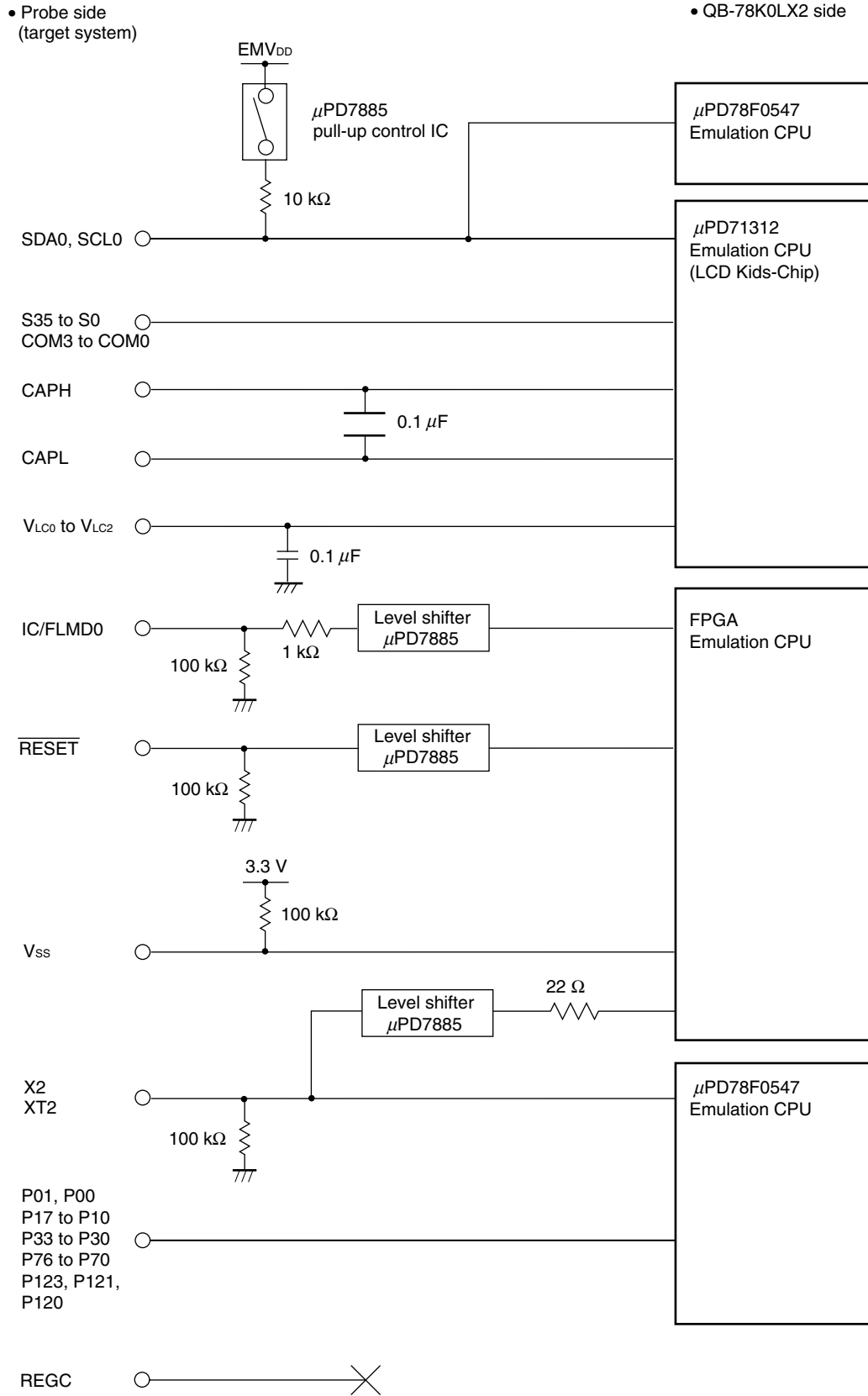




Figure 4-3. Emulation Circuit Equivalent Circuit 3 (2/2)



#### 4.4 For 78K0/LG2 Emulation

For the signals in (1) and (2) below, see **Figure 4-4 Emulation Circuit Equivalent Circuit 4.**

##### (1) Signals input and output by emulation CPU (FPGA, $\mu$ PD78F0547, $\mu$ PD71312)

- P06 to P00
- P17 to P10
- P27 to P20
- P33 to P30
- P77 to P70
- P123, P121, P120
- S39 to S0
- COM3 to COM0
- $V_{LC0}$  to  $V_{LC2}$
- X2, XT2
- SDA0, SCL0
- CAPH, CAPL
- $\overline{\text{RESET}}$ , REGC,  $V_{SS}$ , IC/FLMD0

##### (2) Other signals

- $V_{DD}$ ,  $LV_{SS}$ ,  $LV_{DD}$ ,  $AV_{SS}$ ,  $AV_{REF}$

**Figure 4-4. Emulation Circuit Equivalent Circuit 4 (1/2)**

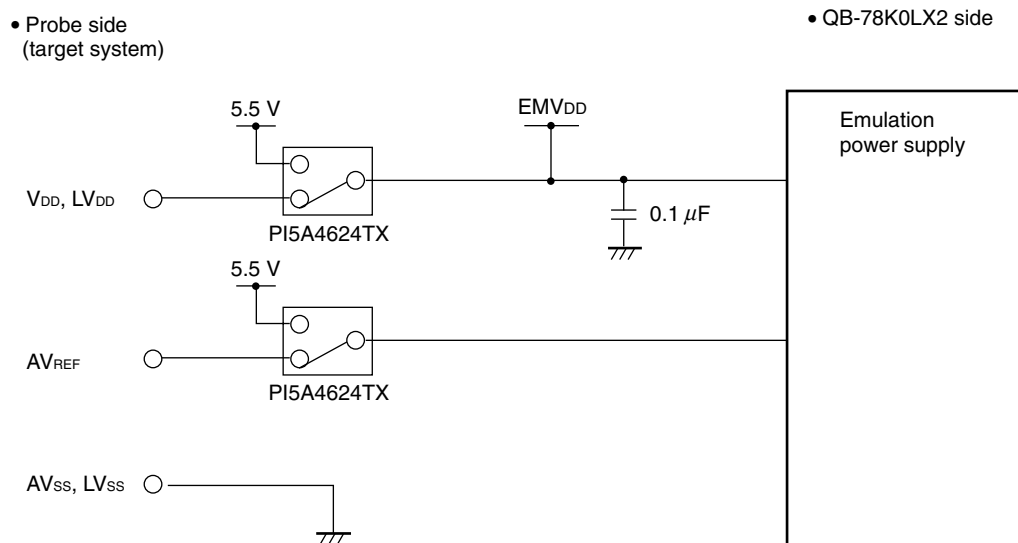
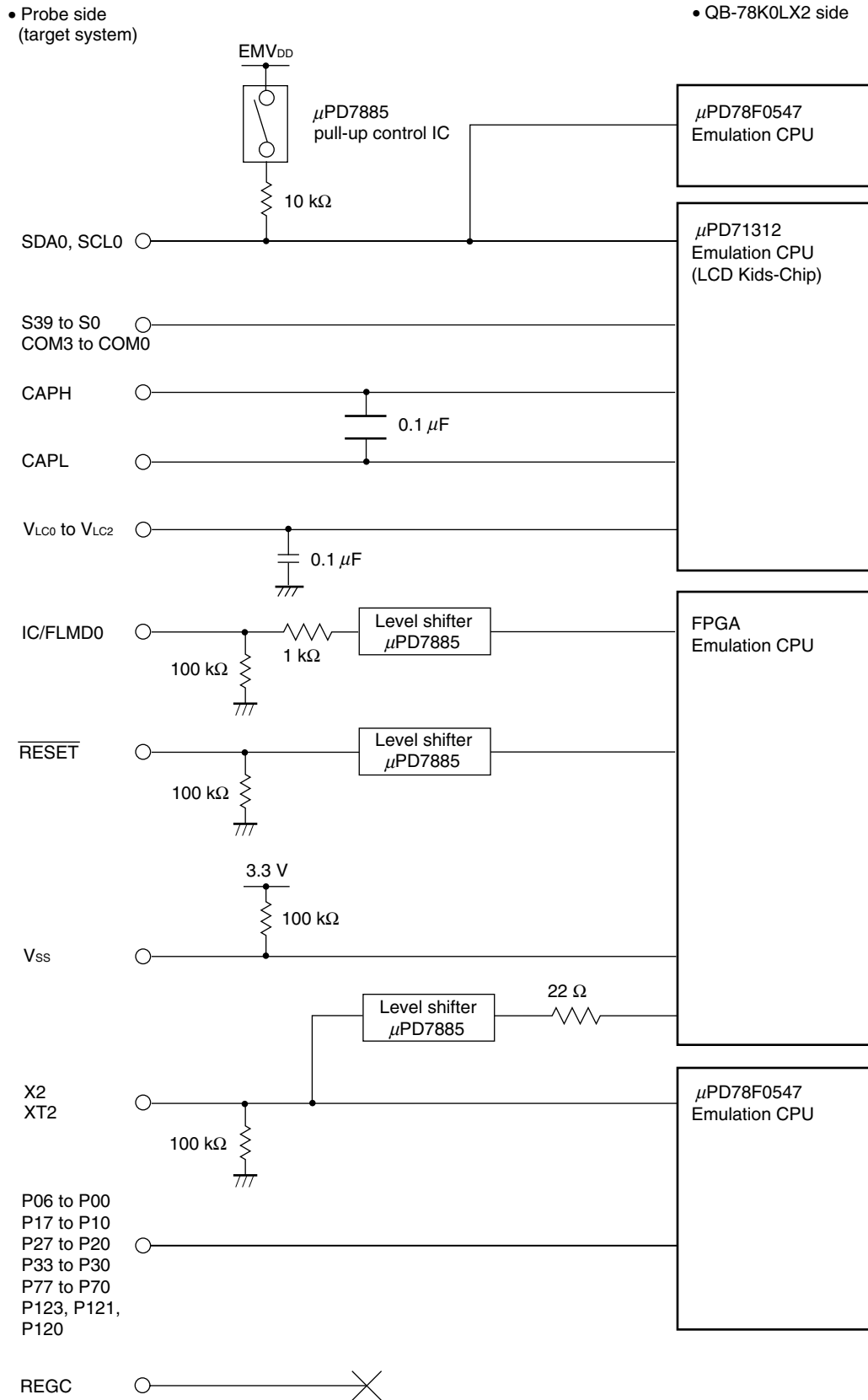


Figure 4-4. Emulation Circuit Equivalent Circuit 4 (2/2)



## CHAPTER 5 NOTES

Observe the following notes.

- Do not turn off the target power supply (do not allow it to become lower than the POC voltage) during a break (power supply can be turned off only during RUN).
- Since a voltage around 1.7 V is set as a threshold value for POC detection by the QB-78K0LX2, it is different from the POC detection voltage of the device.
- When inputting the external clock, input the square waveform with the same potential as the target device to the clock pins (X2, XT2).
- Even when using the product without connecting a target system, connect and use the emulation probe and exchange adapter.  
If the product is used without connecting the emulation adapter and exchange adapter, a warning window is displayed but use is possible.
- A WDT reset is not generated when an area for which the capacities of the internal ROM, internal high-speed ROM, and internal expansion RAM are not set with the IMS and IXS registers is illegally accessed. Emulation is performed with a fail-safe break.
- The QB-78K0LX2 may be damaged if  $AV_{REF}$  is applied before the target powers  $V_{DD}$  and  $LV_{DD}$  are applied.
- QB-78K0LX2 always connects a capacitor of 0.1  $\mu$ F across  $V_{LC0}$  and GND,  $V_{LC1}$  and GND,  $V_{LC2}$  and GND, and CAPH and CAPL. If a capacitor is connected to the target system, therefore, a time delay occurs and the characteristics differ from those of the target device.
- When performing debugging with QB-78K0LX2 alone and when selecting the resistor division mode, supply the LCD drive voltage (2.0 to 5.5 V) to  $V_{LC0}$ .  
 $EMV_{DD}$  (5.5 V) is supplied to  $V_{LC0}$  by connecting a check pin adapter board (optional) to QB-78K0LX2 and short-circuiting CP3 to CP15, and CP3 to CP22 of the check pin adapter board.

## APPENDIX A REVISION HISTORY

Revisions up to the previous edition are shown below. The “Applied to” column indicates the chapter in each edition to which the revision was applied.

Edition	Description	Applied to
2nd edition	Change of <b>Table 1-3. Devices Subject to Emulation by 78K0/Lx2</b>	CHAPTER 1 GENERAL
	<b>Figure 1-1. System Configuration</b> <ul style="list-style-type: none"> <li>• Change of figure and description</li> </ul>	
	<b>2.1 Names and Functions of Hardware</b> <ul style="list-style-type: none"> <li>• Addition of <b>Note</b> in (3) CN4</li> </ul>	CHAPTER 2 SETUP PROCEDURE
	<b>2.3.3 Main system clock</b> <ul style="list-style-type: none"> <li>• Addition of <b>Note</b> in (3) For using oscillator</li> </ul>	
	Addition of <b>Note</b> in <b>Table 3-1. Settings at Shipment</b>	CHAPTER 3 SETTINGS AT PRODUCT SHIPMENT
	Addition of <b>APPENDIX C REVISION HISTORY</b>	APPENDIX C REVISION HISTORY
3rd edition	Deletion of <b>1.3.1 AC adapter</b>	CHAPTER 1 GENERAL
4th edition	<b>1.3 System Configuration</b> <ul style="list-style-type: none"> <li>• Change of <b>Table 1-6. Emulation Probes</b> and <b>Table 1-10. Mount Adapters</b></li> <li>• Addition of Remark</li> </ul>	CHAPTER 1 GENERAL
	<b>1.4 Package Contents</b> <ul style="list-style-type: none"> <li>• Change of <b>Products supplied with QB-78K0LX2-ZZZ</b></li> </ul>	
	Change of <b>2.3 Clock Settings</b>	CHAPTER 2 SETUP PROCEDURE
	Deletion of <b>APPENDIX A NOTES ON TARGET SYSTEM DESIGN</b> and <b>APPENDIX B PACKAGE DRAWINGS</b> from a previous edition	–

*For further information,  
please contact:*

**NEC Electronics Corporation**

1753, Shimonumabe, Nakahara-ku,  
Kawasaki, Kanagawa 211-8668,  
Japan  
Tel: 044-435-5111  
<http://www.necel.com/>

**[America]**

**NEC Electronics America, Inc.**

2880 Scott Blvd.  
Santa Clara, CA 95050-2554, U.S.A.  
Tel: 408-588-6000  
800-366-9782  
<http://www.am.necel.com/>

**[Europe]**

**NEC Electronics (Europe) GmbH**

Arcadiastrasse 10  
40472 Düsseldorf, Germany  
Tel: 0211-65030  
<http://www.eu.necel.com/>

**Hanover Office**

Podbielskistrasse 166 B  
30177 Hannover  
Tel: 0 511 33 40 2-0

**Munich Office**

Werner-Eckert-Strasse 9  
81829 München  
Tel: 0 89 92 10 03-0

**Stuttgart Office**

Industriestrasse 3  
70565 Stuttgart  
Tel: 0 711 99 01 0-0

**United Kingdom Branch**

Cygnus House, Sunrise Parkway  
Linford Wood, Milton Keynes  
MK14 6NP, U.K.  
Tel: 01908-691-133

**Succursale Française**

9, rue Paul Dautier, B.P. 52180  
78142 Velizy-Villacoublay Cédex  
France  
Tel: 01-3067-5800

**Sucursal en España**

Juan Esplandiu, 15  
28007 Madrid, Spain  
Tel: 091-504-2787

**Tyskland Filial**

Täby Centrum  
Entrance S (7th floor)  
18322 Täby, Sweden  
Tel: 08 638 72 00

**Filiale Italiana**

Via Fabio Filzi, 25/A  
20124 Milano, Italy  
Tel: 02-667541

**Branch The Netherlands**

Steijgerweg 6  
5616 HS Eindhoven  
The Netherlands  
Tel: 040 265 40 10

**[Asia & Oceania]**

**NEC Electronics (China) Co., Ltd**

7th Floor, Quantum Plaza, No. 27 ZhiChunLu Haidian  
District, Beijing 100083, P.R.China  
Tel: 010-8235-1155  
<http://www.cn.necel.com/>

**NEC Electronics Shanghai Ltd.**

Room 2509-2510, Bank of China Tower,  
200 Yincheng Road Central,  
Pudong New Area, Shanghai P.R. China P.C:200120  
Tel: 021-5888-5400  
<http://www.cn.necel.com/>

**NEC Electronics Hong Kong Ltd.**

12/F., Cityplaza 4,  
12 Taikoo Wan Road, Hong Kong  
Tel: 2886-9318  
<http://www.hk.necel.com/>

**Seoul Branch**

11F., Samik Lavied'or Bldg., 720-2,  
Yeoksam-Dong, Kangnam-Ku,  
Seoul, 135-080, Korea  
Tel: 02-558-3737

**NEC Electronics Taiwan Ltd.**

7F, No. 363 Fu Shing North Road  
Taipei, Taiwan, R. O. C.  
Tel: 02-8175-9600  
<http://www.tw.necel.com/>

**NEC Electronics Singapore Pte. Ltd.**

238A Thomson Road,  
#12-08 Novena Square,  
Singapore 307684  
Tel: 6253-8311  
<http://www.sg.necel.com/>