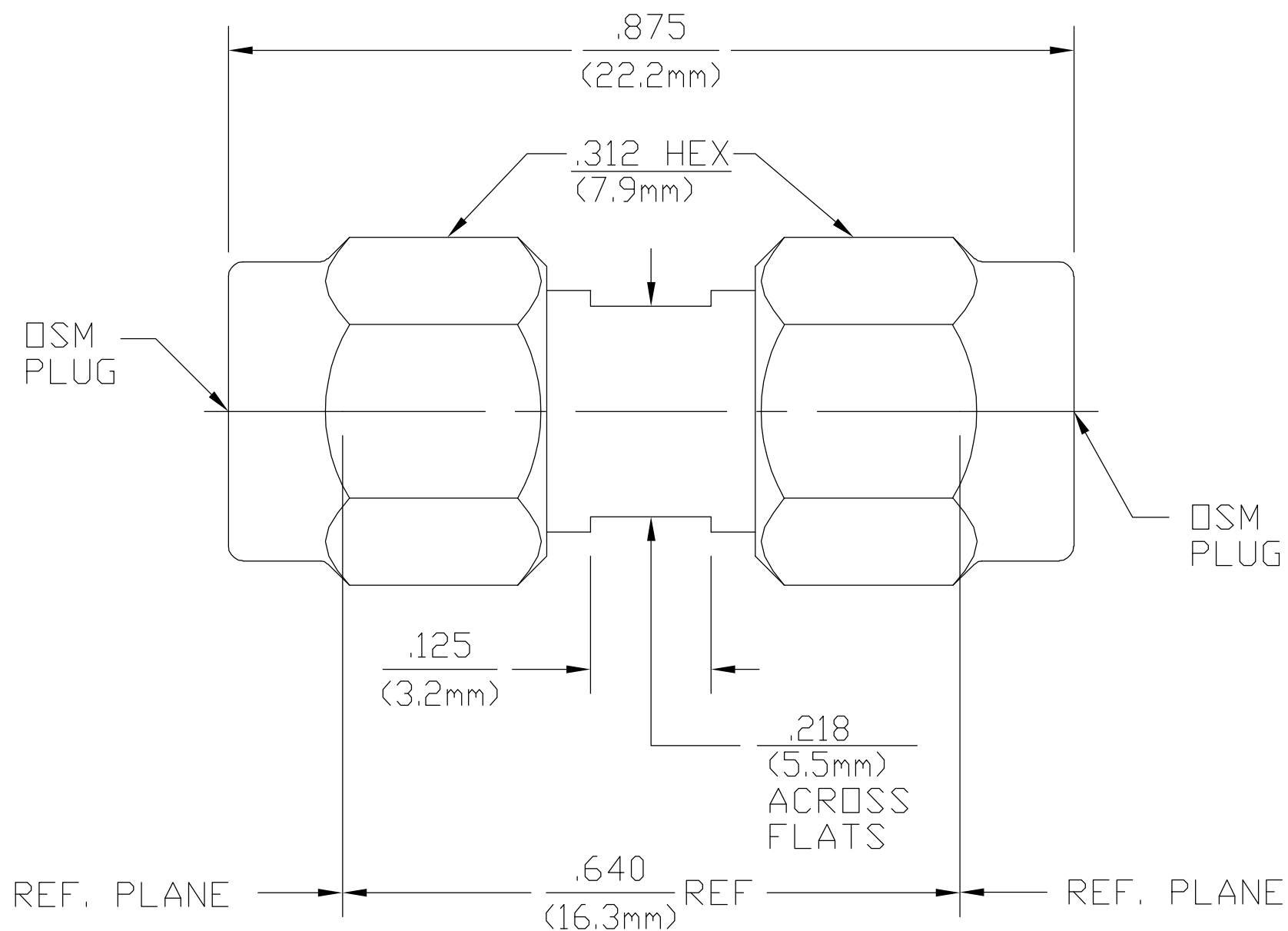


THIS DRAWING IS UNPUBLISHED. RELEASED FOR PUBLICATION
 © COPYRIGHT BY TYCO ELECTRONICS CORPORATION. ALL RIGHTS RESERVED.

| LOC | DIST | REVISIONS | | | | | |
|-----|------|-----------|-----|-----------------------|----------|-----|------|
| AJ | 00 | P | LTR | DESCRIPTION | DATE | DWN | APVD |
| | | B | | REV PER ECO 07-004710 | 3/2/2007 | DW | KW |



| ELECTRICAL | MECHANICAL | ENVIRONMENTAL |
|--|-----------------------------------|---|
| Nominal Impedance (Ohms) <u>50</u> | Interface Dimensions MIL-STD-348A | TEMPERATURE RATING <u>-65°C TO 165°C</u> |
| Frequency Range (GHz) <u>DC to 18.0</u> | FIG 310.1 | Vibration - MIL-STD-202, Method 204, Condition D |
| Volt Rating (VRMS MAX) <u>335</u> | Recommended Mating | Shock - MIL-STD-202, Method 213, Condition I |
| VSWR <u>1.05 + .005f(GHz) MAX</u> | Torque <u>7.0 to 10.0 In/Lbs</u> | Thermal shock MIL-STD-202, Method 107 Test Condition C |
| Insertion Loss (dB MAX) <u>.06 √f(GHz)</u> | Connector Engagement | Moisture Resistance - MIL-STD-202, Method 106, except Step 7b |
| RF Leakage <u>-[90-f(GHz)]</u> | <u>2.0 In/Lbs MAX</u> | (Vibration) shall be omitted |
| Corona, 70,000 Ft (VRMS MIN) <u>250</u> | Center Contact Captivation | Corrosion - MIL-STD-202, Method 101, Condition B, 5% salt spray |
| Dielectric Withstanding Voltage (VRMS MIN) <u>1500</u> | Axial <u>10 Lbs MIN</u> | |
| Contact Resistance (Milliohms MAX) | Radial <u>N/A</u> | |
| Center Contact <u>4.0</u> | Weight (Grams) <u>TBD</u> | |
| Outer Contact <u>2.0</u> | | |
| RF High Potential (VRMS MIN @ 5 MHz) <u>670</u> | | |
| I.R.(Megohms) <u>10,000</u> | | |

| HOUSING COUPLING NUT | STAINLESS STEEL PER ASTM-A484 AND ASTM-A582, TYPE 303 | PASSIVATE PER QQ-P-35 |
|----------------------|---|----------------------------|
| DIELECTRIC | PTFE FLUOROCARBON PER ASTM-D-1457 | N/A |
| CENTER CONTACT | BERYLLIUM COPPER PER ASTM B 196, ALLOY C17300, CONDITION H OR BRASS PER ASTM-B-16 | GOLD PLATE PER MIL-G-45204 |
| RETAINING RING | BERYLLIUM COPPER PER ASTM B 194, ALLOY C17200, CONDITION H | N/A |
| GASKET | SILICONE RUBBER PER ZZ-R-765 | N/A |
| COMPONENT | MATERIAL | FINISH |

THIS DRAWING IS A CONTROLLED DOCUMENT.

| | | |
|------|-------------|---------|
| DWN | B.M.EDWARDS | 8/31/90 |
| CHK | K.MAHER | 9/4/90 |
| APVD | S.TM | 9/5/90 |

tyco Electronics Tyco Electronics Corporation
Harrisburg, PA 17105-3608

NAME: OSM PLUG TO PLUG ADAPTER

| | | | |
|------|-----------|------------|---------------|
| SIZE | CAGE CODE | DRAWING NO | RESTRICTED TO |
| A2 | 00779 | C=1053640 | - |

CUSTOMER DRAWING SCALE 5:1 SHEET 1 of 1 REV B